

The ZRMAX is a high pressure, rotating, zero-degree nozzle. The unique internal design allows aim-and-spray operation, even when cleaning overhead, and permits easy replacement of all wear parts. Sized according to flow rate, a ZRMAX is perfect for your toughest cleaning tasks.

SPECIFICATIONS

Part Number:

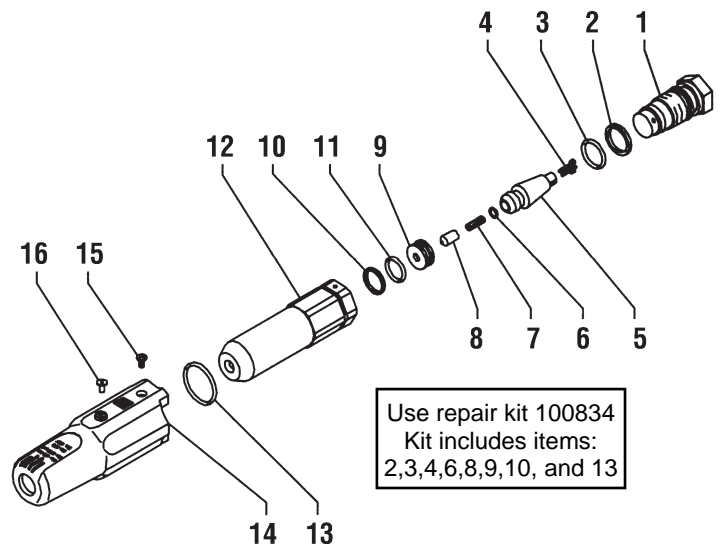
	PSI	1450	2175	2900	3625	4350	5075	5800
ZRMAX581		2.3	2.8	3.3	3.7	4.0	4.4	4.7
ZRMAX583		3.3	4.0	4.7	5.2	5.7	6.2	6.6
		GPM						



Maximum Pressure	5800 PSI
Maximum Flow	6.6 GPM
Maximum Temperature	176°F
Port Sizes: Inlet	1/4-19 BSPP-F
Dimensions	Ø1.5" O.D. x 4.1" long
Weight	0.75 lb.
Material	Brass, Plastic, Ceramic, Buna-N

PARTS LIST

Item	Part Num.	Description	Qty.
1.	10060570	Inlet Nipple, 1/4" – ZRMAX581	1
	10060970	Inlet Nipple, 1/4" – ZRMAX583	1
2.	90508500	Anti-extrusion Ring	1
3.	90359100	O-ring	1
4.	10045351	Valve	1
5.	10056402	Rotor	1
6.	90357400	O-ring	1
7.	98667400	Nozzle, 140 Red – ZRMAX581	1
	98678000	Nozzle, 160 Black – ZRMAX583	1
8.	10045609	Tip, Rotor	1
9.	10060602	Seat	1
10.	90507500	Anti-extrusion Ring	1
11.	90358900	O-ring	1
12.	10060470	Body	1
13.	90360200	O-ring	1
14.	10060251	Cover, Red	1
15.	99070200	Screw	1
16.	98190500	Plug, Red – ZRMAX581	1
	98190900	Plug, Black – ZRMAX583	1



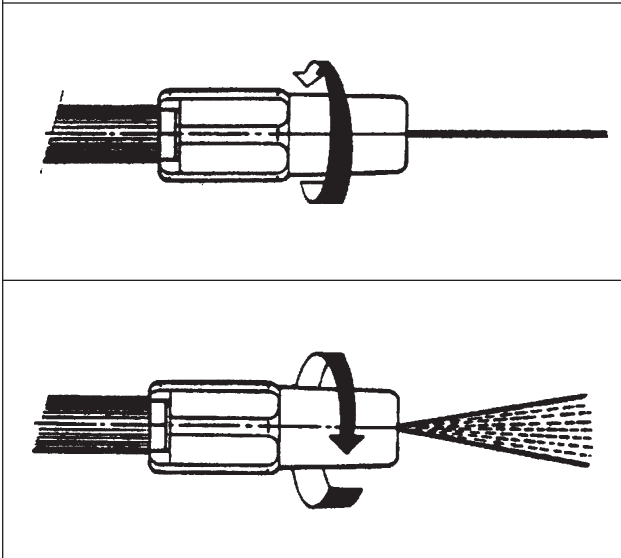
ZRMAX

High Pressure Rotating Nozzle

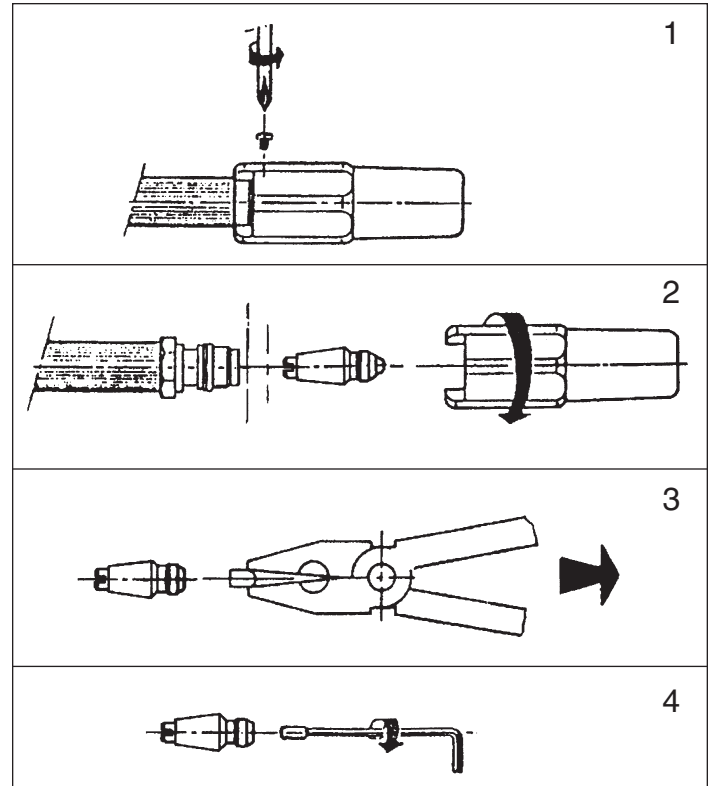
GENERAL PUMP *A member of the Interpump Group*

USING the ZRMAX

Regulation of the Rotation Jet



CLEANING & CHANGING NOZZLE



IMPORTANT

When installing the ZRMAX, please note:

Do not tighten the ZRMAX by the plastic cover; use a wrench on the hex portion of the inlet nipple (#1 on parts drawing). This will avoid stripping the holding screw on the plastic cover.