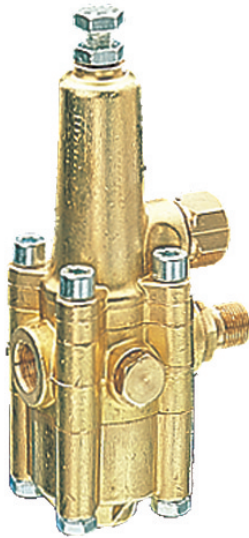


ZK7 UNLOADER VALVE

ZK7.0	2.1 - 2.9 GPM @ 0 - 3500* PSI
ZK7.1	2.9 - 4.2 GPM @ 0 - 3500* PSI
ZK7.2	4.2 - 6.6 GPM @ 0 - 3500* PSI
ZK7.3	6.6 - 10.8 GPM @ 0 - 3500* PSI



- Features all stainless and brass internal parts.
- New design reduces sensitivity to entrapped air.
- No external moving parts or springs.
- Eliminates high pressure in all lines while unit is in bypass mode.
- Bypass restrictor eliminates pressure peaks during bypass.
- Unique balanced piston design permits precise pressure adjustments.
- Simple design for easy maintenance and service.

General Pump recommends using a safety relief device in conjunction with this unloader valve when installed on a positive displacement pump. General Pump is not liable and assumes no responsibility for this valve when used in a customer's high pressure system.

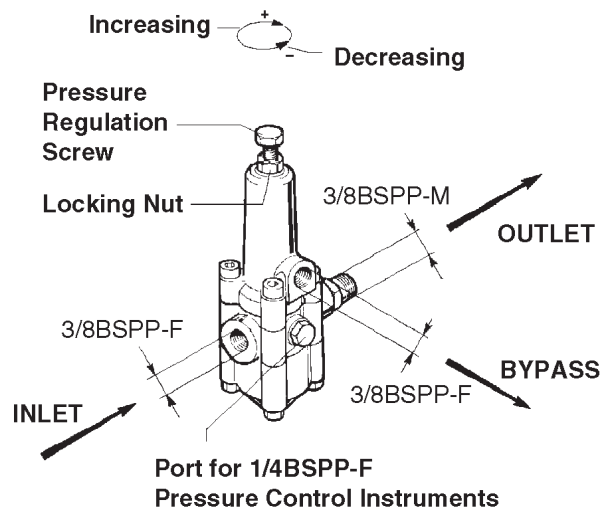
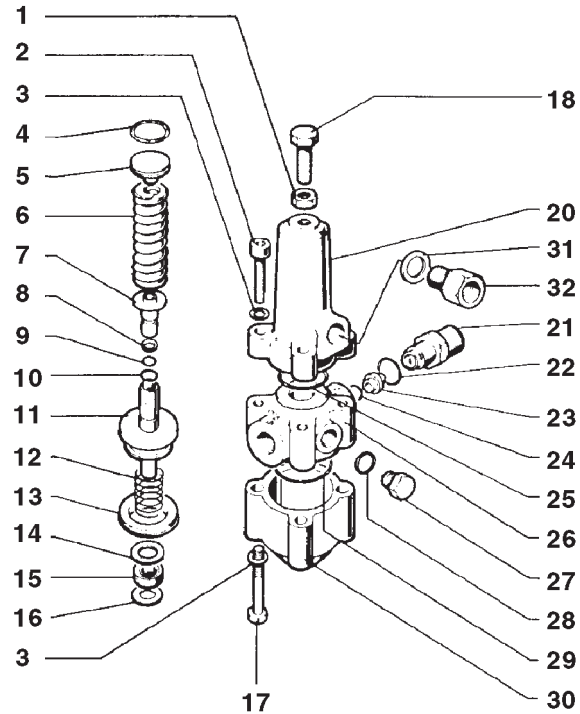
SPECIFICATIONS

Part Number	ZK7.0	ZK7.1	ZK7.2	ZK7.3
Maximum Volume	2.1-2.9 GPM	2.9-4.2 GPM	4.2-6.6 GPM	6.6-10.8 GPM
Maximum Discharge Pressure *	0-3500 PSI	0-3500 PSI	0-3500 PSI	0-3500 PSI
Max. Temperature	165°F	165°F	165°F	165°F
Port Sizes:				
Inlet	3/8-19 BSPP - F	3/8-19 BSPP - F	3/8-19 BSPP - F	3/8-19 BSPP - F
Bypass	3/8-19 BSPP - F	3/8-19 BSPP - F	3/8-19 BSPP - F	3/8-19 BSPP - F
Outlet	3/8-19 BSPP - M	3/8-19 BSPP - M	3/8-19 BSPP - M	3/8-19 BSPP - M
Dimensions	7.50 x 3.75 x 3.50 in.	7.50 x 3.75 x 3.50 in.	7.50 x 3.75 x 3.50 in.	7.50 x 3.75 x 3.50 in.
Weight	4.5 lb.	4.5 lb.	4.5 lb.	4.5 lb.

* Maximum Pressure 3500 psi when valve is marked GPV. Unmarked valves are 3000 psi rated.

PARTS LIST

ZK7 Unloader Valve				
NO.	PART NO.	DESCRIPTION	KIT NO.	QTY.
1.	92236800	Nut		1
2.	99308400	Screw		4
3.	96701400	Washer		8
4.	90384900	O-Ring	70	1
5.	36309570	Spring Plate		1
6.	94746600	Spring		1
7.	36309466	Seat Valve	70	1
8.	90505200	Anti-Extrusion Ring	70	1
9.	90382000	O-Ring	70	1
10.	90358200	O-Ring	70	1
11.	36309702	Piston Assembly	70	1
12.	94746400	Spring	70	1
13.	90276600	Packing	70	1
14.	96721500	Washer		1
15.	90256500	Packing	70	1
16.	90506300	Anti-Extrusion Ring	70	1
17.	99312700	Screw		4
18.	99366300	Screw		1
20.	36309041	Upper Body		1
21.		Nipple		1
	10007870	ZK7.0 , 3/8 BSPP, Ø3.0 mm		
	10007870	ZK7.1 , 3/8 BSPP, Ø3.0 mm		
	10016070	ZK7.2 , 3/8 BSPP, Ø3.25 mm		
	10016170	ZK7.3 , 3/8 BSPP, Ø3.5 mm		
22.	90383300	O-Ring	70	1
23.		Nozzle		1
	10007666	ZK7.0 , Ø2.2 mm		
	10007766	ZK7.1 , Ø2.5 mm		
	10016266	ZK7.2 , Ø2.75 mm		
	10016366	ZK7.3 , Ø3.0 mm		
24.	90382300	O-Ring	70	1
25.	90386300	O-Ring	70	1
26.	36309141	Central Body		1
27.	98204100	Cap Screw		2
28.	90358500	O-Ring	70	2
29.	90387100	O-Ring	70	1
30.	36309241	Lower Body		1
31.	96738000	Washer		1
32.		Nipple		1
	36311770	ZK7.0 , 3/8 BSPP		
	36311670	ZK7.1 , 3/8 BSPP		
	36311870	ZK7.2 , 3/8 BSPP		
	36311970	ZK7.3 , 3/8 BSPP		
Repair Kit 70				
Includes No.'s: 4, 7, 8, 9, 10, 11, 12, 13, 15, 16, 22, 24, 25, 28, 29				



INSTALLATION

Select an unloader appropriate for the pressure and flow of your system (see specification chart). This unloading valve is a flow-through design and should be mounted on the discharge line of the pump in any position (horizontal or vertical) which allows easy access to the adjusting bolt. A pressure gauge should be installed on either side of the body of the unloader to accurately read pressure during adjustment. **Minimum 5% bypass is required for proper operation.**