

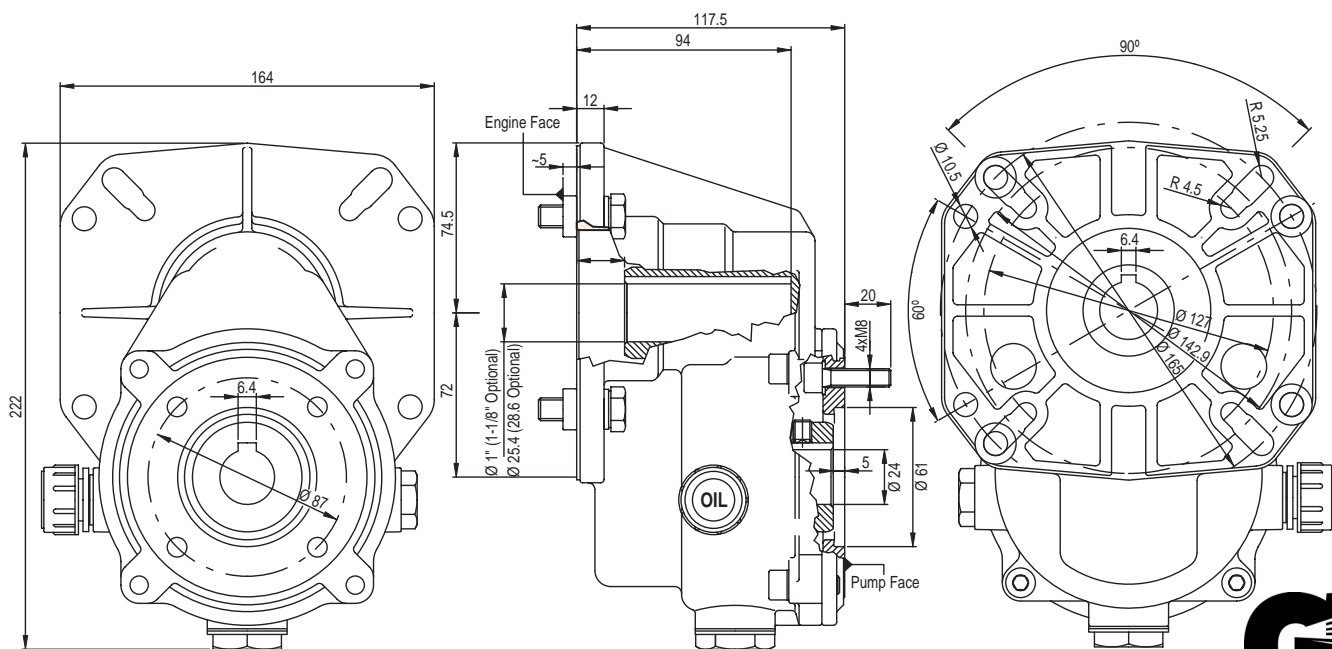
FEATURES

- Compact and lightweight
- Hardened steel helical gears for quiet operation
- Oil bath lubrication
- Dual bearing design for extended life
- J609a Flange mounts to most gasoline engines

SPECIFICATIONS

Part Number	YGR1000	YGR1000P	YGR1125	YGR1125P
Drive Ratio	2.176:1			
Horsepower	11-18	18-24	11-18	18-24
Input (motor) Shaft Ø"	1.0" / 25.4 mm		1.125" / 28.6 mm	
Output (pump) Shaft Ø"	24 mm			
Motor Flange (SAE)	J609a			
Pump Flange	Fits 47, 47SS, and 66 Series General Pump			
Oil Grade	SAE90 Gear Lube			
Oil Capacity	10 oz			
Weight	5.8 lbs			

DIMENSIONAL DRAWING

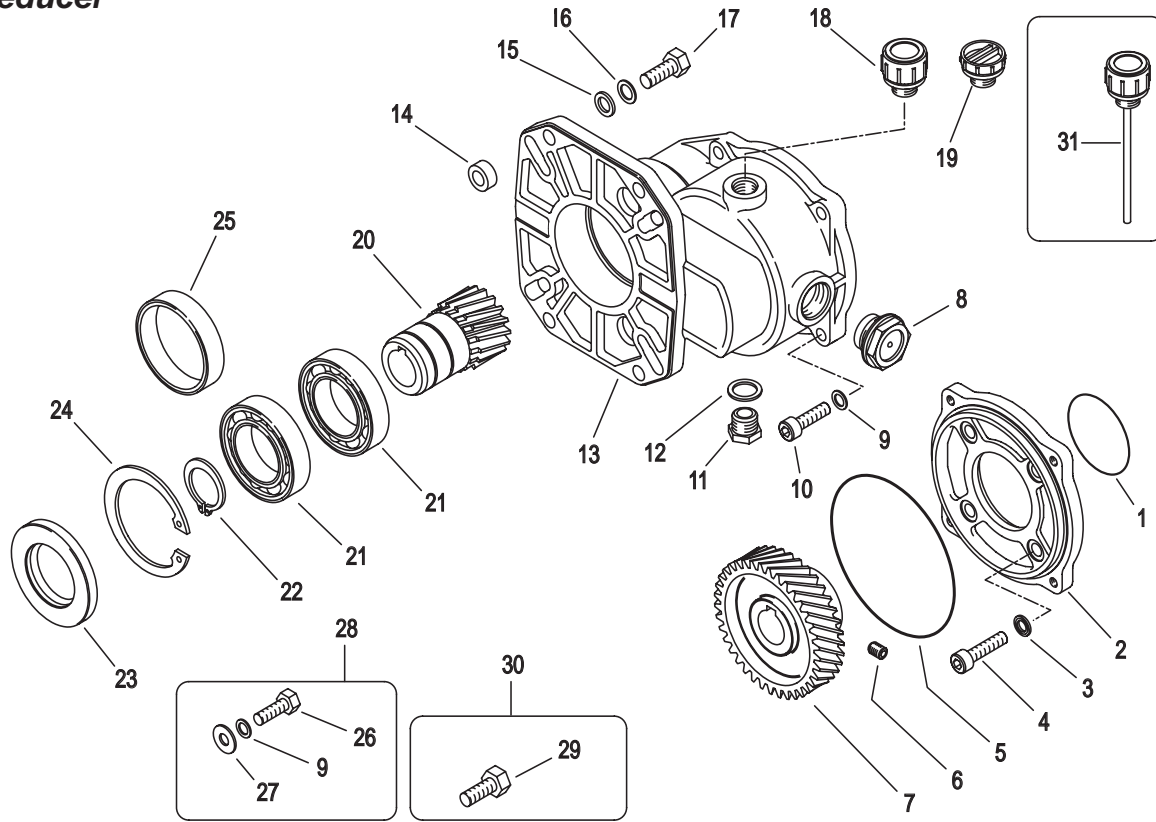


YGR1000/1125

Gear Reducer

GENERAL PUMP

A member of the Interpump Group



PARTS LIST

Item	Part Number	Description	Qty	Item	Part Number	Description	Qty
1	Y10321056	O-ring	1	18	Y15372600	Oil plug+seal	1
2	Y50000244	Flange	1	19	Y15372500	3/8" plas.cap	1
3	Y14409800	8 mm sealing washer	4	20	Y50000621	1" gear	1
4	Y16195831	M8 x 30 mm screw	4		Y50000721	1-1/8" gear	1
5	Y10321111	O-ring	1	21	Y11444068	Bearing (standard)	2
6	Y16222300	M8 x 10mm screw	1		Y11444168	Bearing ("P" models)	2
7	Y50000365	37 gear	1	22	Y10104000	Elas.ring 40 mm	1
8	Y15373400	Oil plug	1	23	Y10204072	40 mm seal	1
9	Y14365200	8.4 mm washer	8	24	Y10107200	Elas.ring 72 mm	1
10	Y16195826	M8 x 25 mm screw	4	25	Y50010161	68 mm spacer	1
11	Y60002831	3/8 Bsp plug	1	26	Y16200900	5/16" x 1" screw	4
12	Y14404200	Washer 16 x 22 mm	1	27	Y14357200	Washer 8.4 x 20 mm	4
13	Y50000144	Al.housing	1	28	Y50001024	Kit 5/16" D.127mm	1
14	Y50000831	Spacer	4	29	Y16203500	M 10 screw	4
15	Y14379800	10 x 17 mm washer	4	30	Y50001124	Kit d.135mm M10	1
16	Y14365300	10.5 mm washer	4	31	Y15372800	Oil plug	1
17	Y16201000	3/8" x 1-1/4"	4				

Ref 300178 Rev. D
01-06

GENERAL PUMP 1174 Northland Drive • Mendota Heights, MN 55120
Phone: (651)686-2199 • Fax: (800)535-1745 • e-mail: sales@gpcompanies.com • www.generalpump.com

