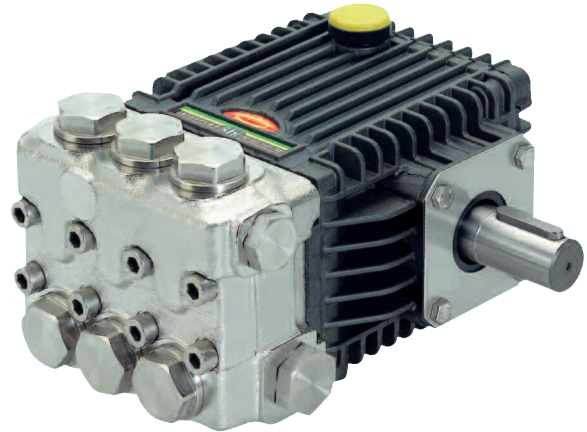


### FEATURES

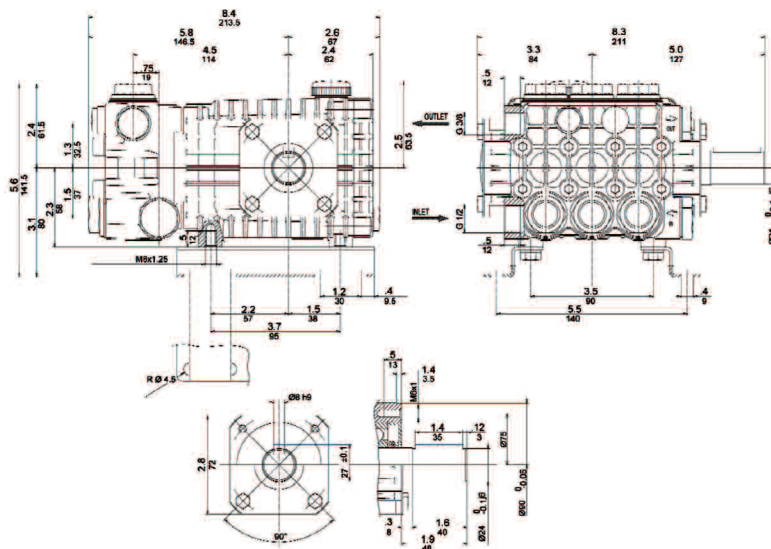
- 316 Stainless Steel manifold for maximum corrosion resistance
- Stainless Steel inlet and outlet valves
- Solid ceramic plungers
- Ball bearings on both sides
- Low- and high-pressure HT seals



### SPECIFICATIONS

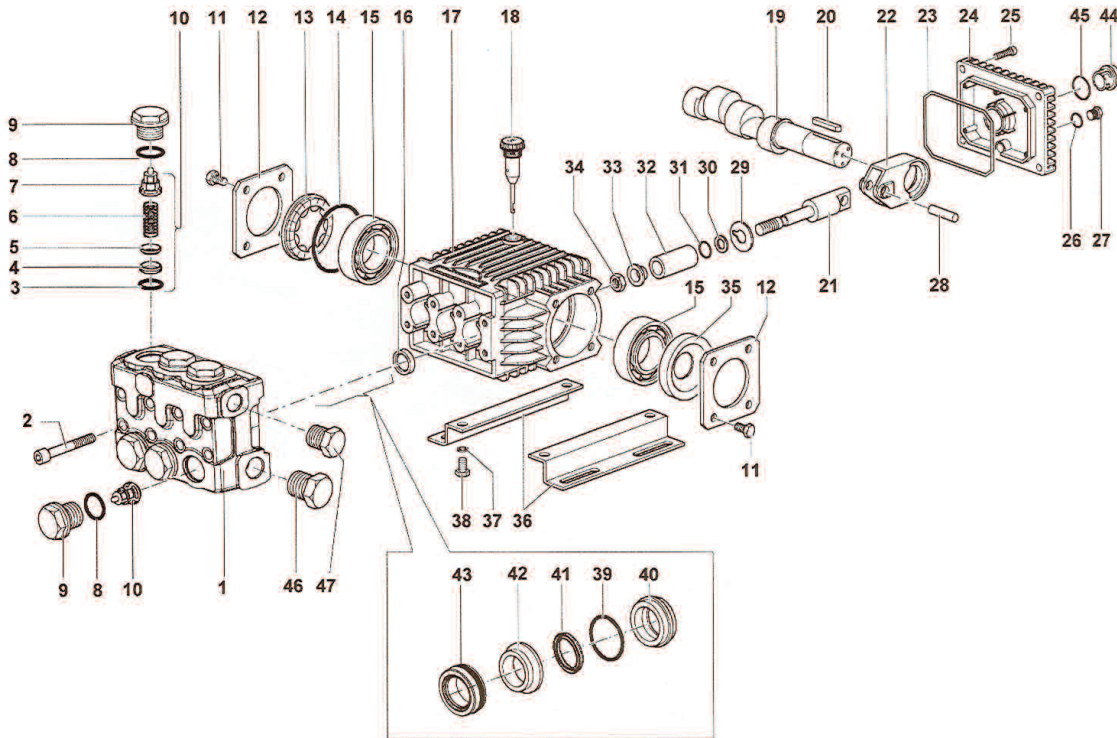
Pump Model	TX1510S17SS	TX1512S17SS	TX1810S17SS	TX1812S17SS
Maximum Volume	2.1 GPM	2.6 GPM	3.1 GPM	3.8 GPM
Maximum Discharge Pressure	2200 PSI		2000 PSI	
Horsepower	4.3 EBHP	5.3 EBHP	4.2 EBHP	5.2 EBHP
Maximum Pump Speed	1750 RPM			
Maximum Inlet Pressure	125 PSI			
Maximum Inlet Vacuum	3 ft. water (2.6 in. Hg)			
Plunger Bore	.591 in./15 mm		.709 in./18 mm	
Plunger Stroke	.394 in./10 mm	.472 in./12mm	.394 in./10 mm	.472 in./12mm
Crankcase Oil Capacity	14.0 oz.			
Maximum Fluid Temperature	165° F			
Inlet Port Thread	1/2"-14 BSP-F			
Discharge Port Thread	3/8"-19 BSP-F			
Shaft Diameter	.945 in./24 mm			
Weight	22.3 lbs.			
Dimensions	8.4" x 8.3" x 4.8"			

### DIMENSIONAL DRAWING



General Pump  
is a member of  
the Interpump Group





## PARTS LIST

ITEM	PART NO.	DESCRIPTION	QTY.	ITEM	PART NO.	DESCRIPTION	QTY.	ITEM	PART NO.	DESCRIPTION	KIT NO.	QTY.
1.	63121636	Manifold, 15 mm	1	21.	63050166	Plunger Guide	3	41.	90215000	Seal, 15 mm, L.P.	3	
	63121936	Manifold, 18 mm		22.	63030022	Connecting Rod	3		90220000	Seal, 18 mm, L.P.	3	
2.	99319300	Screw, M8 x 65	8	23.	90392000	O-ring, Cover	1	42.	63216466	Intermediate Ring, 15 mm	3	
3.	90384100	O-ring, Ø 17.13 x 2.62	6	24.	63160022	Rear Crankcase Cover	1		63216566	Intermediate Ring, 18 mm	3	
4.	36203666	Valve Seat, SS	6	25.	99183800	Screw, M6 x 14	4	43.	90216000	Seal, 15 mm, H.P.	3	
5.	36200176	Valve Plate	6	26.	90358500	O-ring, Ø 10.82 x 1.78	1		90221000	Seal, 18 mm, H.P.	3	
6.	94737300	Spring, SS	6	27.	98204000	Plug, G1/4 x 9	1	44.	63210051	Oil Level Indicator	1	
7.	36202551	Valve Cage	6	28.	97733500	Connecting Rod Pin	3	45.	90405100	O-ring, Ø 26.58 x 3.53	1	
8.	90384700	O-ring	6	29.	96707600	Flinger Washer	3	46.	98218000	Plug, 1/2" G	1	
9.	98222900	Valve Cap	6	30.	90502200	Anti-extrusion Ring	3	47.	98210066	Plug, 3/8" G	1	
10.	36713001	Valve Assembly, SS	6	31.	90357300	O-ring, Ø 5.28 x 1.78	3					
11.	99180800	Screw, M6 x 10	8	32.	52040009	Plunger, 15 mm	3					
12.	63150076	Bearing Cover	2		44040109	Plunger, 18 mm	3					
13.	44211801	Oil Level Indicator	1	33.	63211566	Bushing	3					
14.	90409700	O-ring, Ø 55.56 x 3.53	1	34.	92221500	Nut, M8	3					
15.	91833100	Ball Bearing	2	35.	90164100	Oil Seal	1					
16.	90159500	Oil Seal, Ø 18 x 26 x 6	1	36.	50200074	Rail	2					
17.	63010022	Crankcase	3	37.	96701600	Lockwasher, M8	4					
18.	98210300	Oil Dip Stick	1	38.	99903700	Screw, M8 x 16	4					
19.	63021265	Crankshaft, 10 mm	1	39.	90360800	O-ring, Ø 28.30 x 1.78	3					
	63021665	Crankshaft, 12 mm	1	40.	63080666	Seal Retainer, 15 mm, SS	3					
20.	91489200	Key	1		63080766	Seal Retainer, 18 mm, SS	3					

## REPAIR KITS

KIT NO.	159	192	214 or 204		215 or 216	
			(15 mm)	(18 mm)	(15 mm)	(18 mm)
ITEM NO's INCLUDED IN KIT	16	3, 4, 5, 6, 7 (10)	41, 43		39, 40, 41, 42, 43	
NUMBER OF ASSEMBLIES IN KIT	3	6	3		1	

## TORQUE SPECS\*

Pos.	Ft/lb	N-M
2	14.7	20
9	95.9	130
11	7.3	10
25	7.3	10
27	14.7	20
34	11.0	15
38	14.7	2
46	29.4	40
47	29.4	40

\* Decrease torque by 20% if threads are lubricated