

FEATURES

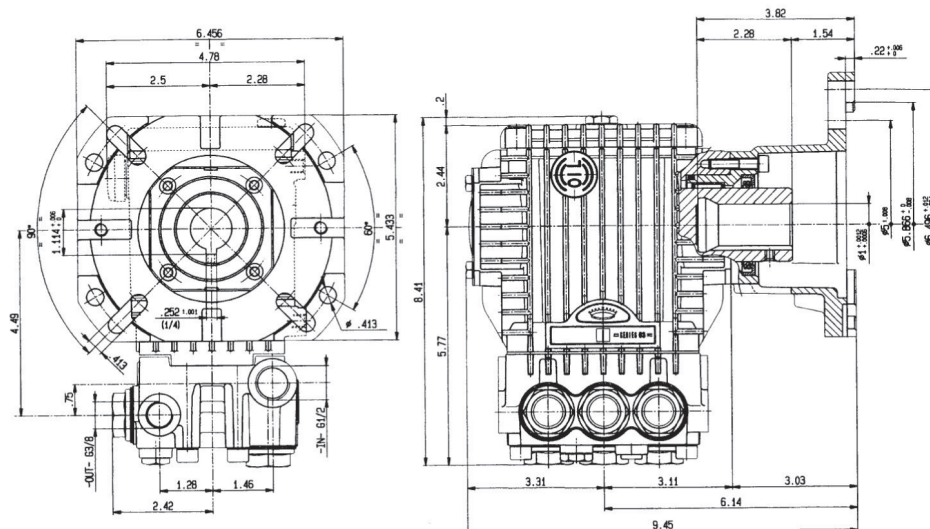
- Flanged for direct couple to gasoline engines (SAE J609)
- Set screw for key way
- Oversized bearings for long life
- New generation seal system for longer life
- Forged brass manifold with an exclusive lifetime warranty



SPECIFICATIONS

Pump Model	TX1506G8	TX1508G8	TX1510G8
Maximum Volume	2.6 GPM	3.0 GPM	4.0 GPM
Maximum Discharge Pressure	3000 PSI		
Horsepower	8.0 GBHP	9.2 GBHP	12.3 GBHP
Maximum Pump Speed	3400 RPM		
Maximum Inlet Pressure	125 PSI		
Minimum Inlet Pressure	Flooded		
Plunger Bore (in / mm)	.591 in. / 15 mm		
Plunger Stroke (in / mm)	.256 in. / 6.5 mm	.315 in. / 8 mm	.394 in. / 10 mm
Oil Capacity	14.0 oz		
Maximum Fluid Temperature	165°F		
Inlet Port Thread	1/2" BSP-F		
Discharge Port Thread	3/8" BSP-F		
Shaft Diameter	1.0 in. / 25.4 mm		
Weight	18 lbs		
Dimensions	8.4 x 8.4 x 6.5 in		

DIMENSIONAL DRAWING

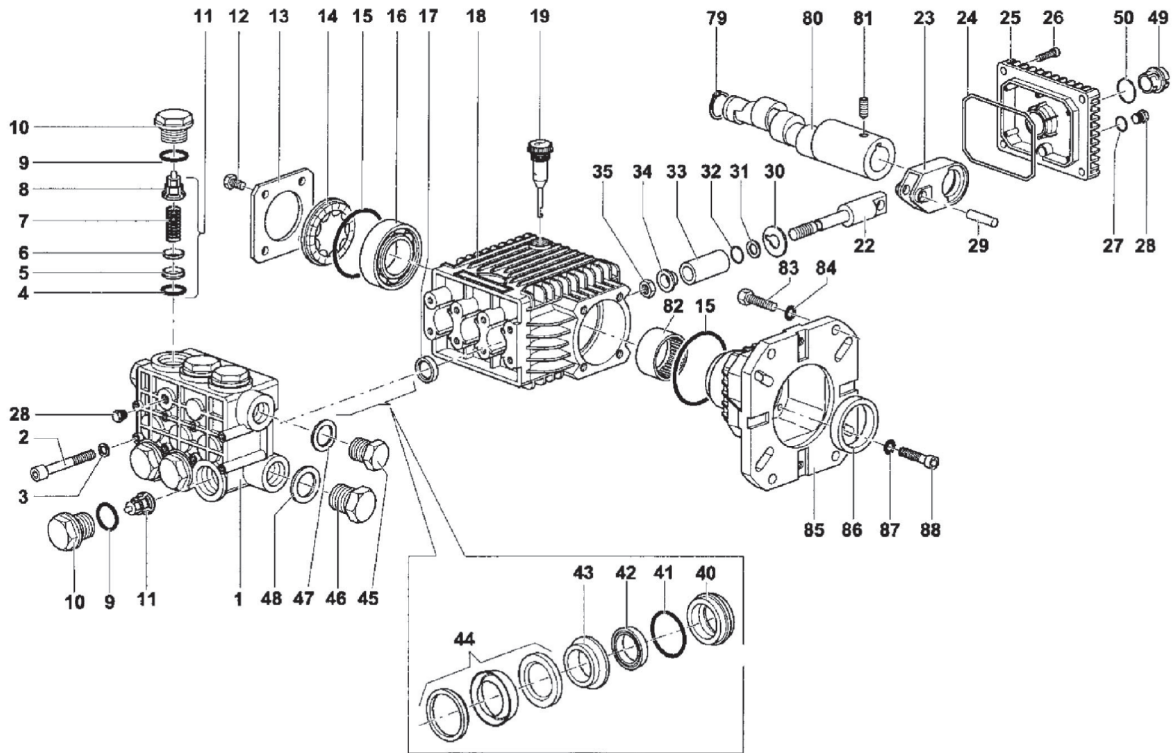


TRIPLEX

TRIPLEX

TX Series "63" - 1" Hollow

GENERAL PUMP *A member of the Interpump Group*



PARTS LIST

ITEM	PART NO.	DESCRIPTION	KIT NO.	QTY.	ITEM	PART NO.	DESCRIPTION	KIT NO.	QTY.	ITEM	PART NO.	DESCRIPTION	KIT NO.	QTY.
1.	63120041	Manifold, 15 mm		1	22.	63050066	Plunger Guide		3	45.	98210000	Plug, 3/8" G		1
2.	99319200	Screw, M8 x 65		8	23.	63030022	Connecting Rod		3	46.	98217600	Plug, 1/2" G		1
3.	96701400	Lockwasher, M8.4		8	24.	90392000	O-ring, Cover		1	47.	96738000	Washer, M17.5		1
4.	90384100	O-ring	123	6	25.	63160022	Rear Crankcase Cover		1	48.	96751400	Washer, M21.5		1
5.	36200366	Valve Seat	123	6	26.	99183700	Screw, M6 x 14		4	49.	63210051	Oil Level Indicator		1
6.	36200176	Valve Plate	123	6	27.	701013	O-ring		1	50.	90405100	O-ring		1
7.	94737600	Spring	123	6	28.	98204100	Plug, 1/4" G		2	79.	90063500	Retaining Ring		1
8.	36202551	Valve Cage	123	6	29.	97733500	Connecting Rod Pin		3	80.	63027765	Crankshaft, 6.5		1
9.	90384700	O-ring	124	6	30.	96707500	Flinger Washer		3		63028065	Crankshaft, 8		1
10.	98222600	Valve Cap	124	6	31.	660024	Anti-extrusion Ring		3		63028465	Crankshaft, 10		1
11.	36711501	Valve Assembly	123	6	32.	701009	O-ring		3	81.	99179000	Screw, M6x6		1
12.	99180700	Screw, M6 x 10		8	33.	52040009	Ceramic Plunger, 15mm		3	82.	91856800	Roller Bearing		1
13.	50150074	Bearing Cover		2	34.	44211570	Bushing		3	83.	99334500	Screw, 3/8 x 1"		4
14.	44211801	Oil Level Indicator		1	35.	92221600	Nut, M8		3	84.	96710400	Washer		4
15.	90409700	O-ring		1	40.	63080070	Seal Retn'r, 15mm	162,166	3	85.	10051822	Flange, 1", Gas Engine		1
16.	91832900	Ball Bearing		2	41.	90360800	O-ring	166,167	3	86.	9016900	Oil Seal		1
17.	90159500	Oil Seal	159	3	42.	90260800	Seal, LP,15mm	160,166	3	87.	96693800	Washer		4
18.	63010022	Crankcase		1	43.	63216070	Int. Ring,15mm	164,166	3	88.	99191200	Screw, M6 x 30		4
19.	98210300	Oil Dip Stick		1	44.	90261200	Packing Assy,15mm	160,166	3					

REPAIR KITS

KIT NO.	K123	K124	K159	K160	K162	K164	K166
ITEM NO's INCLUDED IN KIT	4, 5, 6, 7, 8 (11)	9, 10	17	42, 44	40	43	40, 41, 42, 43, 44
NUMBER OF ASSEMBLIES IN KIT	6	6	3	3	3	3	1
NUMBER OF CYLINDERS KIT WILL SERVICE	3	3	3	3	3	3	1

TORQUE SPECS*

Pos.	Ft/lb	Nm
2	14.7	20
10	95.9	130
12	7.3	10
26	7.3	10
28	14.7	20
35	11.0	15
45	29.4	40
46	29.4	40
83	14.7	20
88	7.3	10

* Decrease torque by 20% if threads are lubricated

Ref 300196 Rev. C
04-11

GENERAL PUMP 1174 Northland Drive • Mendota Heights, MN 55120
Phone: 651.686.2199 • Fax: 800.535.1745 • e-mail: sales@gpcompanies.com • www.generalpump.com

