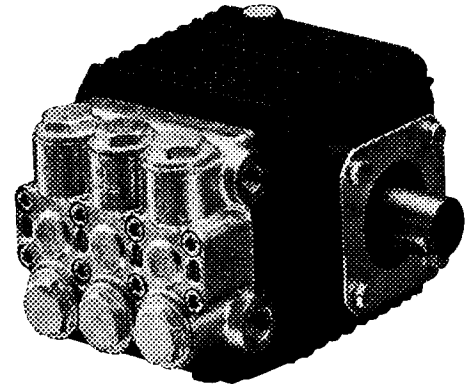


FEATURES

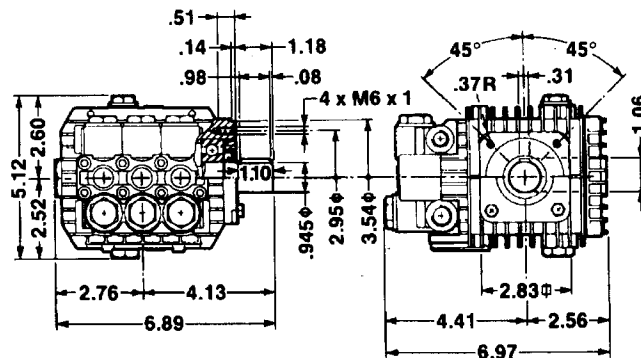
- Forged brass manifold with exclusive lifetime warranty
- Die cast, anodized aluminum, oil-bath crankcase
- Solid ceramic plungers with continuously lubricated packings
- The original Interpump unitized, stainless steel, K01 inlet and outlet valves
- Ideal for all general cleaning applications
- Standard with 24 mm solid shaft for pulley mount or direct drive with flex coupler and bell housing
- Also available in “L” left-handed versions

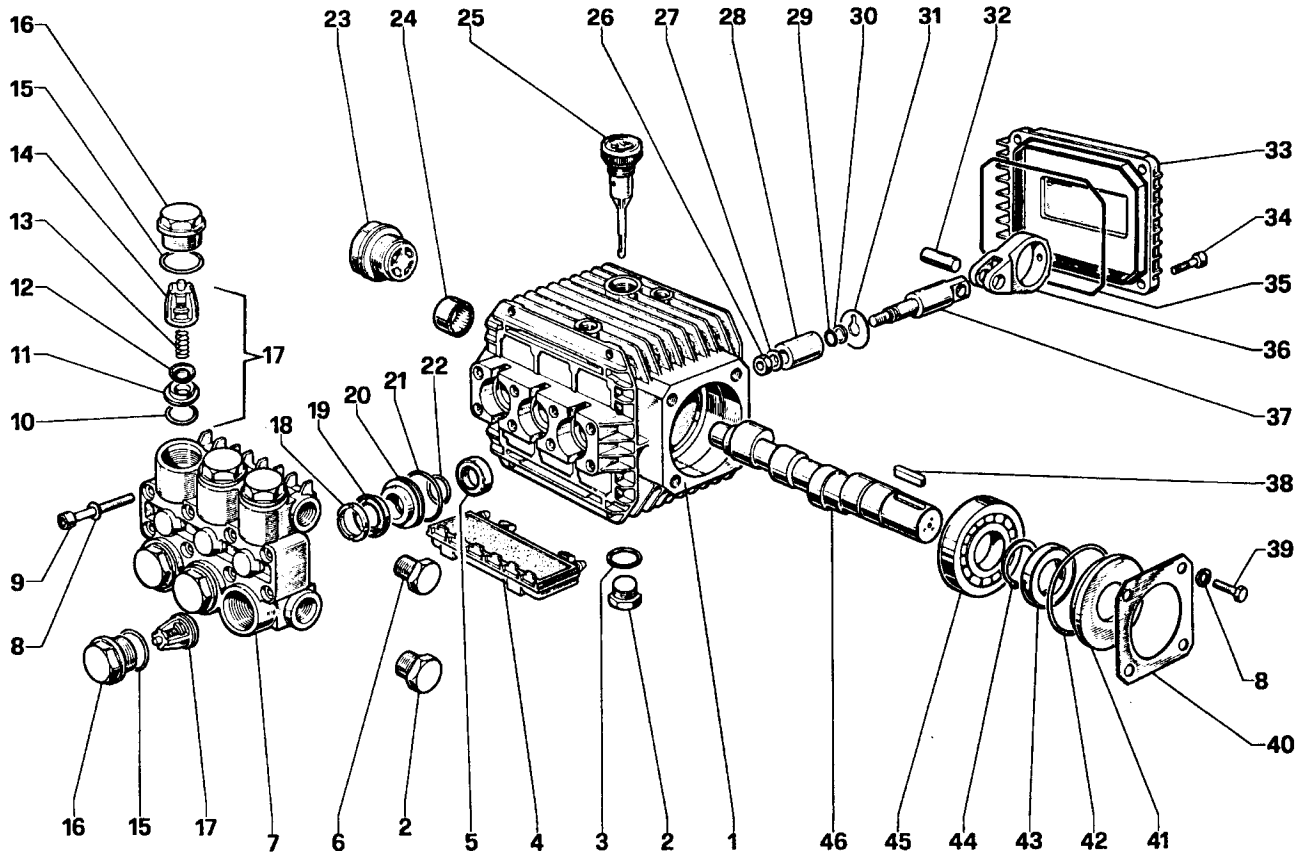


SPECIFICATIONS

Pump Model	TT901	TT931	TT941	TT951	TT9111
Maximum Volume	2.11 GPM	2.9 GPM	3.43 GPM	2.5 GPM	3.0 GPM
Maximum Discharge Pressure	1500 PSI				
Maximum Pump Speed	2800 RPM	2800 RPM	2800 RPM	2800 RPM	1750 RPM
Maximum Inlet Pressure	125 PSI				
Maximum Inlet Vacuum	3 ft. water (2.6 in. Hg)				
Bore (in./mm)	.591 / 15	.591 / 15	.591 / 15	.591 / 15	.708 / 18
Stroke (in./mm)	.236 / 6	.315 / 8	.370 / 9.4	.283 / 7.2	.370 / 9.4
Crankcase Oil Capacity	11.2 oz.				
Maximum Fluid Temperature	165°F				
Inlet Port Thread	3/8-19 BSPP-F				
Discharge Port Thread	1/4-19 BSPP-F				
Shaft Diameter	.945 in. / 24 mm				
Weight	11.2 lbs.				
Dimensions	7.0 x 6.9 x 5.1 in.				

DIMENSIONAL DRAWING





PARTS LIST

ITEM	PART NO.	DESCRIPTION	KIT NO.	QTY.	ITEM	PART NO.	DESCRIPTION	KIT NO.	QTY.	ITEM	PART NO.	DESCRIPTION	KIT NO.	QTY.
1.	51.0106.22	Crankcase		1	18.	51.1000.51	Head Ring	96,97	3	31.	96.7070.00	Flinger Washer		3
2.	98.2100.00	Plug		2		51.1001.51	Head Ring (T9111)	140,141		32.	97.7310.00	Connect Rod Pin		3
3.	90.3833.00	O-Ring		1	19.	90.2620.00	Packing	96,97	3	33.	51.1600.22	Crankcase Cover		1
4.	51.2091.02	Protector		1		90.2681.00	Packing (T9111)	140,141		34.	99.1867.00	Screw		4
5.	90.1565.00	Oil Seal	83	3	20.	51.0800.70	Packing Retainer	86,96	3	35.	90.3917.00	Cover O-Ring		1
6.	98.2041.00	Plug		1		51.0803.70	Pack. Ret. (T9111)	139,140		36.	51.0300.22	Connecting Rod End		3
7.	51.1200.22	Manifold, Alum.		1	21.	90.3604.00	O-Ring	86,96,97	3	37.	51.0500.56	Connecting Rod		3
	51.1200.41	Manifold, Brass				90.3604.00	O-Ring (T9111)	139,140,141		38.	91.4878.00	Key		1
	51.1204.41	Manifold, Brass (TT9111)			22.	90.3835.00	O-Ring	86,96,97	3	39.	99.1807.00	Screw		4
8.	96.6938.00	Washer		8		90.3843.00	O-Ring	189,140,141		40.	50.1500.74	Retainer		1
9.	99.1943.00	Screw		8	23.	97.5968.00	Sight Gauge		1	41.	50.2115.51	Spacer		1
10.	90.3841.00	O-Ring		1	24.	91.8015.00	Needle Bearing		1	42.	90.4097.00	O-Ring		1
11.	36.2003.66	Valve Seat		1	25.	98.2103.00	Oil Dip Stick		1	43.	90.1634.00	Oil Seal		1
12.	36.2001.76	Valve Plate		1	26.	92.2216.00	Nut		3	44.	90.0635.00	Snap Ring		1
13.	94.7376.00	Spring		1	27.	96.7008.00	Washer		3	45.	91.8329.00	Bearing		1
14.	36.2002.51	Valve Cage		1	28.	51.0400.09	Plunger – 15 mm		3	46.	51.0200.35	Crankshaft (TT901)		1
15.	90.3847.00	O-Ring	84	6		51.0401.66	Plunger – 18 mm (TT9111)				51.0201.35	Crankshaft (TT931)		
16.	98.2218.00	Valve Cap	84	6	29.	90.3572.00	O-Ring		3		51.0204.35	Crankshaft (TT941, TT9111)		
17.	36.7032.01	Valve Assy.		1	30.	90.5022.00	Back Up Ring		3		51.0217.35	Crankshaft (TT951)		

REPAIR KITS

KIT NO.	1	83	84	86 or 139	96 or 140	97 or 141
ITEM NO.s INCLUDED IN KIT	10, 11, 12 13, 14 (17)	5	15, 16	20, 21 22	18, 19 20, 21 22	18, 19 21, 22
NUMBER OF ASSEMBLIES IN KIT	6	3	6	3	1	3
NUMBER OF CYLINDERS KIT WILL SERVICE	3	3	3	3	1	3

TORQUE SPECS*

Position	Ft.-lbs.
2	29.4
6	14.7
9	8.8
16	33.1
23	13.2
26	11.0
34	7.3
39	7.3

*Decrease torque by 20% if threads are lubricated.