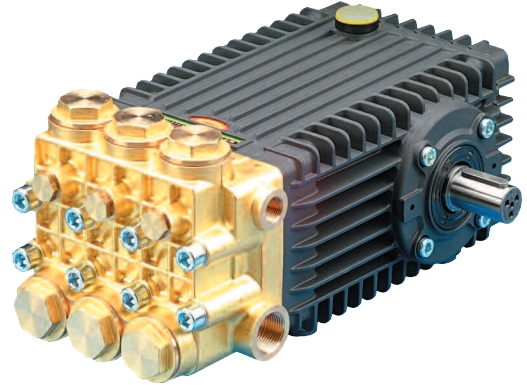


FEATURES

- Oversized roller bearings
- Fully anodized crankcase
- Innovative new seal design extends seal life
- New plunger design improves thermal shock resistance
- New valve cap improves hydrostatic performance



SPECIFICATIONS

Pump Model	TSF1819	TSF2019	TSF2019 Alternate Spec	TSF2021	TSF2021 Alternate Spec	TSF2219	TSF2219 Alternate Spec	TSF2221	TSF2221 Alternate Spec	TSF2819	TSF2421	TSF2421 Alternate Spec
Maximum Volume	6.3 GPM	7.6 GPM	6.3 GPM	8.5 GPM	7.0 GPM	9.3 GPM	7.7 GPM	10.2 GPM	8.5 GPM	12.1 GPM	12.0 GPM	10.0 GPM
Maximum Discharge Pressure	4350 PSI	3600 PSI				3000 PSI				2200 PSI	2500 PSI	
Horsepower	18.8 EBHP	18.7 EBHP	15.5 EBHP	21 EBHP	17.3 BHP	19.1 BHP	15.8 BHP	21 BHP	17.5 BHP	18.2 EBHP	20.5 EBHP	17.1 EBHP
Maximum Pump Speed	1750 RPM		1450 RPM	1750 RPM	1450 RPM	1750 RPM	1450 RPM	1750 RPM	1450 RPM		1750 RPM	1450 RPM
Maximum Inlet Pressure	125 PSI											
Maximum Inlet Vacuum	9 ft. water / 7.9 in. Hg											
Plunger Bore (in / mm)	.709 in. / 18 mm	.787 in. / 20 mm				.866 in. / 22 mm				1.102 / 28 mm	.945 / 24 mm	
Plunger Stroke (in / mm)	.748 in. / 19 mm			.826 in. / 21 mm		.748 / 19		.826 in / 21 mm		.748 / 19 mm	.826 in / 21 mm	
Oil Capacity	40.6 oz.											
Maximum Fluid Temperature	165° F											
Inlet Port Thread	3/4"-14 BSP-F											
Discharge Port Thread	3/8"-19 BSP-F											
Shaft Diameter (in / mm)	.945 in. / 24 mm											
Weight	40.7 lbs / 18.5 kg											
Dimensions	14.94" x 9.78" x 6.99"											

TRIPLEX

TRIPLEX

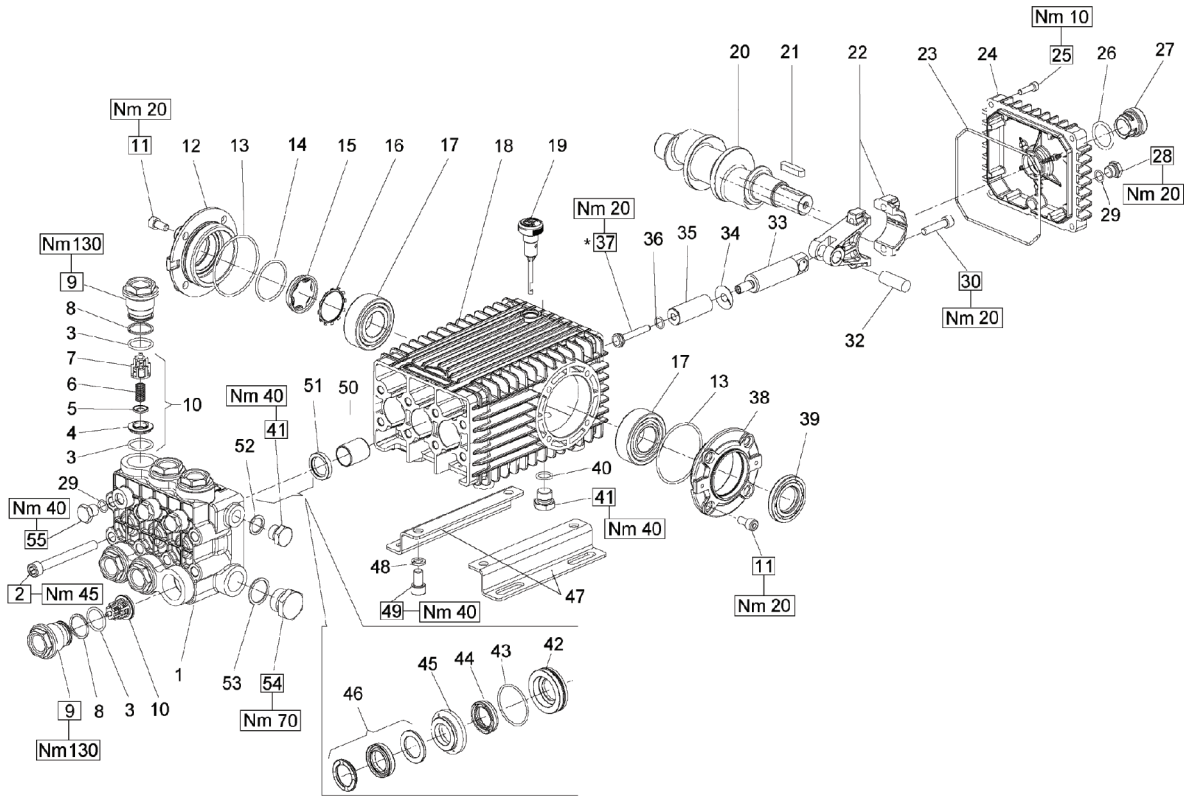


General Pump is a member of the Interpump Group



66 Series, TSF

GENERAL PUMP *A member of the Interpump Group*



PARTS LIST

POS.	PART NO.	DESCRIPTION	QTY.
1	66124541	Manifold, Ø 18mm	1
	66120041	Manifold, Ø 20mm	1
	66120141	Manifold, Ø 22 mm	1
	66120241	Manifold, Ø 24mm	1
	66124641	Manifold, Ø 28mm	1
2	99380100	Headbolt M10 x 90	8
3	90385700	O-ring, Ø 23.81x2.62	12
4	36203366	Valve Seat	6
5	36203476	Valve Poppet	6
6	94738800	Valve Spring Ø10x18x18.5	6
7	36203551	Valve Guide	6
8	90516500	Anti-ext ring Ø24.7x29x1.5	6
9	66130041	Plug, M32x1.5x29.5	6
10	36712701	Valve Assy., Complete	6
11	99303900	Screw M8 x 16	8
12	47151222	Cover	1
13	90391300	O-ring, Ø67.95x2.62	2
14	90387700	O-ring, Ø 39.34x2.62	1
15	70211801	Oil Sight Glass	1
16	90075600	Retainer Clip	1
17	91838000	Bearing	2
18	66010022	Crankcase	1
19	98210600	Dipstick, vented	1
20	66021035	Crankshaft, 18mm Stroke	
	66020035	Crankshaft, 19mm Stroke	1
	66020435	Crankshaft, 21mm Stroke	1
21	91489200	Key, 9x7x35	1
22	66030001	Connecting Rod, Complete	3

POS.	PART NO.	DESCRIPTION	QTY.
23	90392200	O-ring, Ø133.02x2.62	1
24	66160022	Rear Cover	1
25	99188400	Screw, M6x20	4
26	90405100	O-ring, 26.58x3.53	1
27	63210051	Oil Level Indicator	1
28	98204100	Plug, G1/4"x9	1
29	701013	O-ring, Ø .426x.070	4
30	99309900	Screw, M8x35	6
32	97740500	Wrist Pin, 14x39	3
33	66050064	Piston Guide	3
34	96710100	Flinger Washer	3
35	66040309	Plunger, Ø 18mm	3
	66040009	Plunger, Ø 20mm	3
	66040109	Plunger, Ø 22 mm	3
	66040409	Plunger, Ø 24mm	3
	66041009	Plunger, Ø 28mm	3
36	90358400	O-ring, Ø 10.82x1.78	3
37	66219566	Plunger Bolt	3
38	66150022	Side Cover, PTO	1
39	90164800	Seal, Shaft	1
40	90383300	O-ring, Ø 13.95x2.62	1
41	98210000	Plug 3/8 x 13	2
42	66080370	Seal Retainer, Ø 18mm	3
	66080070	Seal Retainer, Ø 20mm	3
	66080170	Seal Retainer, Ø 22mm	3
	66080470	Seal Retainer, Ø 24mm	3
	66082570	Seal Retainer, Ø 28mm	3

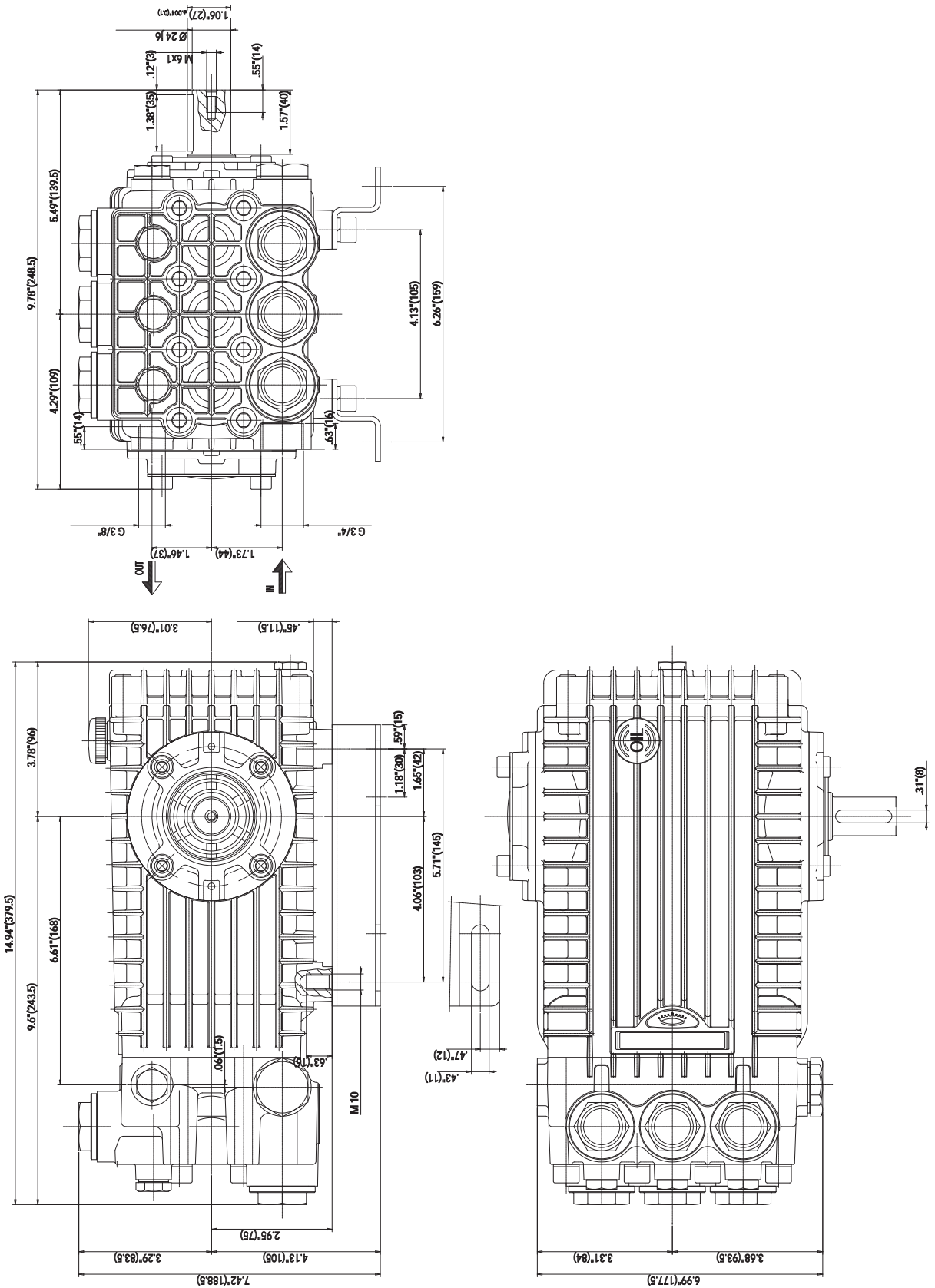
POS.	PART NO.	DESCRIPTION	QTY.
43	90361600	O-ring, Ø 34.65x1.78	3
44	90265200	LP Seal, Ø 18mm	3
	90269000	LP Seal, Ø 20mm	3
	90271500	LP Seal, Ø 22mm	3
	90273800	LP Seal, Ø 24mm	3
	90275300	LP Seal, Ø 28mm	3
45	66216370	Intermediate Ring, Ø 18mm	3
	66216070	Intermediate Ring, Ø 20mm	3
	66216170	Intermediate Ring, Ø 22mm	3
	66216470	Intermediate Ring, Ø 24mm	3
	66220070	Intermediate Ring, Ø 28mm	3
46	90265500	HP Seal, Ø 18mm	3
	90269200	HP Seal, Ø 20mm	3
	90271700	HP Seal, Ø 22mm	3
	90274100	HP Seal, Ø 24mm	3
	90275400	HP Seal, Ø 28mm	3
47	47200074	Pump Rail	2
48	96710600	Washer M10	4
49	99364400	Screw M10 x 18	4
50	90912600	Guide Bushing	3
51	90162500	Seal, Plunger Rod	3
52	96738000	Gasket, Aluminum 3/8"	1
53	96770000	Washer	1
54	98226800	Plug, G3/4"x16	1
55	98204300	Plug 1/4" x 13	3

REPAIR KITS

KIT NO.	K02	K03	K169	K180 (18mm)	K176 (18mm)	K170 (20mm)	K171 (20mm)	K172 (22mm)	K173 (22mm)	K181 (24 mm)	K182 (24mm)	K248 (28mm)	K247 (28mm)
POS. NO's INCLUDED IN KIT	51	39	3, 4, 5, 6, (10)	44, 46	42, 43, 44, 45, 46	44, 46	42, 43, 44, 45, 46	44, 46	42, 43, 44, 45, 46	44, 46	42, 43, 44, 45, 46	44, 46	42, 43, 44, 45, 46
NUMBER OF ASSEMBLIES IN KIT	3	1	6	3	1	3	1	3	1	3	1	3	1
NUMBER OF CYLINDERS KIT WILL SERVICE	3	N/A	3	3	1	3	1	3	1	3	1	3	1

66 Series, TSF

DIMENSIONAL DRAWING



TORQUE SPECS*

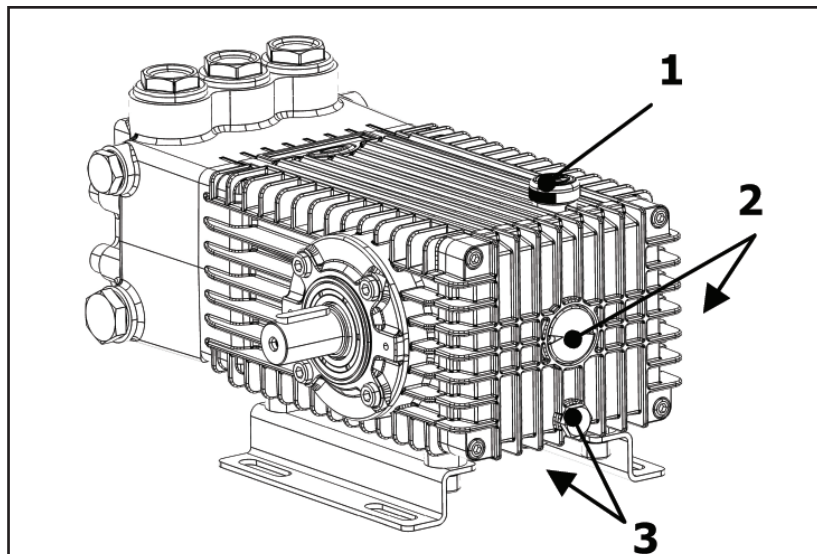
POS.	Nm	Ft/lb
2	45	33.2
9	130	95.9
11	20	14.8
25	10	7.4
28	20	14.8
30	20	14.8
37**	20	14.8†
41	40	29.5
49	40	29.5
54	70	51.6
55	40	29.5

* Decrease torque by 20% if threads are lubricated

** Use Loc-Tite 542 or similar

OIL CHANGING

1. Oil changing must be done with the pump at operating temperature.
- 1.2 Put a container under the oil drain plug (3).
- 1.3 Remove the oil dipstick (1) and then the drain plug (3).
- 1.4 Wait until all the oil has drained out, then screw the drain plug (3) and tighten at the torque shown in the exploded diagram and above table.
- 1.5 Fill with new oil (General Pump Series 100) until the middle of the oil sight glass is reached, crew by hand the oil dipstick (1).



Ref 310045 Rev. G
02-11