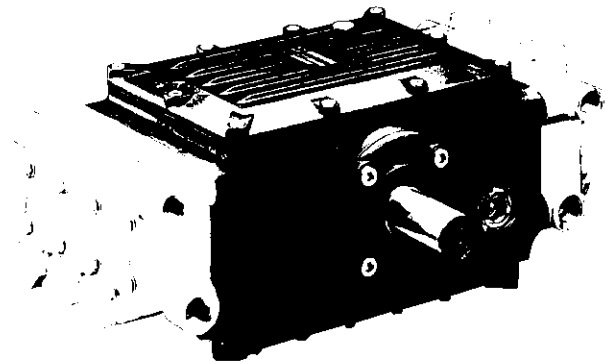


FEATURES

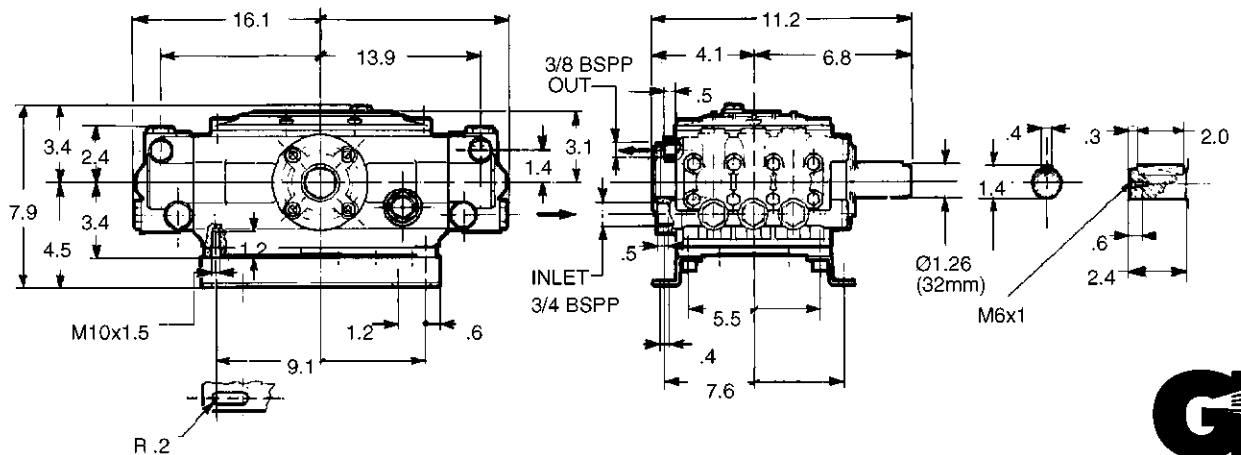
- Forged brass manifold with exclusive lifetime warranty
- High flow applications
- Dual manifolds utilizing a common crankcase for efficient performance
- Solid ceramic plungers with continuously lubricated packings
- Unitized stainless steel inlet and discharge valves

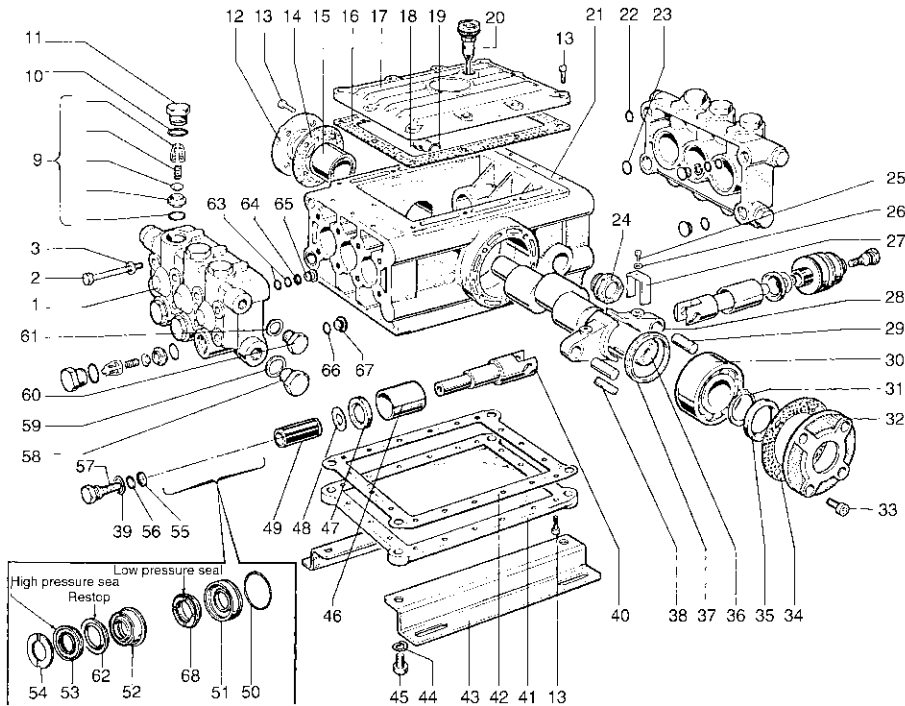


SPECIFICATIONS

Pump Model	TS1351	T1631	T2031	
Maximum Volume (GPM)	11.0 GPM	10.0 GPM	9.0	11.0
Max. Discharge Pressure (PSI)	2000 PSI	2500 PSI	3000	2000
Maximum Pump Speed (RPM)	1450	1080 RPM	1140	1450
Maximum Inlet Pressure	125 PSI			
Maximum Inlet Vacuum	9 ft. water (7.9 in. Hg)			
Bore (in./mm)	.787 / 20	.866 / 22	.787 / 20	
Stroke	.630 in. / 16 mm			
Crankcase Oil Capacity	54.0 oz.			
Maximum Fluid Temperature	165°F			
Inlet Port Thread	3/4-14 BSPP-F			
Discharge Port Thread	3/8-19 BSPP-F			
Shaft Diameter.	1.26 in. / 32 mm			
Weight	61 lbs.			
Dimensions	16.1 x 11.2 x 7.9 in.			

DIMENSIONAL DRAWING





PARTS LIST

ITEM PART NO.	DESCRIPTION	KIT NO.	QTY.	ITEM PART NO.	DESCRIPTION	KIT NO.	QTY.	ITEM PART NO.	DESCRIPTION	KIT NO.	QTY.
1.	48.1202.41	Manifold	2	26.	96.6910.00	Washer	6	50.	90.3616.00	O-Ring	10,14,28,29 6
2.	99.3206.00	Screw	16	27.	48.2170.74	Rod Yoke	6	51.	47.0805.70	Packing Retainer	10, 28 6
3.	96.7020.00	Washer	16	28.	48.0301.22	Connect. Rod	3	47.0806.70	Pack. Ret. (T1631)	14, 29	
4.	90.3841.00	O-Ring	1	29.	97.7374.00	Plunger Pin	6	52.	47.2169.70	Intermed. Ring	28, 71 6
5.	36.2003.66	Valve Seat	1	30.	91.8475.00	Bearing	1	47.2170.70	Inter. Ring (T1631)	29,149	
6.	36.2001.76	Valve	1	31.	90.0695.00	Cir-Clip	1	53.	90.2705.00	Packing	28, 69 6
7.	94.7376.00	Spring	1	32.	48.1500.22	Cover	1	90.2725.00	Packing (T1631)	29, 148	
8.	36.2002.51	Valve Guide	1	33.	99.3039.00	Screw	4	54.	47.1000.51	Head Ring	7, 28 6
9.	36.7032.01	Valve Unit	1	34.	48.2112.84	Gasket	1	46.1000.51	Head Ring (T1631)	11, 29	
10.	90.3847.00	O-Ring	4	35.	90.1670.00	O-Ring	1	55.	90.5067.00	Anti-Ext. Ring	6 6
11.	98.2220.00	Cap	4	36.	48.0202.35	Crankshaft (TS1351)	1	56.	90.3585.00	O-Ring	6 6
12.	48.1601.22	Cover	1	48.0201.35	Crankshaft			57.	47.2195.66	Plunger Screw	6 6
13.	99.1837.00	Screw	32	37.	48.2123.89	Connect Rod Ring	6	58.	98.2176.00	Cap	4
14.	48.2119.84	Cover Gasket	1	38.	91.4975.00	Key	1	59.	96.7514.00	Washer	4
15.	91.8370.00	Bearing	1	39.	96.7280.00	Washer	6	60.	98.2100.00	Cap	3
16.	48.2118.84	Gasket	1	40.	48.0501.54	Plunger Guide	6	61.	96.7380.00	Washer	3
17.	48.2114.22	Cover	1	41.	48.2116.22	Cover	1	62.	90.2704.00	Restop Ring	28,69,71 6
18.	98.2041.00	Cap	1	42.	48.2117.84	Gasket	1	90.2730.00	Res. Ring (T1631)	29,148,149	
19.	90.3585.00	O-Ring	1	43.	48.2000.74	Foot	2	63.	90.3580.00	O-Ring	4
20.	98.2097.00	Cap	1	44.	96.7106.00	Washer	4	64.	90.5037.00	Anti. Ext. Ring	2
21.	48.0104.02	Crankcase	1	45.	99.3699.00	Screw	4	65.	48.2204.70	Plug	2
22.	90.3827.00	O-Ring	4	46.	90.9150.00	Bushing	6	66.	90.3825.00	O-Ring	2
23.	90.3839.00	O-Ring	4	47.	90.1627.00	Ring	24	67.	48.2203.70	Plug	2
24.	97.5968.00	Oil Indicator	1	48.	96.7286.00	Washer	6	68.	90.2710.00	Seal, Low Press., 20mm	28, 69 6
25.	99.1537.00	Screw	6	49.	47.0404.09	Plunger – 20 mm	6				
					47.0405.09	Plunger – 22 mm (T1631)	6				

REPAIR KITS

KIT NO.	1	4	6	7 or 11	10 or 14	24	28 or 29	69 or 148	71 or 149
ITEM NO.s INCLUDED IN KIT	4, 5, 6, 7, 8 (9)	10, 11	39, 48, 55, 56, 57	54	50, 51	47	50, 51, 52, 53, 54, 62, 68	53, 62, 68	52, 62
NUMBER OF ASSEMBLIES IN KIT	6	6	3	6	3	3	1	3	3
NUMBER OF CYLINDERS KIT WILL SERVICE	3	3	3	3	3	3	1	3	3

TORQUE SPECS*

Position	Ft.-lbs.
2	22.1
11	73.7
13	7.3
18	14.7
24	13.2
25	5.1
33	14.7
45	29.4
57	14.7
58	29.4
60	29.4

*Decrease torque by 20% if threads are lubricated.

