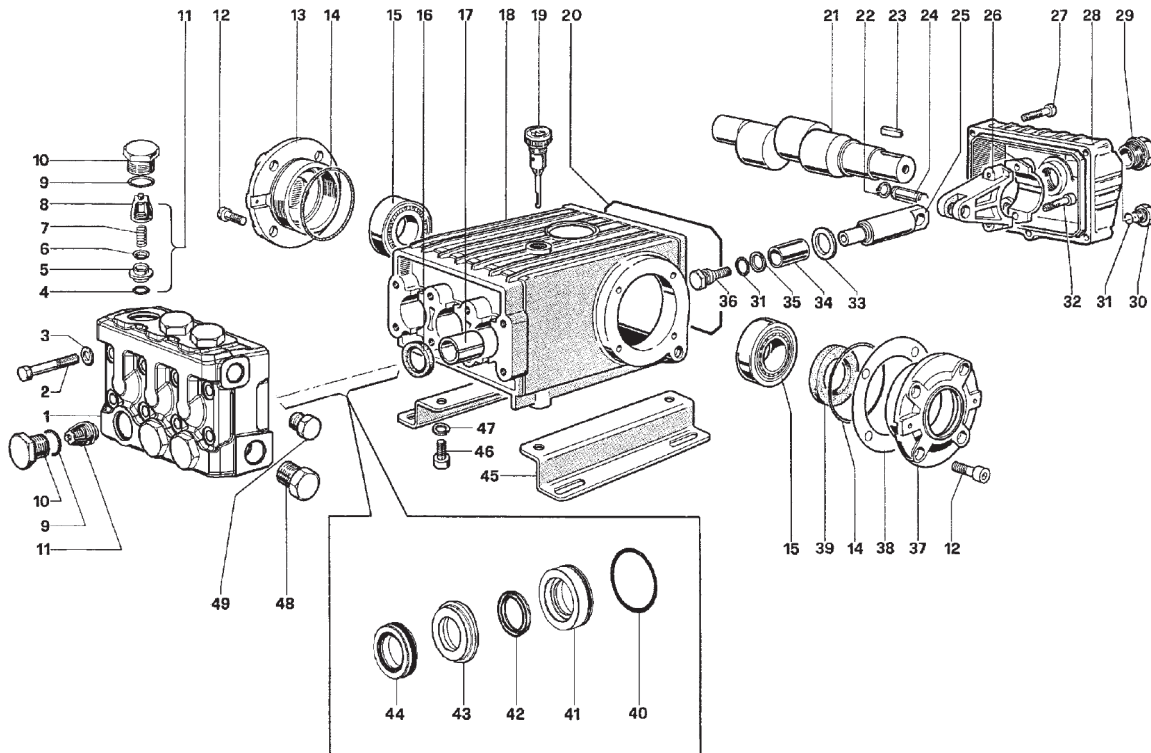


47 Series SS - Stainless Steel

GENERAL PUMP *A member of the Interpump Group*



PARTS LIST

ITEM	PART NO.	DESCRIPTION	QTY.	ITEM	PART NO.	DESCRIPTION	QTY.	ITEM	PART NO.	DESCRIPTION	KIT NO.	QTY.
1.	47121936	Manifold	1	22.	90055700	Circlip	6	41.	47081566	Seal Retainer, 20mm	3	
2.	99320700	Headbolt, SS, M8 x 70	8	23.	91489000	Key	1		47081666	Seal retainer, 22mm	3	
3.	96702200	Washer, SS, 8.4 x 15 x 1.5	8	24.	97738000	Wrist pin	3	42.	90225000	High pressure seal, 20mm	3	
4.	90384100	O-ring, 17.32 x 2.62	6	25.	47050766	Piston guide	3		90230000	High pressure seal, 22mm	3	
5.	36203666	Valve seat	6	26.	47030001	Connecting rod, complete	3	43.	47217666	Intermediate ring, 20mm	3	
6.	36200176	Valve poppet	6	27.	99191300	SHCS, M6 x 30 zinc plated	5		47217766	Intermediate ring, 22mm	3	
7.	94737300	Valve spring	6	28.	47160122	Back cover, deep	1	44.	90226200	Restop ring, 20mm	3	
8.	36202551	Valve cage	6	29.	97596800	Oil level sightglass	1		90231000	Restop Ring, 22mm	3	
9.	90384700	O-ring 20.24 x 2.62	6	30.	98204000	Plug, 1/4 x 9	1	45.	47200074	Pump rail	2	
10.	98223000	Valve cap, SS	6	31.	90358500	O-ring, 10.82 x 1.78	4	46.	99364400	Screw, M10 x 18, zinc plated	4	
11.	36713001	Valve assy, complete	6	32.	99309900	SHCS, M8 x 35 zinc plated	6	47.	96710600	Washer, M10, zinc plated	4	
12.	99303800	SHCS, M8 x 16 zinc plated	8	33.	96728700	Lock washw 8.4 x 13 x 0.8	6	48.	98218000	Plug, 1/2 x 10, SS	1	
13.	47150122	Side cover	1	34.	47040409	Plunger, 20 mm	3	49.	98210066	Plug, 3/8 x 13, SS	1	
14.	90391300	O-ring, 67.95 x 2.62	2		47040509	Plunger, 22 mm	3					
15.	91837800	Bearing	2	35.	90506700	Anti-extrusion ring	3					
16.	90162500	Oil seal, plunger rod	3	36.	47219766	Plunger bolt	3					
17.	90912600	Guide sleeve	3	37.	47150022	Crankcase Cover	1					
18.	47010022	Crankcase	1	38.	97567800	Spacer	2					
19.	98210600	Vented dipstick	1	39.	90164800	Shaft oil seal 30 x 55 x 7	1					
20.	90392200	O-ring, 133.02 x 2.62	1	40.	90361600	O-ring, 34.65 x 1.78	3					
21.	47021835	Crankshaft, 12mm stroke	1									
	47021735	Crankshaft, 16mm stroke	1									

REPAIR KITS

KIT NO.	2	3	192	238 or 202 (20 mm) (22 mm)	239 or 240 (20 mm) (22 mm)
ITEM NO's INCLUDED IN KIT	16	41	4, 5, 6 7, 8 (11)	42, 44	40, 41, 42, 43, 44
NUMBER OF ASSEMBLIES IN KIT	3	2		6	1
NUMBER OF CYLINDERS KIT WILL SERVICE	3	--		3	1

TORQUE SPECS*

Pos.	Ft/lb	N-M
2	14.7	20
10	95.9	130
12	7.3	10
26	7.3	10
28	14.7	20
35	11.0	15
45	29.4	40
46	29.4	40
83	14.7	20
88	7.3	10

* Decrease torque by 20% if threads are lubricated

Ref 300345 Rev. F
04-11

GENERAL PUMP 1174 Northland Drive • Mendota Heights, MN 55120

Phone: 651.686.2199 • Fax: 800.535.1745 • e-mail: sales@gpcompanies.com • www.generalpump.com

