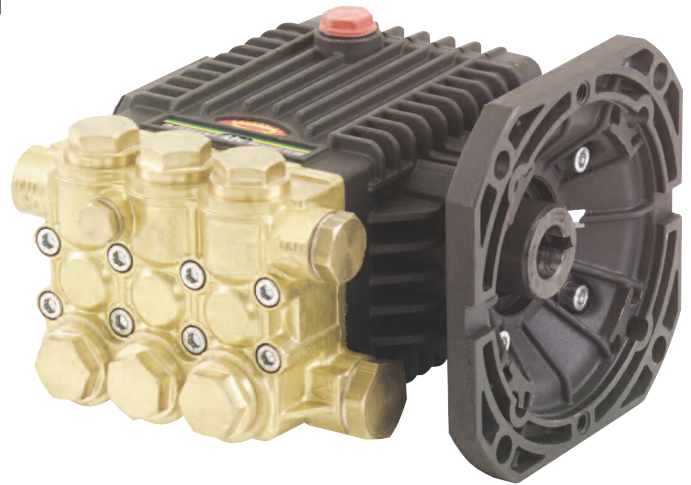


FEATURES

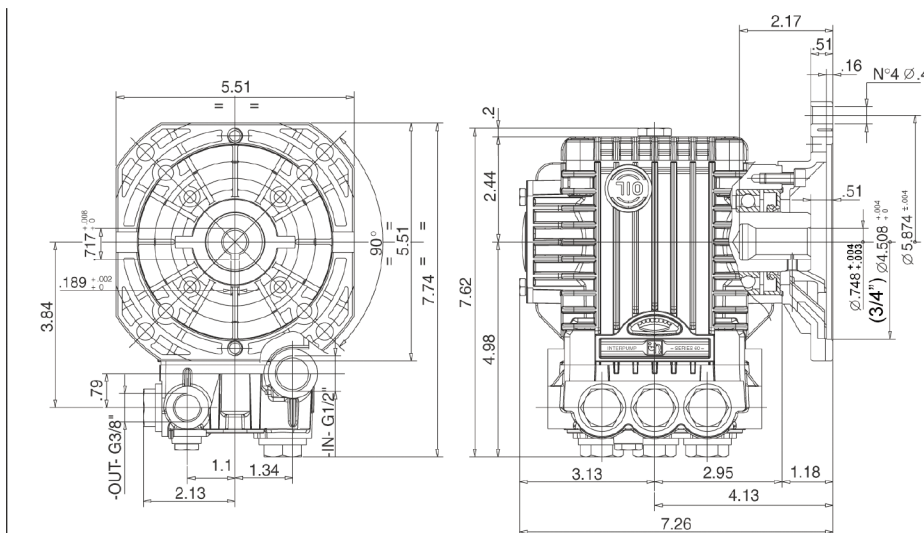
- Compact design
- 3/4" hollow shaft, flanged for direct couple to electric motors (NEMA 56C)
- Oversized bearings for long life
- New generation seal system for longer life
- Forged brass manifold with an exclusive lifetime warranty*



SPECIFICATIONS

Pump Model	TC1506E346	TC1507E346	TC1508E346
Maximum Volume	2.60 GPM	3.00 GPM	3.30 GPM
Maximum Discharge Pressure	2700 PSI		2500 PSI
Horsepower	4.81 EBHP	5.55 EBHP	5.65 EBHP
Maximum Pump Speed	3400 RPM		
Maximum Inlet Pressure	125 PSI		
Minimum Inlet Pressure	Flooded		
Plunger Bore (in / mm)	.591 in / 15 mm		
Plunger Stroke (in / mm)	.256 in / 6.5 mm	.283 in / 7.2 mm	.315 in / 8.0 mm
Oil Capacity	11.8 oz		
Maximum Fluid Temperature	165°F		
Inlet Port Thread	1/2 - 14 BSP-F		
Discharge Port Thread	3/8 - 19 BSP-F		
Shaft Diameter	.748 in / 19 mm		
Weight	15.1 lbs		
Dimensions	7.8 x 7.3 x 5.5 in		

DIMENSIONAL DRAWING



TRIPLEX

TRIPLEX

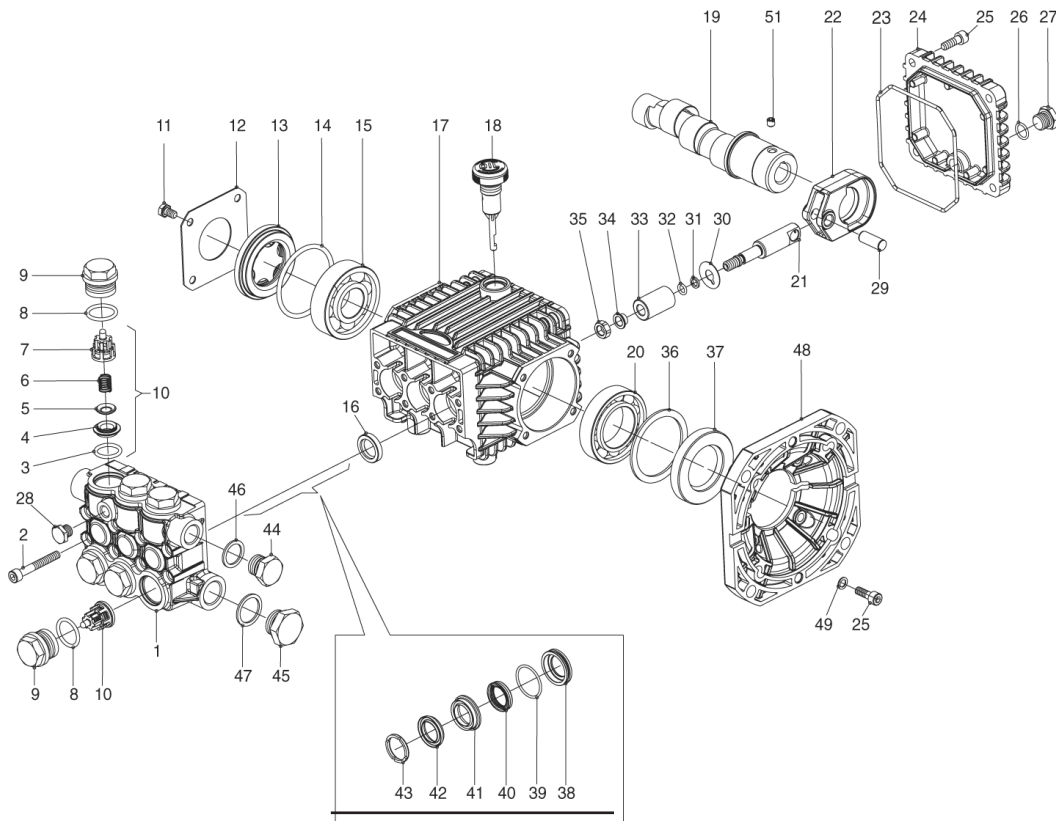


General Pump
is a member of
the Interpump Group



TC Series "60"

GENERAL PUMP *A member of the Interpump Group*



PARTS LIST

ITEM	PART NO.	DESCRIPTION	KIT NO.	QTY.	ITEM	PART NO.	DESCRIPTION	KIT NO.	QTY.	ITEM	PART NO.	DESCRIPTION	KIT NO.	QTY.
1.	60120041	Manifold, 15 mm		1	19.	60027165	Crankshaft, TC1506E346		1	38.	60080070	Seal, LP,15mm	200,226	3
2.	99195000	Screw, M6 x 45		8		60027365	Crankshaft, TC1507E346		1	39.	90360400	O-ring	200,226	3
3.	90384100	O-ring	123	6		60027565	Crankshaft, TC1508E346		1	40.	90260800	Seal, LP, 15 mm	196,226	3
4.	36200366	Valve Seat	123	6	20.	91846400	Bearing		1	41.	60216070	Intermediate Ring, 15	198,226	3
5.	36200176	Valve	123	6	21.	60050066	Plunger Guide		3	42.	90262000	Seal, HP, 15mm	196,226	3
6.	94737600	Spring	123	6	22.	60030022	Connecting Rod		3	43.	51100051	Head Ring, 15mm	196,226	3
7.	36202551	Valve Cage	123	6	23.	90391800	O-ring, Cover		1	44.	98210000	Plug, 3/8" G		1
8.	90384700	O-ring		6	24.	60160022	Rear Crankcase Cover		1	45.	98217600	Plug, 1/2" G		1
9.	98221400	Valve Cap		6	25.	99186700	Screw, M6 x 18		8	46.	96738000	Gasket, Alum., 3/8"		1
10.	36711501	Valve Assembly	123	6	26.	90358500	O-ring		1	47.	96751400	Gasket, Alum., 1/2"		1
11.	99180700	Screw, M6 x 10		4	27.	98204100	Plug, 1/4" G		1	48.	10034422	Flange		1
12.	50150074	Bearing Cover		1	28.	98196600	Plug, 1/8" G		1	49.	96693800	Washer		4
13.	44211801	Oil Level Indicator		1	29.	97733300	Wrist Pin		3	51.	99179000	Screw, M6		1
14.	90409700	O-ring		1	30.	96707000	Washer		3					
15.	91832800	Ball Bearing		1	31.	90502200	Anti-ext. Ring		3					
16.	90156500	Oil Seal	83	3	32.	90357300	O-ring		3					
17.	60010022	Crankcase		1	33.	60040009	Ceramic Plunger, 15mm		3					
18.	98210300	Oil Dip Stick		1	34.	44211570	Bushing		3					
					35.	92221600	Nut, M8		3					
					36.	60210189	Spacer		1					
					37.	90167500	Oil Seal		1					

REPAIR KITS

KIT NO.	K83	K123	K196 (15mm)	K198 (15mm)	K200 (15mm)	K226 (15mm)
ITEM NO's INCLUDED IN KIT	16	3, 4, 5, 6, 7 (10)	40, 42, 43	41	38, 39	38, 39, 40, 41, 42, 43
NUMBER OF ASSEMBLIES IN KIT	3	6	3	3	3	1
NUMBER OF CYLINDERS KIT WILL SERVICE	3	3	3	3	3	1

TORQUE SPECS*

Pos.	Ft/lb	Nm
2	8.8	12
9	59.0	80
11	7.4	10
25	7.4	10
27	14.7	20
28	9.6	13
35	11.1	15
44	29.5	40
45	29.5	40

* Decrease torque by 20% if threads are lubricated