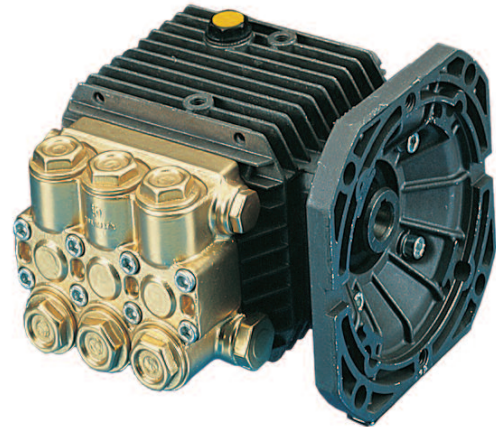


FEATURES

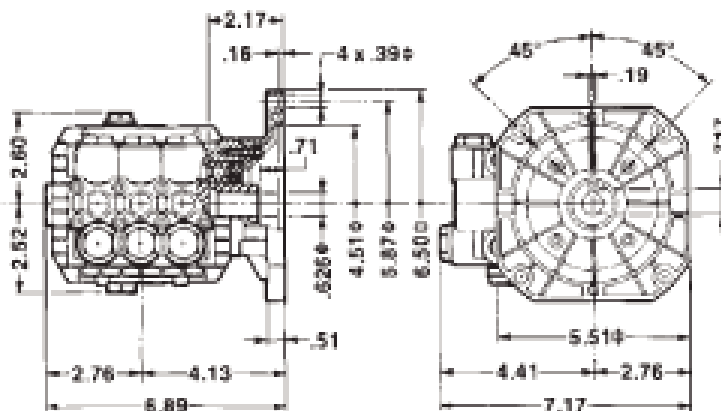
- Forged brass manifold with exclusive lifetime warranty
- Die-cast anodized aluminum, oil-bath crankcase
- Solid ceramic plungers with continuously lubricated packings
- The original Interpump unitized, stainless steel, K01 inlet and outlet valves
- Ideal for all general cleaning, RO and misting applications
- Comes standard with NEMA 56C electric motor mounting flange
- Also available in "L" left-handed versions



SPECIFICATIONS

Pump Model	T9051EBF	TT9111EBF	TT9061EBF	TT9071EBF	TT2021EBF	TT2028EBF	TT2035EBF
Maximum Volume	2.11 GPM	3.0 GPM	2.11 GPM	2.8 GPM	2.1 GPM	2.8 GPM	3.5 GPM
Maximum Discharge Pressure	1500 PSI				2000 PSI		
Maximum Pump Speed	1750 RPM			3400 RPM			
Maximum Inlet Pressure	125 PSI						
Maximum Inlet Vacuum	3 ft. water (2.6 Hg)						
Plunger Bore (in / mm)	.591 / 15	.709 / 18	.591 / 15				
Plunger Stroke (in / mm)	.370 / 9.4	.370 / 9.4	1.97 / 5	.260 / 6.6	1.97 / 5	.260 / 6.6	.315 / 8
Oil Capacity	11.2 oz.						
Maximum Fluid Temperature	165°F						
Inlet Port Thread	3/8-19 BSPP-F						
Discharge Port Thread	1/4-19 BSPP-F						
Shaft Diameter	5/8 in. / 16 mm						3/4 in./19 mm
Weight	11.5 lbs.						
Dimensions	7.0" x 7.2" x 5.5"						

DIMENSIONAL DRAWING

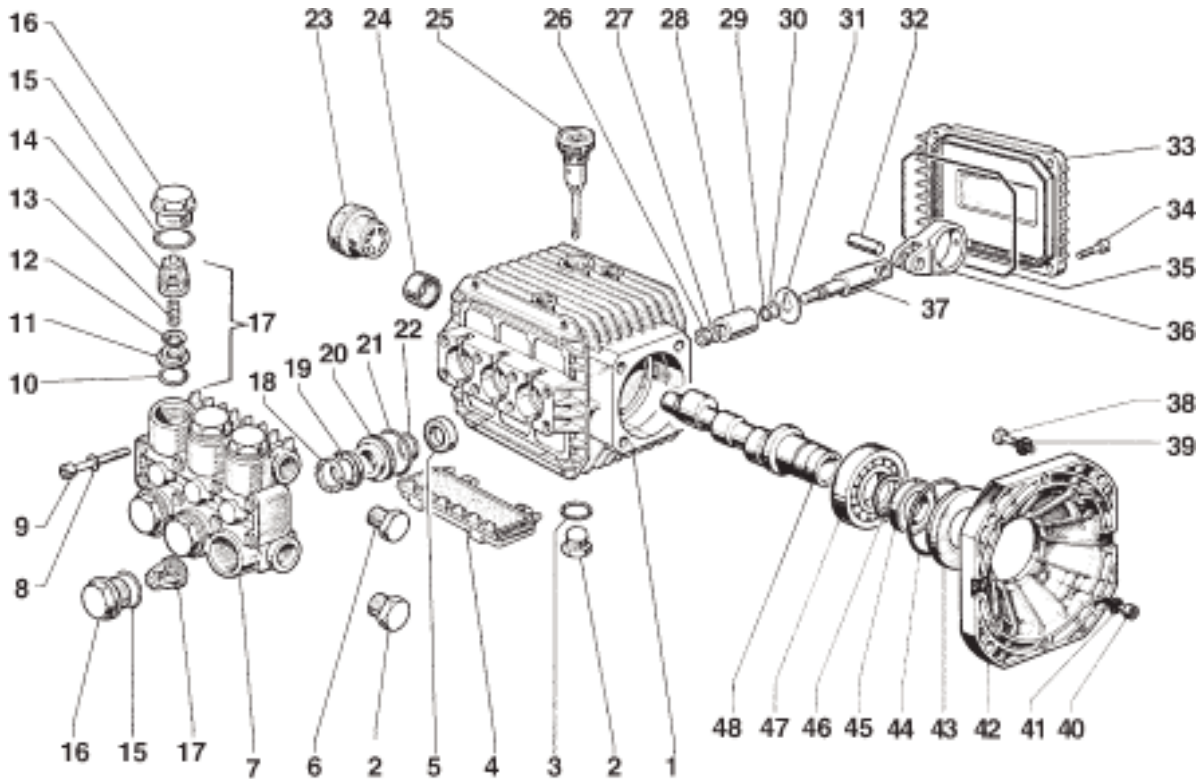


TRIPLEX

TRIPLEX

TT Series 51, EBF

GENERAL PUMP *A member of the Interpump Group*



PARTS LIST

ITEM	PART NO.	DESCRIPTION	KIT NO.	QTY.	ITEM	PART NO.	DESCRIPTION	KIT NO.	QTY.	ITEM	PART NO.	DESCRIPTION	KIT NO.	QTY.
1.	51010622	Crankcase	1	1	19.	90262000	Packing	3	3	34.	99186700	Screw, M6 x 18	4	4
2.	98210000	Plug, 3/8-BSP	2	1	20.	90268100	Packing, 18 mm	3	3	35.	90391700	Gasket	1	1
3.	90383300	O-ring	1	1	21.	51080070	Packing Retainer	3	3	36.	51030022	Connecting Rod End	4	4
4.	51209102	Protector	1	1		51080370	Packing Retainer, 18 mm	3	3	37.	51050056	Piston Guide	3	3
5.	90156500	Oil Seal	3	3	21.	90360400	O-ring	3	3	38.	99334500	Screw, 3/8-BSP	4	4
6.	98204100	Plug	1	1	22.	90383500	O-ring, 15 mm	3	3	39.	96710400	Washer, M10, Schnorr	4	4
7.	51120023	Manifold, Aluminum, 15 mm	1	1		90384300	O-ring, 18 mm	3	3	40.	99186700	Screw, M6 x 18	4	4
	51120041	Manifold, Brass, 15 mm	1	1	23.	97596800	Sight Gauge	1	1	41.	96693800	Washer, M6.4, Schnorr	4	4
	51120441	Manifold, Brass, 18 mm	1	1	24.	91801400	Needle Bearing	1	1	42.	10034422	Flange	1	1
8.	96693800	Washer, M6.4	12	12	25.	98210300	Oil Dip Stick	1	1	43.	50211551	Spacer	1	1
9.	99194300	Screw, M6 x 40	12	12	26.	92221600	Nut, M8	3	3	44.	90409700	O-ring	1	1
10.	90384100	O-ring	6	6	27.	96700800	Washer, M8	3	3	45.	90164400	Oil Seal	1	1
11.	36200366	Valve Seat	6	6	28.	51040009	Plunger, 15 mm	3	3	46.	90066700	Snap Ring	1	1
12.	36200176	Valve Plate	6	6		51040109	Plunger, 18 mm	3	3	47.	91837300	Bearing	1	1
13.	97437600	Spring	6	6	29.	90357200	O-ring	3	3	48.	51020835	Crankshaft (TT9061, TT2021)	1	1
14.	36200251	Valve Cage	6	6	30.	90502200	Back-up Ring	3	3		51021535	Crankshaft (TT9051, TT9111)	1	1
15.	90384700	O-ring	6	6	31.	96707000	Washer, Flinger	3	3		51020935	Crankshaft (TT9071, TT2028)	1	1
16.	98221800	Valve Cap	6	6	32.	97731000	Connecting Rod Pin	3	3		51021835	Crankshaft (TT2035)	1	1
17.	36703201	Valve Assembly	6	6	33.	51160022	Crankcase Cover	1	1					
18.	51100051	Head Ring, 15 mm	3	3										
	51100151	Head Ring, 18 mm	3	3										

REPAIR KITS

KIT NO.	1	83	84	86 (15 mm)	96 (15mm)	97 (15mm)	139 (18mm)	140 (18mm)	141 (18mm)
ITEM NO's INCLUDED IN KIT	10, 11, 12, 13, 14 (17)	5	15, 16	20, 21, 22	18, 19, 20, 21, 22	18, 19, 21, 22	20, 21, 22	18, 19, 20, 21, 22	18, 19, 21, 22
NUMBER OF ASSEMBLIES IN KIT	6	3	6	3	1	3	3	1	3
NUMBER OF CYLINDERS KIT WILL SERVICE	3	3	3	3	1	3	3	1	3

TORQUE SPECS*

Position	Ft. Lbs.
2	29.4
6	14.7
9	8.8
16	33.1
23	13.2
26	11.0
34	7.3
38	22.1
40	7.3
49	14.7
52	7.3

* Decrease torque by 20% if threads are lubricated

