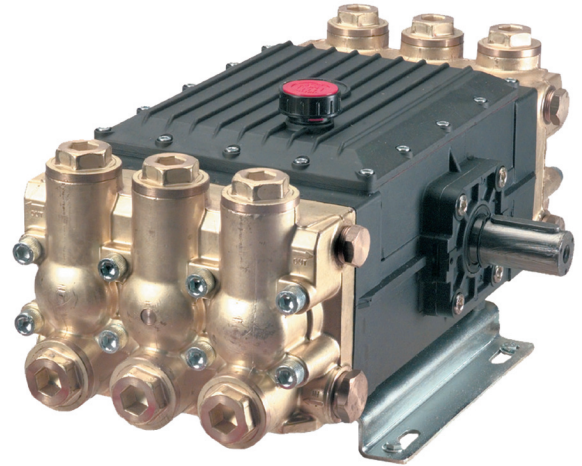


T Series 77

30 mm bore – Sixplex Plunger Pump

FEATURES

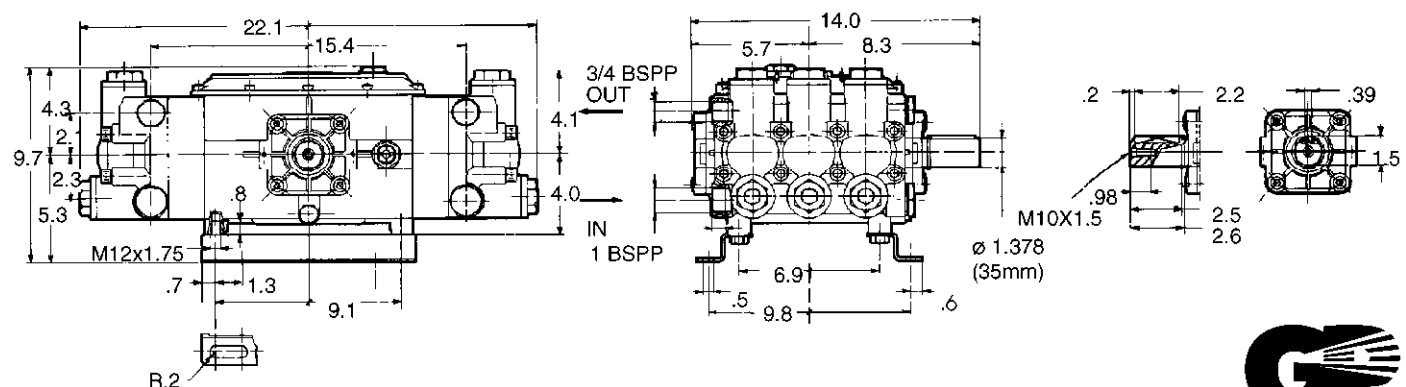
- Forged brass manifold with exclusive lifetime warranty
- High flow applications
- Dual manifolds utilizing a common crankcase for efficient performance
- Solid ceramic plungers with continuously lubricated packings
- Unitized stainless steel inlet and discharge valves
- Bronze connecting rods for maximum life

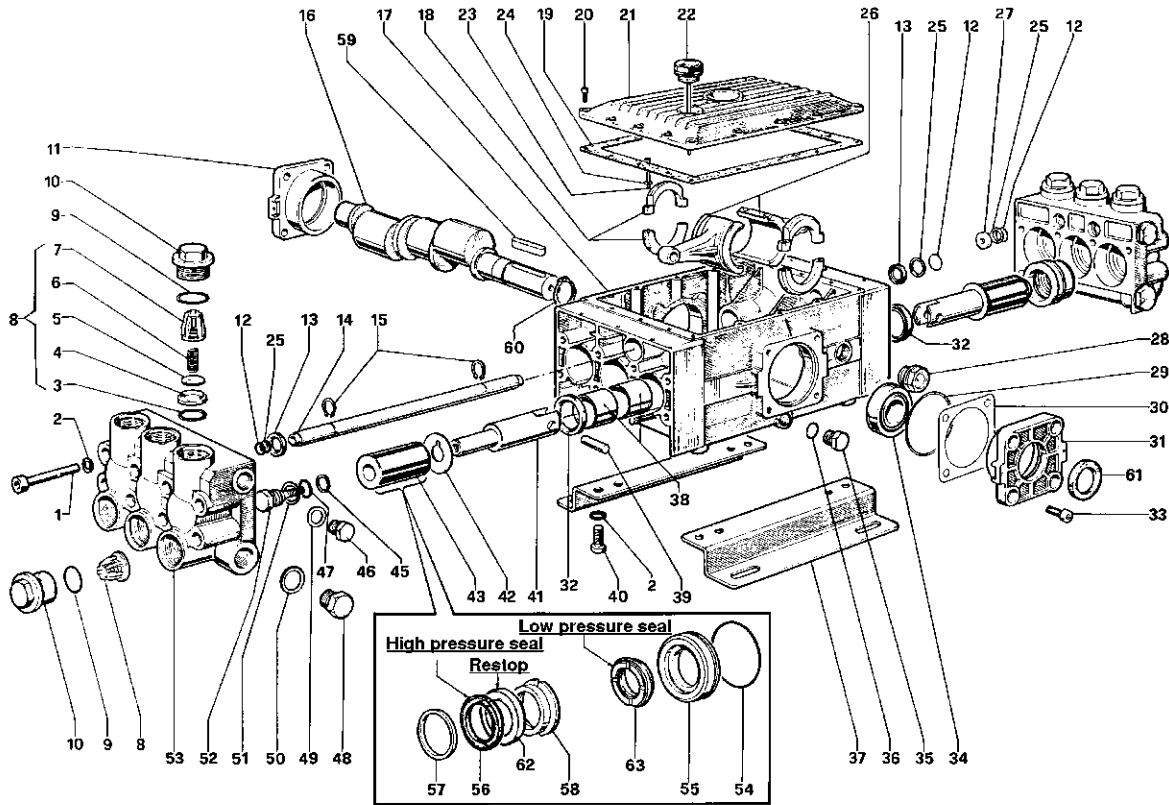


SPECIFICATIONS

Pump Model	T1591
Maximum Volume	28.0 GPM
Maximum Discharge Pressure	2175 PSI
Maximum Pump Speed	1000 RPM
Maximum Inlet Pressure	125 PSI
Maximum Inlet Vacuum	9 ft. water (7.9 in. Hg)
Bore	1.181 in. / 30 mm
Stroke	1.102 / 28
Crankcase Oil Capacity	71 oz.
Maximum Fluid Temperature	165°F
Inlet Port Thread	1-11 BSPP-F
Discharge Port Thread	3/4-14 BSPP-F
Shaft Diameter.	1.378 in. / 35 mm
Weight	156 lbs.
Dimensions	22.1 x 14.0 x 9.7 in.

DIMENSIONAL DRAWING





PARTS LIST

ITEM PART NO.	DESCRIPTION	KIT NO.	QTY.	ITEM PART NO.	DESCRIPTION	KIT NO.	QTY.	ITEM PART NO.	DESCRIPTION	KIT NO.	QTY.
1.	99.4418.00	Screw	16	21.	77.2114.22	Cover	1	42.	96.7568.00	Washer	6
2.	96.7195.00	Washer	20	22.	98.2272.00	Oil Dip Stick	1	43.	76.0400.56	Plunger (30 mm)	6
3.	90.4059.00	O-Ring	43	23.	99.1927.00	Screw	12	45.	90.5107.00	Anti-Ext. Ring	74
4.	36.2011.66	Valve Seat	43	24.	96.6938.00	Washer	12	46.	98.2265.00	Cap	3
5.	36.2010.76	Valve	43	25.	90.5091.00	Anti-Ext. Ring	4	47.	90.3841.00	O-Ring	74
6.	94.7450.00	Spring	43	26.	77.0302.41	Connecting Rod	3	48.	98.2325.00	Cap	2
7.	36.2009.51	Valve Guide	43	27.	77.2203.70	Cap	2	49.	96.7700.00	Washer	3
8.	36.7065.01	Valve Unit	43	28.	97.5968.00	Oil Indicator	1	50.	96.7870.00	Washer	2
9.	90.4065.00	O-Ring	12	29.	90.4141.00	O-Ring	2	51.	96.7555.00	Washer	74
10.	98.2420.00	Cap	12	30.	76.2200.78	Shim	2	52.	69.2195.66	Plunger Bolt	74
11.	76.1501.22	Cover	1	31.	76.1500.22	Crankcase	1	53.	77.1210.41	Manifold	2
12.	90.3835.00	O-Ring	4	32.	90.1670.00	Ring	44	54.	90.3903.00	O-Ring	114, 115
13.	90.1614.00	Ring	4	33.	99.3652.00	Screw	8	55.	76.0800.70	Packing Retainer	114, 115
14.	77.2122.93	Head Conn. Tube	1	34.	91.8474.00	Bearing	2	56.	90.2770.00	Packing	113, 115
15.	90.0605.00	Cir-Clip	2	35.	98.2100.00	Cap	1	57.	69.1000.51	Head Ring	65, 115
16.	76.0210.35	Crankshaft	1	36.	90.3833.00	O-Ring	1	58.	69.2167.70	Intermed. Ring	66, 115
17.	77.0100.22	Crankcase	1	37.	76.2000.74	Foot	2	59.	91.4978.00	Key	1
18.	77.2120.01	Ring	6	38.	90.9172.00	Bushing	12	60.	90.0695.00	Cir-Clip	1
19.	77.2118.84	Gasket	1	39.	97.7400.00	Plunger Pin	6	61.	90.1672.00	Ring	32
20.	99.1867.00	Screw	16	40.	99.4266.00	Screw	4	62.	90.2774.00	Ring	113, 115
				41.	77.0500.54	Plunger Guide	6	63.	90.2776.00	Seal, Low Press., 30mm	113, 115

REPAIR KITS

KIT NO.	32	43	44	65	66	74	113	114	115
ITEM NO.s INCLUDED IN KIT	61	3, 4, 5, 6, 7 (8)	32	57	58	45, 47, 51, 52	56, 62, 63	54, 55	54, 55, 56, 57, 58, 62, 63
NUMBER OF ASSEMBLIES IN KIT	2	6	3	6	3	3	3	3	1
NUMBER OF CYLINDERS KIT WILL SERVICE	-	6	3	6	3	3	3	3	1

TORQUE SPECS*

Position	Ft.-lbs.
1	51.5
10	95.8
20	7.3
23	8.8
28	13.2
33	29.4
35	29.4
40	51.5
46	51.5
48	73.7
52	29.4

*Decrease torque by 20% if threads are lubricated.

