

## FEATURES

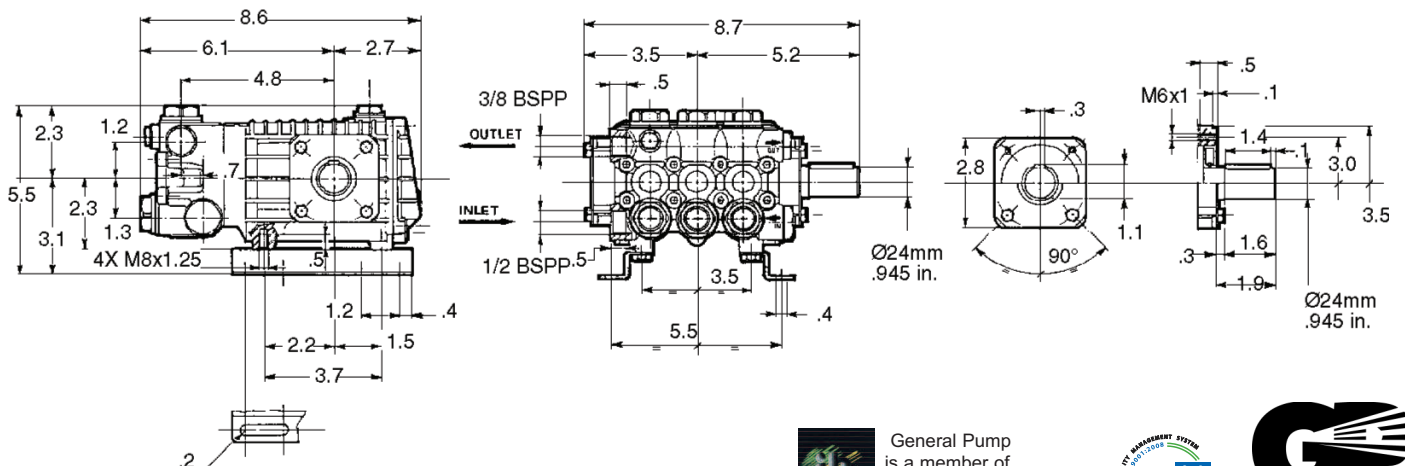
- Solid ceramic plunger design
- Flex coupling and bell housing available for direct drive
- Forged brass manifold with an exclusive lifetime warranty and 4:1 hydrostatic rating
- Die-cast, anodized aluminum, oil-bath crankcase
- Premium roller bearing
- Unitized stainless steel inlet and discharge valves
- Available in "L" left-handed versions



## SPECIFICATIONS

Pump Model	EZ2536S	EZ2542S	EZ2545S	EZ2555S	EZ3040S	EZ3042S
Maximum Volume	3.6 GPM	4.2 GPM	4.6 GPM	5.5 GPM	4.0 GPM	4.2 GPM
Maximum Discharge Pressure	2500 PSI			3000 PSI		
Maximum Pump Speed	1750 RPM		3400 RPM		1750 RPM	
Maximum Inlet Pressure	125 PSI					
Maximum Inlet Vacuum	3 ft. water (2.6 in. Hg)			9 ft. water (7.9 in. Hg)		
Plunger Bore	.708 in. / 18 mm		.591 in. / 15 mm		.708 in. / 18 mm	
Plunger Stroke (in. / mm)	.433 / 11	.512 / 13	.433 / 11	.512 / 13	.374 / 9.5	.512 / 13
Crankcase Oil Capacity	14.0 oz.					
Maximum Fluid Temperature	165° F					
Inlet Port Thread	1/2-14 BSPP-F					
Discharge Port Thread	3/8-19 BSPP-F					
Shaft Diameter	.945 in. / 24 mm					
Weight	18 lbs.					
Dimensions	8.6 in. x 8.7 in. x 5.5 in.					

## DIMENSIONAL DRAWING

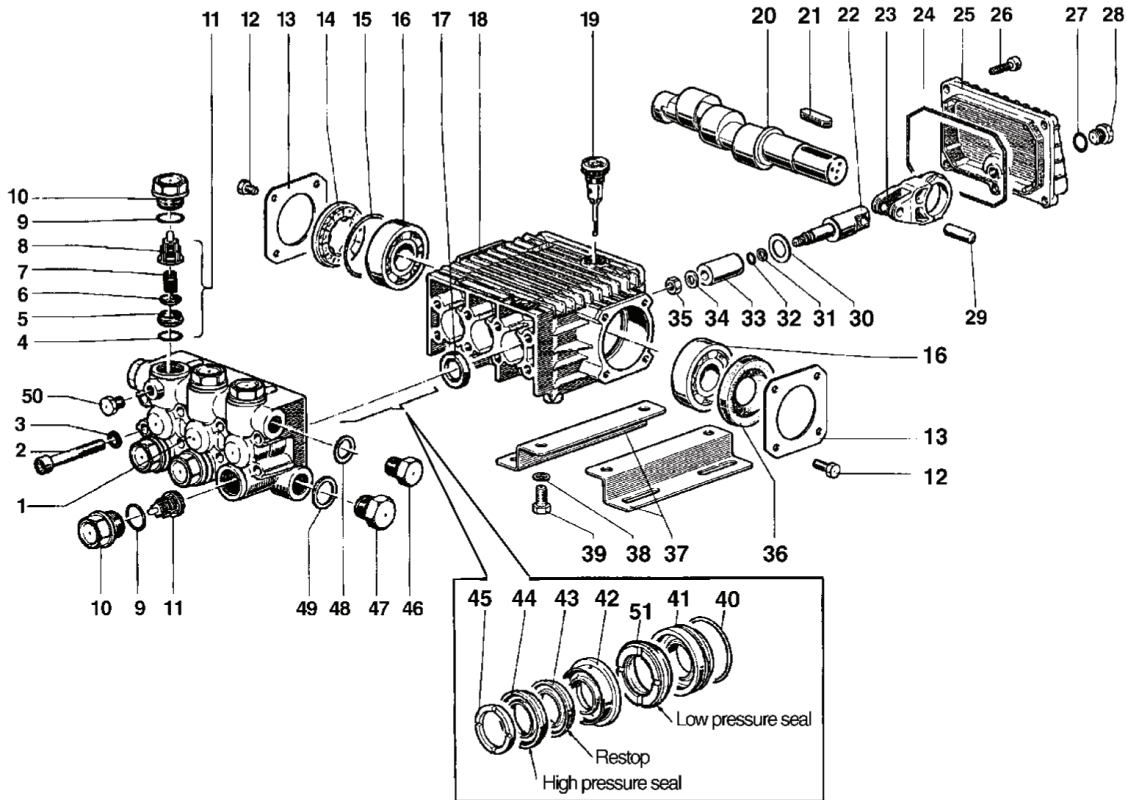


General Pump  
is a member of  
the Interpump Group



# EZ Series 44-2500/3000 PSI

# GENERAL PUMP A member of the Interpump Group



## PARTS LIST

ITEM	PART NO.	DESCRIPTION	KIT NO.	QTY.	ITEM	PART NO.	DESCRIPTION	KIT NO.	QTY.	ITEM	PART NO.	DESCRIPTION	KIT NO.	QTY.
1.	44120441	Manifold, 18 mm		1	20.	44020035	Crankshaft (EZ3040S)		1	40.	90361200	O-ring, 18mm	126,131	3
	44120041	Manifold, 15 mm				44020335	Crankshaft (EZ2536S, EZ2545S)				90361200	O-ring, 15 mm	125,130	
2.	99317500	Screw		8		44020635	Crankshaft (EZ2542S, EZ2555S, EZ3042S)			41.	44080170	Packing Retainer, 18mm	126,131	3
3.	96701400	Washer		8							44080070	Packing Retainer, 15mm	125,130	
4.	90384100	O-ring	123	6	21.	90489200	Key		1	42.	44216170	Intern. Ring, 18 mm	128,131	3
5.	36200366	Valve Seat	123	6	22.	44050066	Plunger Guide		3		52216670	Intern. Ring, 15 mm	89,130	
6.	36200176	Valve	123	6	23.	44030022	Connecting Rod		3	43.	90268300	Packing, 18mm	127,131	3
7.	94737600	Spring	123	6	24.	90392000	O-ring		1		90262200	Packing, 15mm	88,130	
8.	36202551	Valve Cage	123	6	25.	44160022	Rear Cover		1	44.	90268200	Packing, 18mm	127,131	3
9.	90384700	O-ring	124	6	26.	99183700	Screw		5		90262000	Packing, 15mm	88,130	
10.	98222600	Cap Screw	124	6	27.	90358500	O-ring		1	45.	44100151	Head Ring, 18mm	129,131	3
11.	36711501	Valve Assembly	123	6	28.	98204100	Cap Screw		1		51100051	Head Ring, 15mm	90,130	
12.	99180700	Screw		4	29.	97734000	Pin		3	46.	98210000	Cap Screw		1
13.	50150074	Bearing Cover		1	30.	96735000	Washer		3	47.	98217600	Cap Screw		1
14.	44211801	Spacer		1	31.	90502200	Anti-extrusion Ring		3					
15.	90409700	O-ring		1	32.	90357200	O-ring		3	48.	96738000	Washer		1
16.	91832900	Ball Bearing		1	33.	44040109	Plunger, 18 mm		3	49.	96751400	Washer		1
	91304200	Ball Bearing (EZ3042S)				52040009	Plunger, 15 mm)			50.	98196600	Cap Screw		1
17.	90161400	Oil Seal	23	3	34.	96700800	Washer		3	51.	90268400	Seal, Low Pressure, 18 mm	127,131	1
18.	44010022	Crankcase		1	35.	92221600	Nut		3		90261700	Seal, Low Pressure, 18 mm	88,130	1
19.	98210300	Oil Dip Stick		1	36.	90164100	Oil Seal		1					

## REPAIR KITS

KIT NO.	All K23	(15mm) (18 mm) K88 or K127	(15mm) (18 mm) K89 or K128	(15mm) (18 mm) K90 or K129	All K123	All K124	(15mm) (18 mm) K125 or K126	(15mm) (18 mm) K130 or K131
ITEM NO's INCLUDED IN KIT	17	43, 44, 51	42	45	4, 5, 6, 7, 8 (11)	9, 10	40, 41	40, 41, 42, 43, 44, 45, 51
NUMBER OF ASSEMBLIES IN KIT	3	3/6	3	6	6	6	3	1
NUMBER OF CYLINDERS KIT WILL SERVICE	3	3	3	3	3	3	3	1

## TORQUE SPECS\*

Pos.	Ft/lb	N-M
2	14.7	20
10	95.9	130
12	7.3	10
26	7.3	10
28	14.7	20
35	11.0	15
39	14.7	20
46	29.4	40
47	29.4	40
50	9.6	13

\* Decrease torque by 20% if threads are lubricated

