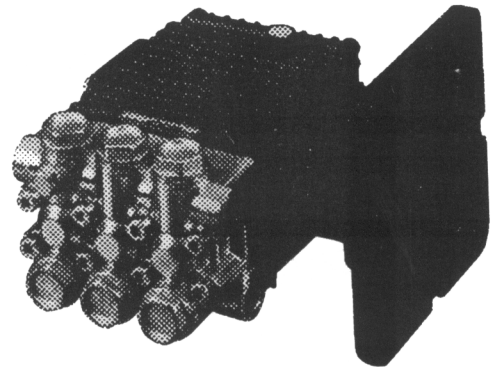


# EZ Series 44 E

## 2500 PSI, Triplex Plunger Pump

### FEATURES

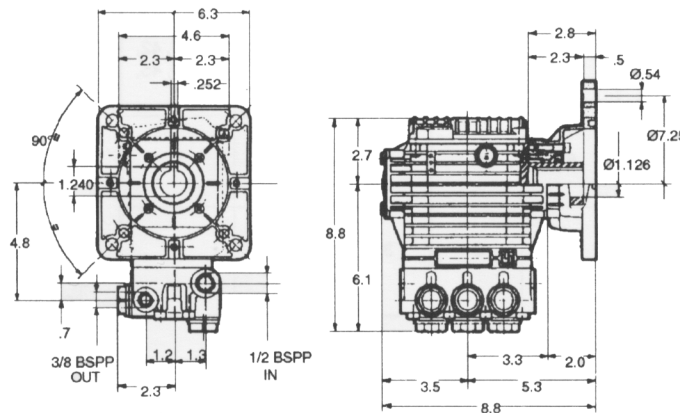
- Solid ceramic plungers
- NEMA 184C mounting flange
- Forged brass manifold with an exclusive lifetime warranty and 4:1 hydrostatic rating
- Die-cast, anodized aluminum, oil-bath crankcase
- Premium roller bearing
- Unitized stainless steel inlet and discharge valves
- Ideal for all general pressure cleaning and washing applications
- Available in "L" left-handed versions

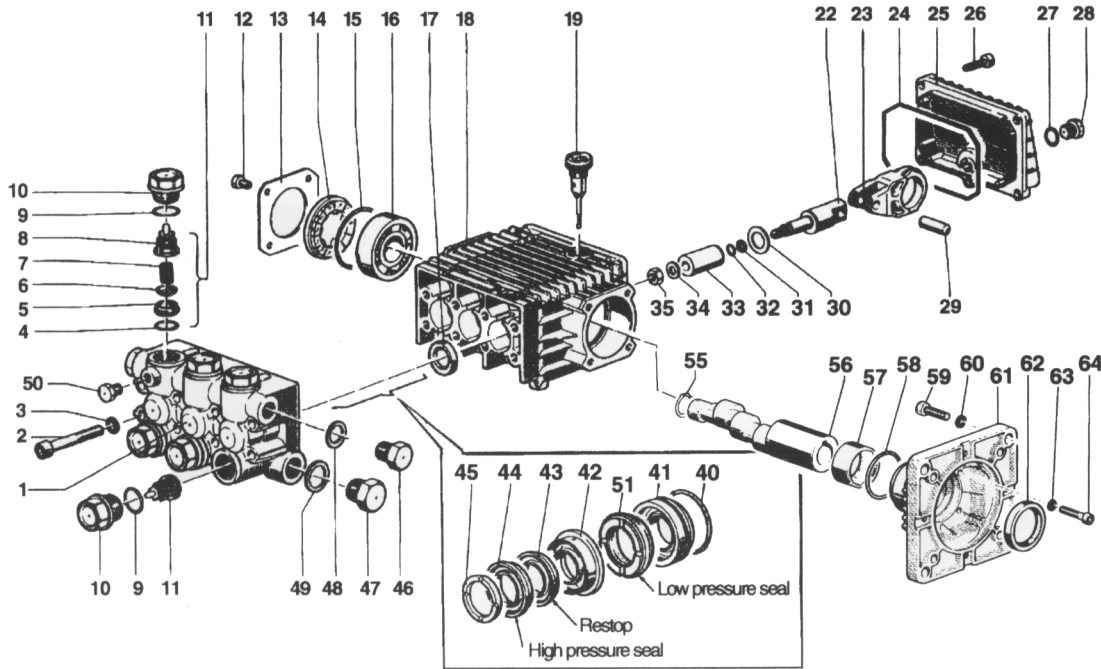


### SPECIFICATIONS

Pump Model	EZ2536E	EZ2542E	EZ2545E	EZ2555E
Maximum Volume	3.6 GPM	4.2 GPM	4.6 GPM	5.5 GPM
Maximum Discharge Pressure	2500 PSI			
Maximum Pump Speed	1750 RPM		3400 RPM	
Maximum Inlet Pressure	125 PSI			
Maximum Inlet Vacuum	3 ft. water (2.6 in. Hg)			
Bore	.708 in. / 18 mm		.591 in. / 15 mm	
Stroke (in./mm)	.433 / 11	.512 / 13	.433 / 11	.512 / 13
Crankcase Oil Capacity	14.0 oz.			
Maximum Fluid Temperature	165°F			
Inlet Port Thread	1/2-14 BSPP-F			
Discharge Port Thread	3/8-19 BSPP-F			
Hollow Shaft I.D.	1.125 in. / 28.5 mm			
Weight	18.5 lbs.			
Dimensions	8.8 x 8.8 x 6.3 in.			

### DIMENSIONAL DRAWING





## PARTS LIST

Item	Part No.	Description	Kit No.	Qty.
1.	44.1200.41	Manifold (15 mm)		1
	44.1204.41	Manifold (18 mm)		1
2.	99.3175.00	Screw		8
3.	96.7014.00	Washer		8
4.	90.3841.00	O-Ring	123	6
5.	36.2003.66	Valve Seat	123	6
6.	36.2001.76	Valve	123	6
7.	94.7376.00	Spring	123	6
8.	36.2025.51	Valve Cage	123	6
9.	90.3847.00	O-Ring	124	6
10.	98.2226.00	Cap Screw	124	6
11.	36.7115.01	Valve Assembly	123	6
12.	99.1807.00	Screw		4
13.	50.1500.74	Bearing Cover		1
14.	44.2118.01	Spacer		1
15.	90.4097.00	O-Ring		1
16.	91.8328.00	Ball Bearing		1
17.	90.1614.00	Oil Seal	23	3
18.	44.0100.22	Crankcase		1
19.	98.2103.00	Oil Dip Stick		1
22.	44.0500.66	Plunger Guide		3
23.	44.0300.22	Connecting Rod		3
24.	90.3920.00	O-Ring		1
25.	44.1600.22	Rear Cover		1
26.	99.1837.00	Screw		5
27.	90.3585.00	O-Ring		1
28.	98.2041.00	Cap Screw		1

Item	Part No.	Description	Kit No.	Qty.
29.	97.7340.00	Pin		3
30.	96.7350.00	Washer		3
31.	90.5022.00	Anti-Extrusion Ring		3
32.	90.3572.00	O-Ring		3
33.	44.0401.09	Plunger, 18mm (EZ2536E, EZ2542E)		3
	52.0400.09	Plunger, 15mm (EZ2545E, EZ2555E)		3
34.	96.7008.00	Washer		3
35.	92.2216.00	Nut		3
40.	90.3612.00	O-Ring	126, 131	3
		(EZ2536E, EZ2542E)		
	90.3612.00	O-Ring	125, 130	3
		(EZ2545E, EZ2555E)		
41.	44.0801.70	Packing Retainer	126, 131	3
		(EZ2536E, EZ2542E)		
	44.0800.70	Packing Retainer	125, 130	3
		(EZ2545E, EZ2555E)		
42.	44.2161.70	Intermediate Ring	128, 131	3
		(EZ2536E, EZ2542E)		
	52.2166.70	Intermediate Ring	89, 130	3
		(EZ2545E, EZ2555E)		
43.	90.2683.00	Packing	127, 131	3
		(EZ2536E, EZ2542E)		
	90.2622.00	Packing	88, 130	3
		(EZ2545E, EZ2555E)		
44.	90.2682.00	Packing	127, 131	3
		(EZ2536E, EZ2542E)		
	90.2620.00	Packing	88, 130	3
		(EZ2545E, EZ2555E)		

Item	Part No.	Description	Kit No.	Qty.
45.	44.1001.51	Head Ring	129, 131	3
		(EZ2536E, EZ2542E)		
	51.1000.51	Head Ring	90, 130	3
		(EZ2545E, EZ2555E)		
46.	98.2100.00	Cap Screw		1
47.	98.2176.00	Cap Screw		1
48.	96.7380.00	Washer		1
49.	96.7514.00	Washer		1
50.	98.1966.00	Cap Screw		1
51.	90.2684.00	Seal, Low Press.	127, 131	3
		(EZ2536E, EZ2542E)		
	90.2617.00	Seal, Low Press.	88, 130	3
		(EZ2545E, EZ2555E)		
55.	90.0635.00	Cir-Clip		1
56.	44.0214.65	Crankshaft (EZ2536E, EZ2545E)		1
	44.0216.65	Crankshaft (EZ2542E, EZ2555E)		1
57.	91.8568.00	Bearing		1
58.	90.4097.00	O-Ring		1
59.	99.4600.00	Screw		4
60.	96.7195.00	Washer		4
61.	10.0504.22	Elect. Flange		1
62.	90.1690.00	Seal		1
63.	96.6938.00	Washer		4
64.	99.1912.00	Screw		4

## REPAIR KITS

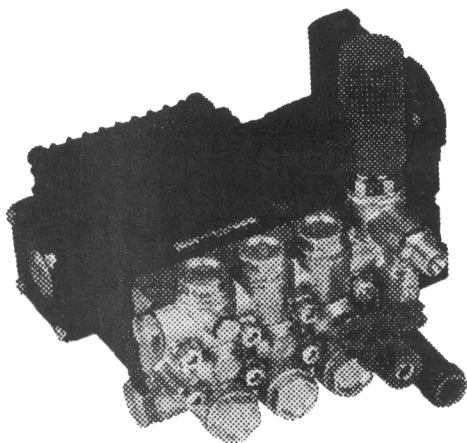
KIT NO.	23	88 or 127	89 or 128	90 or 129	123	124	125 or 126	130 or 131
ITEM NO.s INCLUDED IN KIT	17	43, 44, 51	42	45	4, 5, 6, 7, 8, (11)	9, 10	40, 41	40, 41, 42, 43, 44, 45, 51
NUMBER OF ASSEMBLIES IN KIT	3	3/6	3	6	6	6	3	1
NUMBER OF CYLINDERS KIT WILL SERVICE	3	3	3	3	3	3	3	1

## TORQUE SPECS\*

Position	Ft.-lbs.	N-M
2	14.7	20
10	73.7	100
12	7.3	10
26	7.3	10
28	14.7	20
35	11.0	15
46	29.4	40
47	29.4	40
50	9.6	13
59	14.7	20
64	7.3	10

\*Decrease torque by 20% if threads are lubricated.





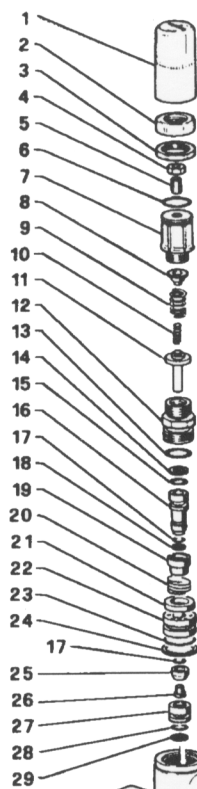
- Features a Built-In Unloader, with optional Chemical Injector and optional Inlet Fitting

- Brass construction (3000 PSI Maximum)

*General Pump recommends using a GRV safety relief device in conjunction with this unloader valve when installed on a positive displacement pump. General Pump is not liable and assumes no responsibility for this valve when used in a customer's high pressure system.*

## PARTS LIST

### Built-in Unloader Injector for EZ Series Pumps



No.	Part Number	Description	Kit	Qty.
1.	36.3187.51	Knob		1
2.	36.3186.70	Nut, Ring		1
3.	92.2935.00	Nut, M28 x 1.5		1
4.	92.2218.00	Nut, M8		1
5.	99.3054.00	Screw, M8 x 20		1
6.	90.3598.00	O-Ring, .801 x .070		1
7.	36.3185.70	Register, Pressure		1
8.	36.3169.70	Cap		1
9.	94.7436.00	Spring, Ø15 x 35 mm		1
10.	94.7345.00	Spring, Ø7.6 x 29 mm		1
11.	36.3233.70	Cap, Lower		1
12.	36.3228.70	Bushing, Guide		1
13.	90.3857.00	O-Ring, .937 x .103		1
14.	90.5052.00	Ring, Back-up	†	1
15.	90.3820.00	O-Ring, .359 x .103	†	1
16.	36.3234.70	Piston, Valve	†	1
17.	90.3575.00	O-Ring, .266 x .070	†	2
18.	90.5025.00	Ring, Back-up	†	1
19.	36.3230.70	Spacer	†	1
20.	94.7485.00	Spring	†	1
21.	36.3231.72	Valve	†	1
22.	36.3229.70	Guide, Valve	†	1
23.	90.3600.00	O-Ring, .864 x .070	†	1
24.	90.5144.00	Ring, Back-up	†	1
25.	36.3190.66	Valve, Ball	†	1
26.	99.1509.00	Screw, M5 x 7.5	†	1
27.	36.3164.66	Seat, Valve	†	1
28.	90.3822.00	O-Ring, .391 x .103	†	1

No.	Part Number	Description	Kit	Qty.
29.	90.5065.00	Ring, Back-up	†	1
30.	90.3832.00	O-Ring, .549 x .103	*	1
31.	10.0078.70	Nipple, 3/8"		1
	10.0147.70	Nipple, M22 x 1.5		1
32.	98.2057.00	Cap, M14 x 1.5		1
33.	98.1966.00	Cap, 1/8 x 8		1
34.	44.1201.41	Manifold, Pump (Ø15 mm)		1
	44.1205.41	Manifold, Pump (Ø18 mm)		1
40.	90.3822.00	O-Ring, .391 x .103	*	1
41.	10.0151.66	Nozzle, Ø2 mm (Up to 3 GPM)		1
	10.0176.66	Nozzle, Ø2.2 mm (3 to 4.5 GPM)		1
42.	90.3582.00	O-Ring, .364 x .070	*	1
43.	94.8217.00	Spring	*	1
44.	97.4782.00	Ball, 7/32"	*	1
45.	90.3572.00	O-Ring, .208 x .070	*	1
46.	94.7383.00	Spring	*	1
47.	90.3580.00	O-Ring, .343 x .070	*	1
48.	36.2564.70	Shutter		1
49.	36.2565.51	Knob		1
50.	90.3570.00	O-Ring, .176 x .070	*	2
51.	36.2566.70	Coupling		1
52.	36.3181.51	Body		1
53.	90.3585.00	O-Ring, .426 x .103	*	1
54.	36.2563.70	Seat, Valve		1

#### OPTIONAL INLET FITTINGS

60.	90.3841.00	O-Ring		1
61.	36.3182.51	Nipple, 3/4 BSPP-M		1
62.	92.8925.00	Filter		1
66.	701115	O-Ring		1
67.	680006	Fitting		1
68.	700004	Filter		1
* KIT 94 Repair Kit, Chemical Injector				
† KIT 137 Repair Kit, Unloader Valve				

