



**CATALOG** VOLUME 13A



**REPLACEMENT PUMPS FOR  
AGRICULTURAL SPRAYERS AND  
FLUID TRANSFER  
APPLICATIONS**



**A NEW DIRECTION IN SPRAYING**  
EVERFLOPUMP.COM 1-800-864-1649

## 1.0 GPM PUMP SPECS

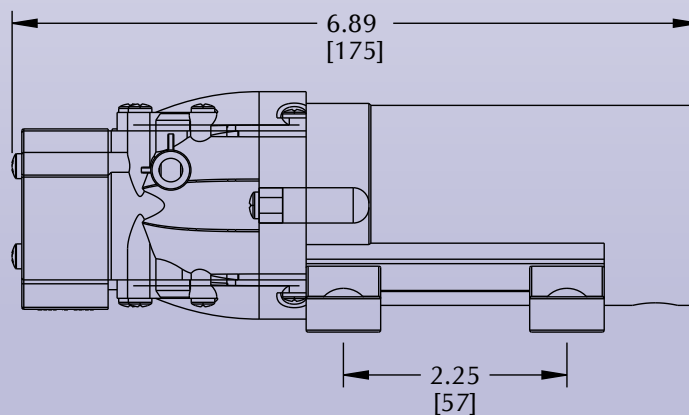
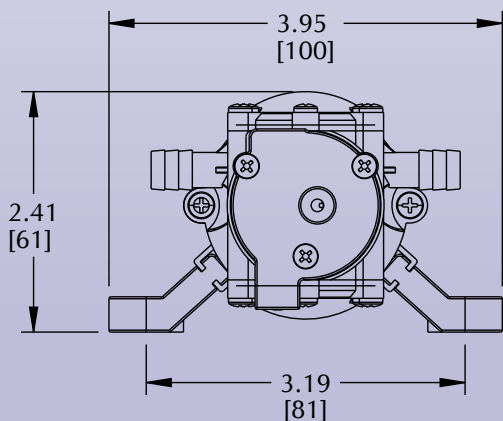


- Polypropylene pump housing and valve plate
- Viton® Valves - Santoprene® Diaphragm
- Zinc Plated Steel fasteners
- Polypropylene 2" Motor Shell
- Honeywell™ Micro Switch™
- 40 PSI (2.8 Bar) Max
- 1.0 GPM (3.8 LPM) Max
- Round-Up® Ready
- Self Priming to 4 Feet
- Max Fluid Temp 140 Deg F
- 12V DC
- 4.0 Max Amps
- 3/8" Barb
- CE Approved\*
- 1.3 lbs Dry

Inline Fuse!

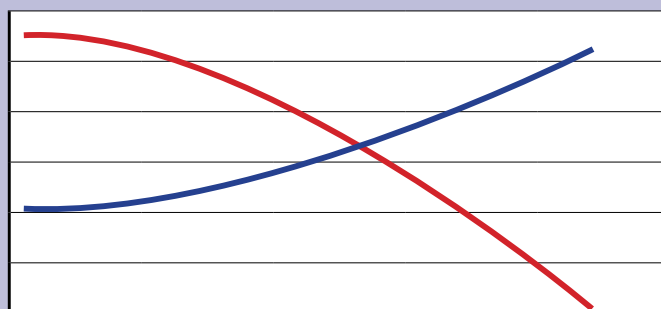


MODEL	DESCRIPTION	PORTS	PACKAGING	UPC
EF1000	1.0 GPM 12 Volt Diaphragm Pump	3/8" Barb	Bulk	N/A
EF1000-BC	1.0 GPM 12 Volt Diaphragm Pump - Barcoded	3/8" Barb	Bulk/BC	81448501342-0
EF1000-BOX	1.0 GPM 12 Volt Diaphragm Pump - Box	3/8" Barb	Boxed	81448501039-9



Pressure PSI/Bar	Current (Amps)	Flow GPM/LPM
0/0	1.8	1.00/3.79
10/.7	2.2	0.90/3.41
20/1.4	2.6	0.80/3.03
30/2.1	2.9	0.65/2.46
40/2.8	3.1	0.50/1.89
50/3.4	N/A	N/A
60/4.1	N/A	N/A

Flow  
(GPM)  
1.0  
0.8  
0.6  
0.4  
0.2  
0.0



Current  
(AMPS)  
2.25  
2.00  
1.75  
1.50  
1.25  
1.00

0 10 20 30 40 PSI

## 2.2 GPM PUMP SPECS

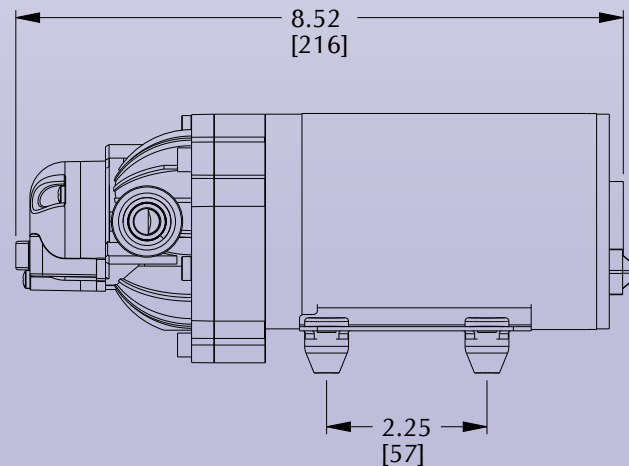
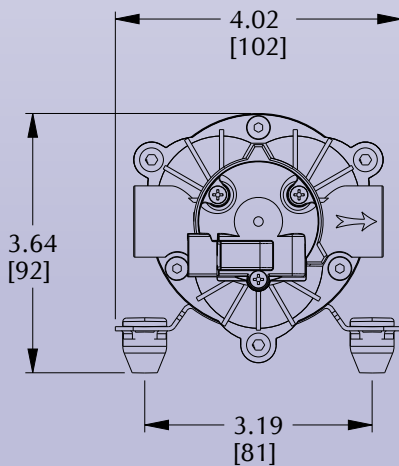


- Polypropylene pump housing and valve plate
- Viton® Valves - Santoprene® Diaphragm
- Zinc Plated Steel fasteners
- Painted Steel 3" Motor Shell
- Honeywell™ Micro Switch™
- Inline Fuse Protection
- 3/8" FNPT & QA Port Option
- 70 PSI (4.8 Bar) Max
- 2.2 GPM (8.3 LPM) Max
- Round-Up® Ready
- Self Priming to 8 Feet
- Max Fluid Temp 140 Deg. F
- 12V DC
- 8.0 Max Amps
- CE Approved
- 4.8 lbs Dry

Inline Fuse!

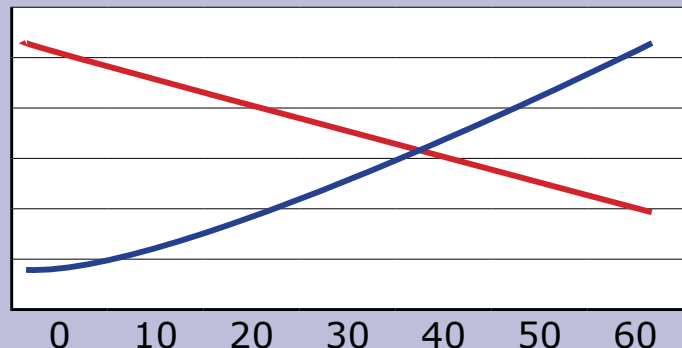


MODEL	DESCRIPTION	PORTS	PACKAGING	UPC
EF2200	2.2 GPM 12 Volt Diaphragm Pump - Bulk	3/8" FNPT	Bulk	N/A
EF2200-BC	2.2 GPM 12 Volt Diaphragm Pump - Barcoded	3/8" FNPT	Bulk/BC	81448501343-7
EF2200-QA	2.2 GPM 12 Volt Diaphragm Pump - Quick Attach	QA Port	Bulk	N/A
EF2200-BOX	2.2 GPM 12 Volt Diaphragm Pump - Boxed	3/8" FNPT	Boxed	81448501040-5
EF2200-QA-BOX	2.2 GPM 12 Volt Diaphragm Pump - Box/Quick Attach	QA Port	Boxed	81448501378-9



Pressure PSI/Bar	Current (Amps)	Flow GPM/LPM
0/0	4.2	2.20/8.33
10/0.7	4.8	2.00/7.57
20/1.4	5.4	1.84/6.97
30/2.1	6.1	1.69/6.40
40/2.8	6.6	1.58/5.98
50/3.4	7.3	1.48/5.60
60/4.1	7.8	1.35/5.11

Flow  
(GPM)  
2.25  
2.00  
1.75  
1.50  
1.25  
1.00



Current  
(AMPS)  
8.00  
7.00  
6.00  
5.00  
4.00  
3.00

## 3.0 GPM PUMP SPECS

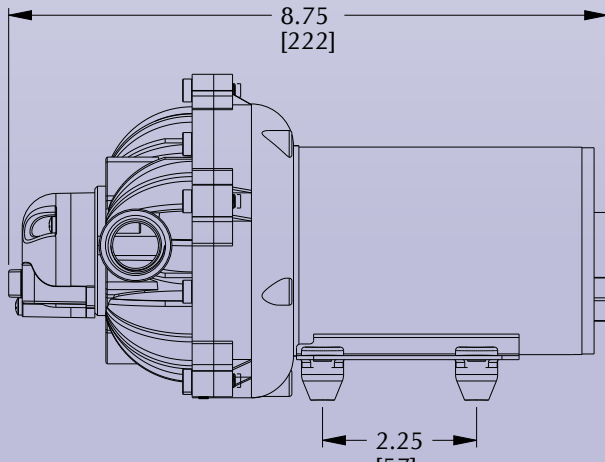
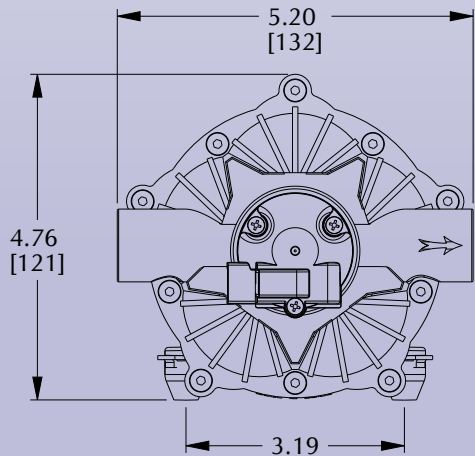


- Polypropylene pump housing and valve plate
- Viton® Valves - Santoprene® Diaphragm
- Zinc Plated Steel fasteners
- Painted Steel 3" Motor Shell
- Honeywell™ Micro Switch™
- Inline Fuse Protection
- 1/2" FNPT & QA Port Option
- 60 PSI (4.1 Bar) Max
- 3.0 GPM (11.4 LPM) Max
- Round-Up® Ready
- Self Priming to 8 Feet
- Max Fluid Temp 140 Deg F
- 12V DC
- 10.0 Max Amps
- CE Approved
- 5.6 lbs Dry

Inline Fuse!



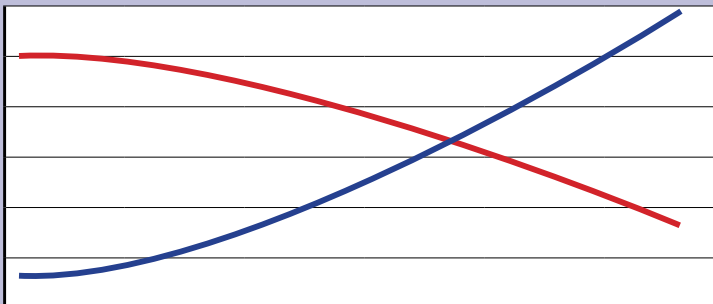
MODEL	DESCRIPTION	PORTS	PACKAGING	UPC
EF3000	3.0 GPM 12 Volt Diaphragm Pump - Bulk	1/2" FNPT	Bulk	N/A
EF3000-BC	3.0 GPM 12 Volt Diaphragm Pump - Barcoded	1/2" FNPT	Bulk/BC	81448501344-4
EF3000-QA	3.0 GPM 12 Volt Diaphragm Pump - Quick Attach	QA Port	Bulk	N/A
EF3000-BOX	3.0 GPM 12 Volt Diaphragm Pump - Boxed	1/2" FNPT	Boxed	81448501041-2
EF3000-QA-BOX	3.0 GPM 12 Volt Diaphragm Pump - Box/Quick Attach	QA Port	Boxed	81448501379-6



Pressure PSI/Bar	Current (Amps)	Flow GPM/LPM
0/0	3.9	3.8/14.38
10/.7	5.4	3.4/12.87
20/1.4	6.7	3.1/11.73
30/2.1	8.1	2.8/10.60
40/2.8	9.2	2.5/9.46
50/3.4	10	2.2/8.33
60/4.1	N/A	N/A

Flow  
(GPM)

3.5  
3.0  
2.5  
2.0  
1.5  
1.0



Current  
(AMPS)

9.00  
8.00  
7.00  
6.00  
5.00  
4.00

0 10 20 30 40 50 PSI

## 4.0 GPM PUMP SPECS

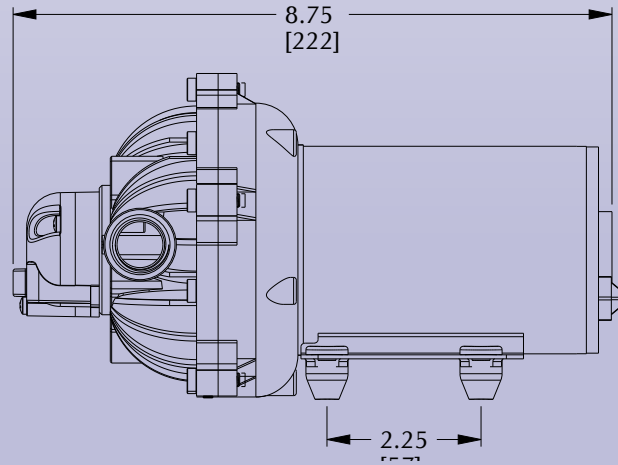
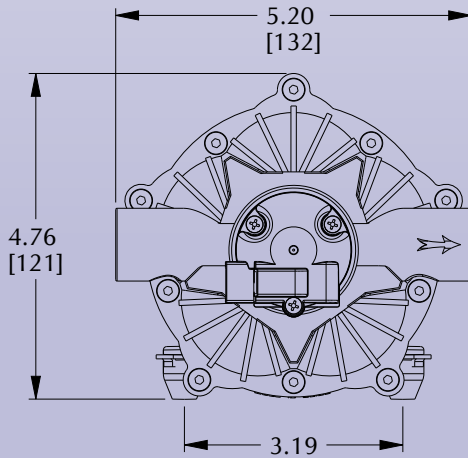


- Polypropylene pump housing and valve plate
- Viton® Valves - Santoprene® Diaphragm
- Zinc Plated Steel fasteners
- Painted Steel 3" Motor Shell
- Honeywell™ Micro Switch™
- Inline Fuse Protection
- 1/2" FNPT & QA Port Option
- 60 PSI (4.1 Bar) Max
- 4.0 GPM (15.1 LPM) Max
- Round-Up® Ready
- Self Priming to 8 Feet
- Max Fluid Temp 140 Deg F
- 12V DC
- 13.0 Max Amps
- CE Approved
- 5.6 lbs Dry

Inline Fuse!

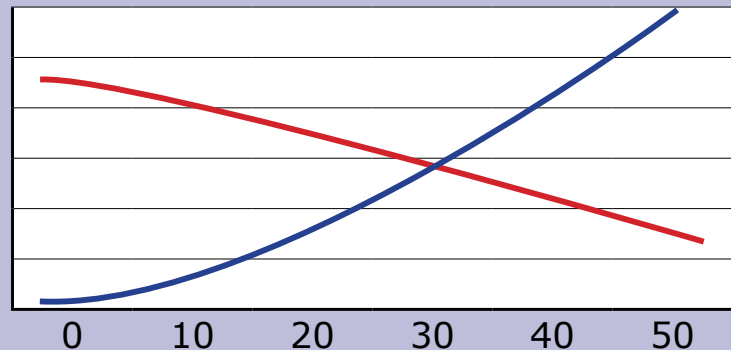


MODEL	DESCRIPTION	PORTS	PACKAGING	UPC
EF4000	4.0 GPM 12 Volt Diaphragm Pump - Bulk	1/2" FNPT	Bulk	N/A
EF4000-BC	4.0 GPM 12 Volt Diaphragm Pump - Barcoded	1/2" FNPT	Bulk/BC	81448501345-1
EF4000-QA	4.0 GPM 12 Volt Diaphragm Pump - Quick Attach	QA Port	Bulk	N/A
EF4000-BOX	4.0 GPM 12 Volt Diaphragm Pump - Boxed	1/2" FNPT	Boxed	81448501042-9
EF4000-QA-BOX	4.0 GPM 12 Volt Diaphragm Pump - Box/Quick Attach	QA Port	Boxed	81448501380-2



Pressure PSI/Bar	Current (Amps)	Flow GPM/LPM
0/0	6.2	4.8/18.17
10/.7	7.5	4.6/17.41
20/1.4	9.1	4.2/15.90
30/2.1	10.6	3.8/14.38
40/2.8	11.7	3.5/13.25
50/3.4	12.7	3.2/12.11
60/4.1	N/A	N/A

Flow  
(GPM)  
5.0  
4.5  
4.0  
3.5  
3.0  
2.5



Current  
(AMPS)  
12.00  
11.00  
10.00  
9.00  
8.00  
7.00

## 5.5 GPM PUMP SPECS

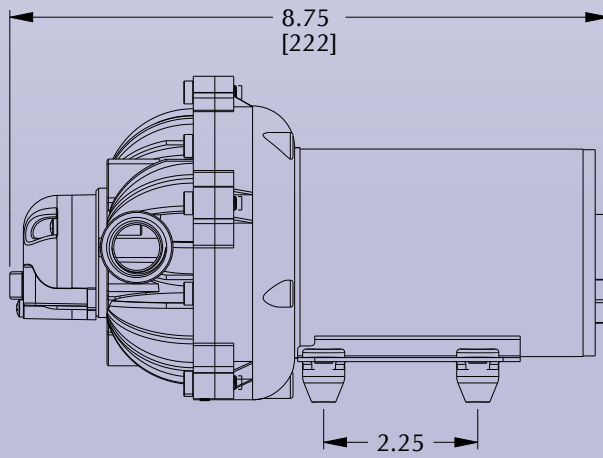
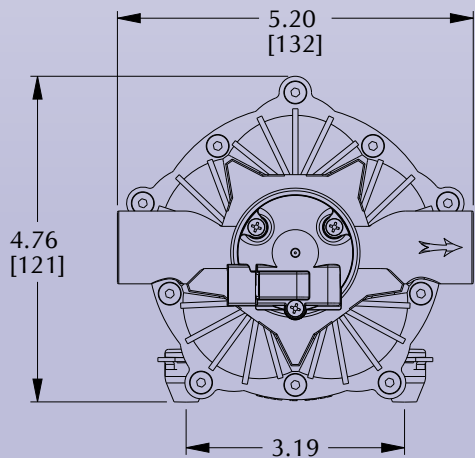


- Polypropylene pump housing and valve plate
- Viton® Valves - Santoprene® Diaphragm
- Zinc Plated Steel fasteners
- Painted Steel 3" Motor Shell
- Honeywell™ Micro Switch™
- Inline Fuse Protection
- 1/2" FNPT & QA Port Option
- 60 PSI (4.1 Bar) Max
- 5.5 GPM (20.8 LPM) Max
- Round-Up® Ready
- Self Priming to 8 Feet
- Max Fluid Temp 140 Deg F
- 12V DC
- 17.0 Max Amps
- CE Approved
- 5.6 lbs Dry

Inline Fuse!

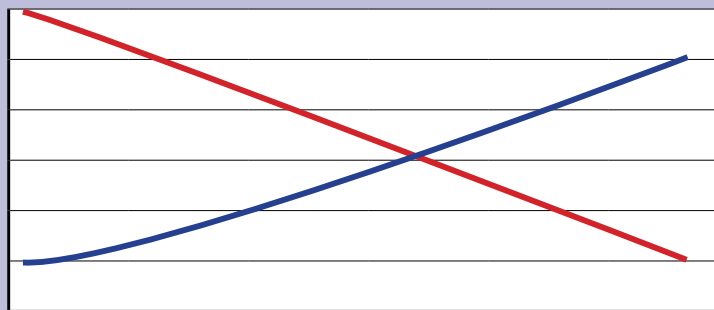


MODEL	DESCRIPTION	PORTS	PACKAGING	UPC
EF5500	5.5 GPM 12 Volt Diaphragm Pump - Bulk	1/2" FNPT	Bulk	N/A
EF5500-BC	5.5 GPM 12 Volt Diaphragm Pump - Barcoded	1/2" FNPT	Bulk/BC	81448501346-8
EF5500-QA	5.5 GPM 12 Volt Diaphragm Pump - Quick Attach	QA Port	Bulk	N/A
EF5500-BOX	5.5 GPM 12 Volt Diaphragm Pump - Boxed	1/2" FNPT	Boxed	81448501043-6
EF5500-QA-BOX	5.5 GPM 12 Volt Diaphragm Pump - Box/Quick Attach	QA Port	Boxed	81448501381-9



Pressure PSI/Bar	Current (Amps)	Flow GPM/LPM
0/0	8.6	5.8/21.96
10/.7	9.9	5.5/20.82
20/1.4	11.8	5.0/18.93
30/2.1	13.9	4.6/17.41
40/2.8	15.6	4.2/15.90
50/3.4	16.80	3.8/14.38
60/4.1	N/A	N/A

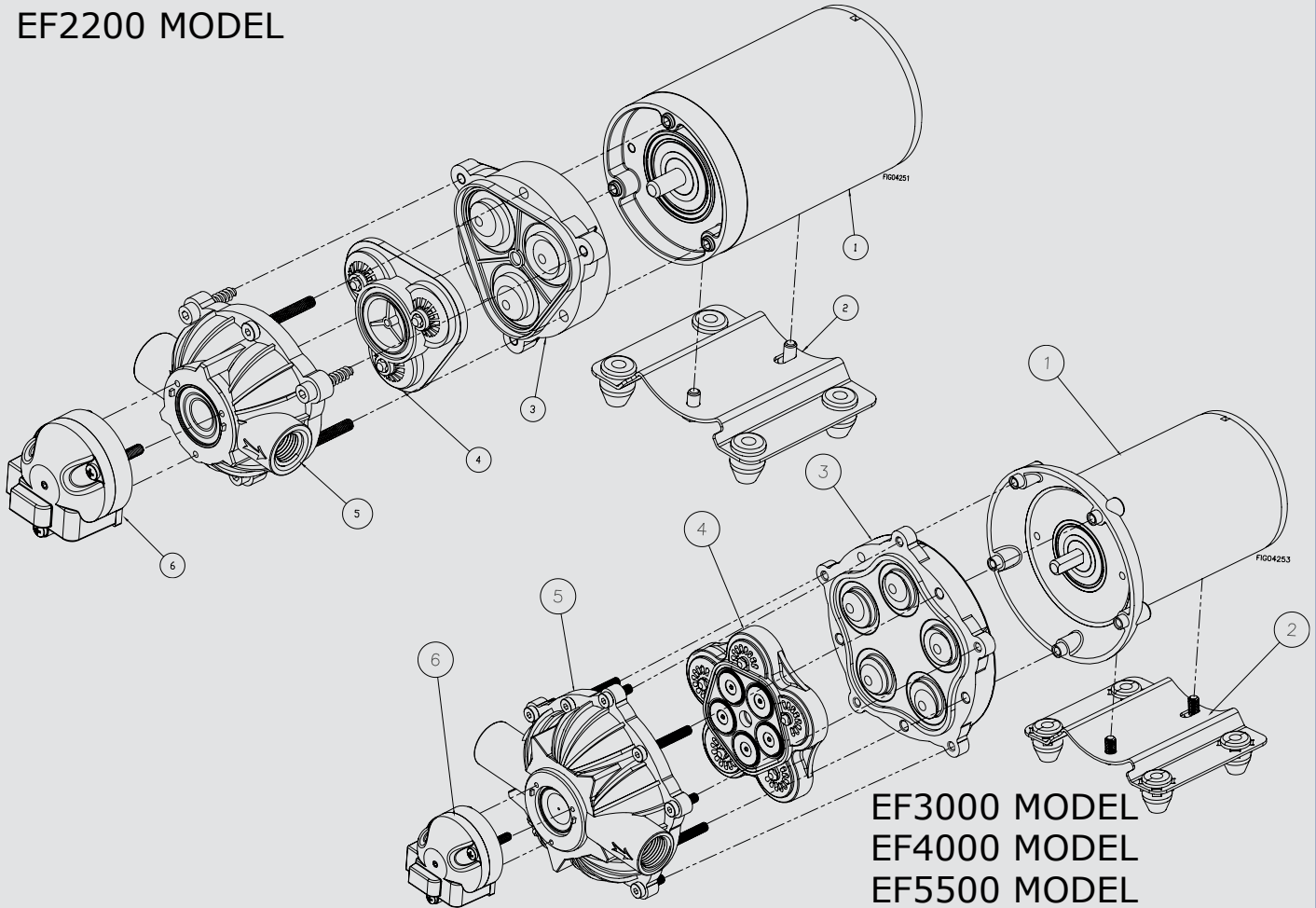
Flow  
(GPM)  
5.5  
5.0  
4.5  
4.0  
3.5  
3.0



Current  
(AMPS)  
16.0  
14.0  
12.0  
10.0  
8.0  
6.0  
PSI

## PUMP BREAKDOWNS

EF2200 MODEL



EF3000 MODEL  
EF4000 MODEL  
EF5500 MODEL

ITEM	DESCRIPTION	EF1000*	EF2200	EF3000	EF4000	EF5500
1	MOTOR	N/A	EF780371	EF780502	EF780502	EF780502
2	BASE PLATE ASSEMBLY	N/A	EF780254	EF780254	EF780254	EF780254
3	DIAPHRAGM ASSEMBLY	N/A	EF784062	EF781863	EF781864	EF780505
4	VALVE PLATE ASSEMBLY	N/A	EF778279	EF780509	EF780509	EF780509
5	PUMP HEAD ASSEMBLY	N/A	EF784063	EF785385	EF785385	EF785385
6	PRESSURE SWITCH ASSEMBLY	N/A	EF785294	EF785293	EF785293	EF785293

\*Replacement parts not available for EF1000



ITEM	DESCRIPTION	SUPPLIED W/MODELS
787195	Quick Attach x 1/2" MNPT	EF2200-QA, EF3000-QA, EF4000-QA, EF5500-QA
787192	Quick Attach x 3/8" Hose barb	EF2200-QA
787193	Quick Attach x 1/2" Hose barb	EF3000-QA, EF4000-QA
787194	Quick Attach x 3/4" Hose barb	EF5500-QA
787196	Quick Attach x 3/8" Hose barb elbow	N/A
787197	Quick Attach x 1/2" Hose barb elbow	N/A
787198	Quick Attach x 3/4" Hose barb elbow	N/A



Valley Industries  
 123 Industrial Loop Road E.  
 Paynesville, MN 56362

TOLL FREE: 1-800-864-1649  
 PHONE: 1-320-243-8500  
 FAX: 1-320-243-8030

**VISIT US AT [WWW.EVERFLOPUMP.COM](http://WWW.EVERFLOPUMP.COM)  
 AND  FOR PRODUCT  
 DEMONSTRATIONS AND TROUBLESHOOTING**

Valley Industries is dedicated to providing innovative designs and high quality products at competitive prices.

We have many years of combined experience in the diaphragm pump industry. The company is enhanced by a national sales force of men and women who are focused on providing the highest level of customer service to all that we serve.

With the support our exclusive partners, Valley Industries will continue to provide progressive ideas and specialized products.

Visit our website for more information about us, our products, and our network of partners.

This literature provides an overview of our standard models. Other models and custom configurations are available. Please consult the factory for more information and availability.

**FULL COLOR BOXES AVAILABLE!**



BROCHURE-PUMP-EF-V2