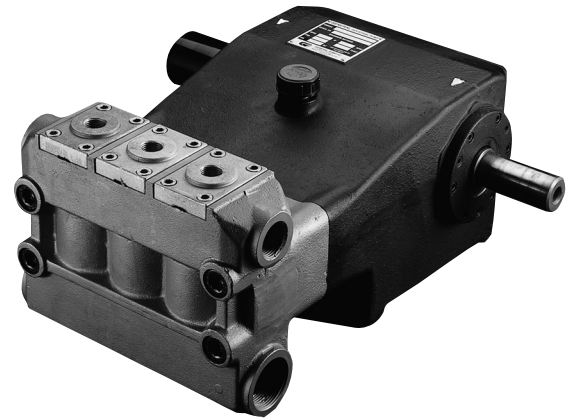


APPLICATIONS

Car Wash Series pumps are designed for a wide variety of continuous use industrial applications.

FEATURES

- Unique stacked valve arrangement provides maximum volumetric efficiency and fast, easy maintenance.
- Oversized dual self-aligning spherical roller bearings offer design flexibility.
- Cast iron crank case and one piece manifold offers unmatched strength and durability.
- Forged gas nitride hardened and tempered steel crankshaft provides superior strength for design adaptability.
- Unique one-piece ceramic plunger design prevents internal plunger fluid leakage into crankcase.
- Double lip oil seal provides added protection against oil leakage.
- Compact design provides efficient space utilization.

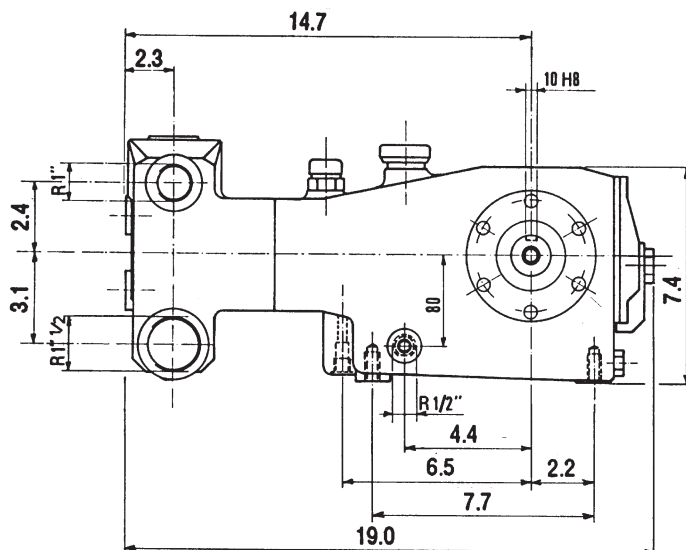


SPECIFICATIONS

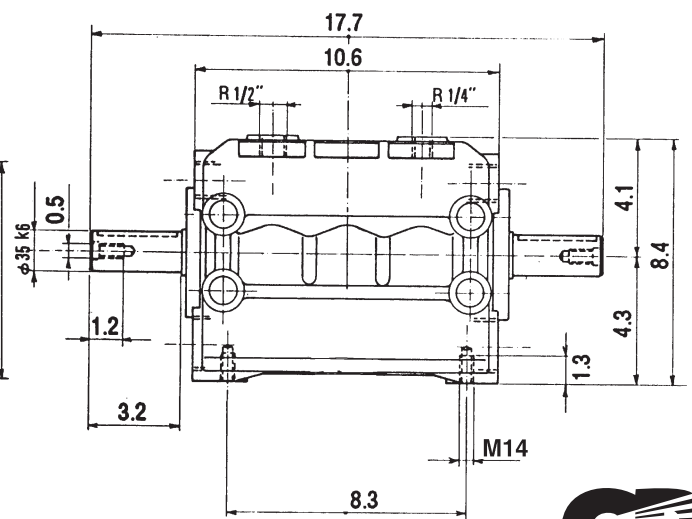
| | |
|---------------------------|------------------------|
| Maximum Volume | 36 GPM |
| Max. Discharge Pressure | 1600 PSI |
| Maximum Pump Speed | 1000 RPM |
| Inlet Pressure | Flooded to 45 PSI Max. |
| Bore | 1.575 in. / 40 mm |
| Stroke | 1.575 in. / 40 mm |
| Crankcase Capacity | 128 oz.* |
| Maximum Fluid Temperature | 140°F |
| Inlet Port Thread | 1-1/2 in. NPT-F |
| Discharge Port Thread | 1 in. NPT-F |
| Shaft Diameter | 1.378 in. / 35 mm |
| Weight | 155 lbs. |
| Dimensions | 19.0" x 17.7" x 8.4" |

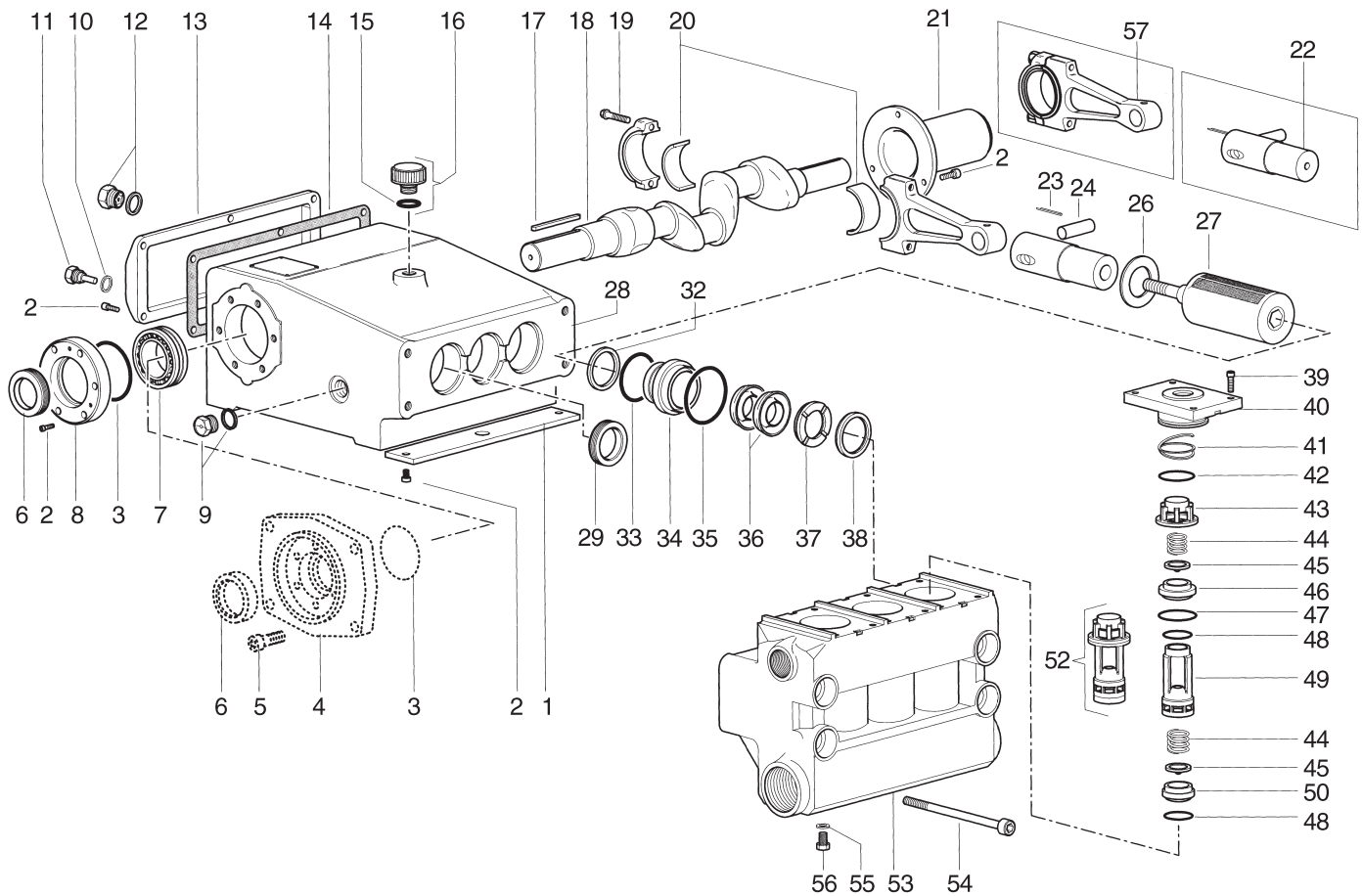
*Use GP Series 220 Oil

SIDE VIEW



END VIEW





PARTS LIST

| Pos. Code | Description | Qty. | Pos. Code | Description | Qty. | Pos. Code | Description | Qty. |
|-----------|-------------|------|-----------|-------------|------|----------------|-------------|------|
| 1. | F040000130 | 1 | 22. | F250001020 | 1 | 45. | F082200020 | 6 |
| 2. | F871115153 | 23 | 23. | F872138010 | 3 | 46. | F081200030 | 3 |
| 3. | F881013100 | 2 | 24. | F071000020 | 3 | 47. | F881011160 | 3 |
| 6. | F881080014 | 2 | 26. | F041200000 | 3 | 48. | F881011157 | 6 |
| 7. | F811110002 | 2 | 27. | F124200310 | 3 | 49. | F021300490 | 3 |
| 8. | F063400100 | 2 | 28. | F060100140 | 1 | 50. | F0812000670 | 3 |
| 9. | F801053002 | 1 | 29. | F881081002 | 3 | 52. | F208006820 | 3 |
| 10. | F872043001 | 1 | 32. | F881030017 | 3 | 53. | F064100440 | 1 |
| 11. | F801057001 | 1 | 33. | F881010012 | 3 | 54. | F871141119 | 4 |
| 12. | F801053003 | 1 | 34. | F022300870 | 3 | 55. | F872043000 | 3 |
| 13. | F063400120 | 1 | 35. | F881010012 | 3 | 56. | F084390000 | 3 |
| 14. | F080600000 | 1 | 36. | F881020011 | 6 | 57. | F250000050 | 3 |
| 15. | F881011173 | 1 | 37. | F031200100 | 3 | | | |
| 16. | F801054002 | 1 | 38. | F031300020 | 3 | Options | | |
| 17. | F071000040 | 1 | 39. | F871121954 | 12 | 4. | F010100050 | 1 |
| 18. | F050000050 | 1 | 40. | F063300020 | 0 | | F010100040 | 1 |
| 19. | F871350002 | 6 | 41. | F881112001 | 3 | 5. | F871125106 | 6 |
| 20. | F812000002 | 3 | 42. | F881010214 | 3 | | F801050002 | 1 |
| 21. | F040400010 | 1 | 43. | F021300010 | 3 | | 190169 | 1 |
| | F063300010 | 3 | 44. | F090200020 | 6 | | | |

REPAIR KITS

| KIT NO. | 1089 | 1094 | 1095 |
|--------------------------------------|----------------|--------------------|--|
| ITEM NO.S INCLUDED IN KIT | 32, 33, 35, 36 | 41, 42, 47, 48, 55 | 3, 6, 10, 14, 15, 23, 29, 32, 33, 35, 36, 41, 42, 47, 48, 55 |
| NUMBER OF ASSEMBLIES IN KIT | 3 | 3 | 3 |
| NUMBER OF CYLINDERS KIT WILL SERVICE | 3 | 3 | 3 |

TORQUE SPECS*

| Position | Ft.-lbs. |
|----------|----------|
| 4 | 30 |
| 16 | 30 |
| 28 | 36 |
| 47 | 144 |
| 48 | 30 |
| 52 | 18 |

*Decrease torque by 20% if threads are lubricated.