

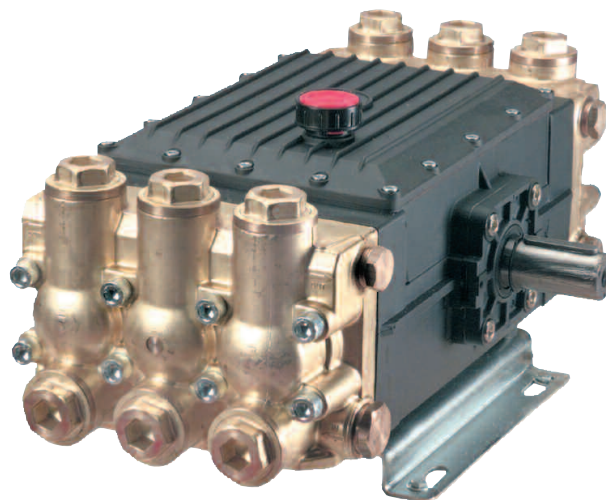
GENERAL PUMP *A member of the Interpump Group*

CW Series 77

36 mm bore - Sixplex Plunger Pump

FEATURES

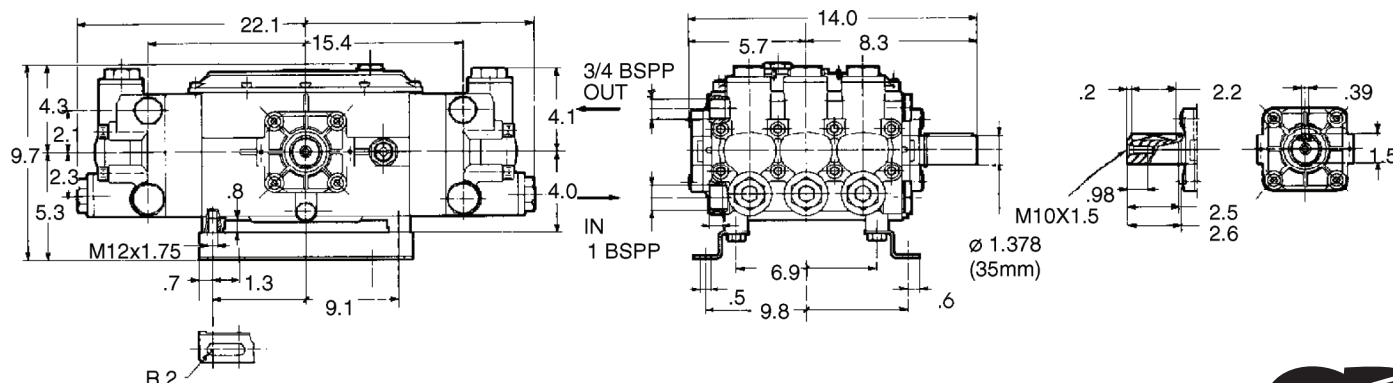
- Most widely-used pump frame in the touchless carwash industry
- Forged brass manifold with exclusive lifetime warranty
- High flow applications
- Dual manifolds utilizing a common crankcase for efficient performance
- Solid ceramic plungers with continuously lubricated oackings
- Unitized stainless steel inlet and discharge valves
- Bronze connecting rods for maximum life



SPECIFICATIONS

Pump Model	CW1541
Maximum Volume	41.0 GPM
Maximum Discharge Pressure	1200 PSI
Maximum Pump Speed	1000 RPM
Maximum Inlet Vacuum	9 ft. water (7.9 in. Hg)
Bore	1.417 in. / 36 mm
Stroke	1.102 in. / 28 mm
Crankcase Oil Capacity	2 quarts
Maximum Fluid Temperature	165 ⁰ F
Inlet Port Thread	1-11 NPT-F
Discharge Port Thread	3/4-14 NPT-F
Shaft Diameter	1.378 in. / 35 mm
Weight	156 lbs.
Dimensions	22.1" x 14.0" x 9.7"

DIMENSIONS (Inches)

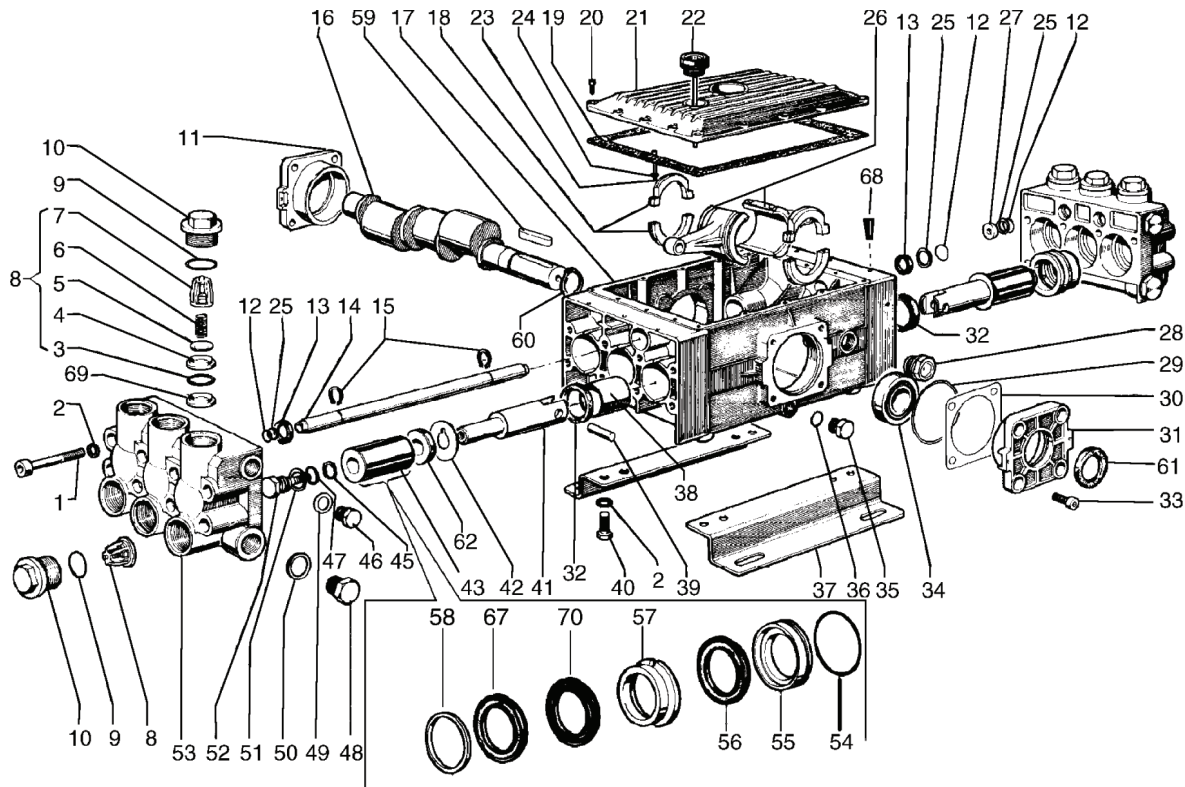


General Pump is a member of the Interpump Group



CW1541 - 36 mm bore

GENERAL PUMP *A member of the Interpump Group*



PART LIST

ITEM	PART NO.	DESCRIPTION	KIT NO.	QTY.	ITEM	PART NO.	DESCRIPTION	KIT NO.	QTY.	ITEM	PART NO.	DESCRIPTION	KIT NO.	QTY.
1.	99441800	Screw, M12x90		16	22.	98227300	Oil Dip Stick		1	45.	90510700	Ring, Back-up	74	6
2.	96719500	Washer, M12		20	23.	99192700	Screw, M6 x 35		12	46.	98226500	Cap		3
3.	90405900	O-ring, 1.296x.139	943	12	24.	96693800	Washer, M6.4		12	47.	90384100	O-ring, .674x.103	74	6
4.	36201166	Seat, Valve	943	12	25.	90509100	Ring, Back-up		4	48.	98232500	Cap		2
5.	36201076	Valve	943	12	26.	77030241	Rod, Connecting		3	49.	96770000	Washer, M26.5		3
6.	94745000	Spring	943	12	27.	77220370	Cap		2	50.	96787000	Washer, M33.5		2
7.	36200951	Guide, Valve	943	12	28.	97596800	Oil Indicator		1	51.	96755500	Washer, M22	74	6
8.	36706501	Unit, Valve	943	12	29.	90414100	O-ring, 3.359x.139		2	52.	69219566	Bolt, Plunger	74	6
9.	90406500	O-ring, 1.484x.139		12	30.	76220078	Shim		2	53.	77125141	Manifold, NPT		2
10.	98242000	Cap, M42		12	31.	76150022	Housing, Bearing		1	54.	90390300	O-ring, .924x.103	939,940	6
11.	76150122	Cover		1	32.	90167000	Seal, Oil	44	6	55.	76080170	Retainer, Packing	939,940	6
12.	90383500	O-ring, .594x.103		4	33.	200052	Screw, M10x20		8	56.	90282300	Packing, L.P.	939	6
13.	90161400	Seal, Oil		4	34.	91847400	Bearing		4	57.	69217070	Ring, Intermed.	939,942	6
14.	77212293	Tube, Head Conn.		1	35.	98210000	Cap		1	58.	69100293	Ring, Head	939,41	6
15.	90060500	Cir-clip		2	36.	90383300	O-ring, .549x.103		1	59.	91497800	Key		1
16.	76021035	Crankshaft		1	37.	76200074	Rail, Pump		2	60.	90069500	Cir-clip		1
17.	77010022	Crankcase		1	38.	90917400	Bushing		6	61.	90167200	Seal, Oil	32	1
18.	77212001	Ring, Clamp, Connecting Rod		6	39.	97740000	Pin, Plunger		6	62.	76211470	Spacer, Plunger		6
19.	77211884	Gasket		1	40.	99426600	Screw, M12x25		4	63.	90282000	Packing, H.P.	939	6
20.	99186700	Screw, M6x18		16	41.	77050054	Guide, Plunger		6	64.	600600	Plug, Tapered		6
21.	77211422	Cover		1	42.	96756800	Washer, M22.3		6	69.	96757000	Back-up Ring Valve Seat	943	12
					43.	69040009	Plunger (36 mm)		6	70.	90281800	Restop Ring	939	6

TORQUE SPECS*

KIT NO.	32	41	44	74	939	940	942	943	100463	100564
ITEM NO's INCLUDED IN KIT	61	58	32	45, 47, 51, 52	54, 55, 56, 57, 58, 67, 70	54, 55	57	3, 4, 5, 6, 7, (8), 69	54, 55, 56, 57, 58, 67, 70	54, 56, 67, 70
NUMBER OF ASSEMBLIES IN KIT	2	6	3	3	1	3	3	6	6	6
NUMBER OF CYLINDERS KIT WILL SERVICE	-	3	3	3	1	3	3	3	6	6

Pos.	Ft/lb	N-M
1	51.5	70
10	95.8	130
20	7.3	10
23	8.8	12
28	13.2	18
33	29.4	40
40	51.5	70
46	51.5	70
48	73.7	100
52	29.4	40

* Decrease torque by 20% if threads are lubricated

