

GENERAL PUMP *A member of the Interpump Group*

CW Series 69

30 mm bore - Triplex Plunger Pump

FEATURES

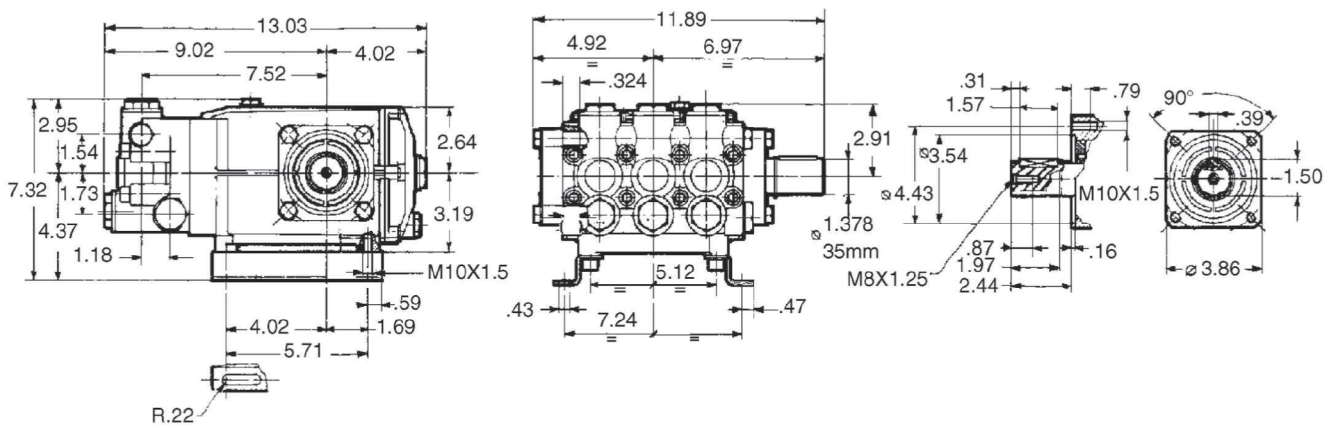
- The preferred pump frame in the two-gun prep conveyor and tunnel car wash industry
- Forged brass manifold with exclusive lifetime warranty
- Large-capacity, die-cast, anodized aluminum oil-bath crankcase
- Over-sized connecting rods for maximum life
- Heavy-duty tapered roller bearing
- Solid ceramic plungers with continuously lubricated packings
- Unitized stainless steel inlet and discharge valves
- Available in left-handed "L" version



SPECIFICATIONS

Pump Model	CW1012
Maximum Volume	12.0 GPM
Maximum Discharge Pressure	1000 PSI
Maximum Pump Speed	900 RPM
Maximum Inlet Vacuum	2 ft. water (1.8 in. Hg)
Bore	1.18 in. / 30 mm
Stroke	.946 in. / 24 mm
Crankcase Oil Capacity	50.7 oz.
Maximum Fluid Temperature	165° F
Inlet Port Thread	3/4-14 BSPP-F
Discharge Port Thread	3/8-19 BSPP-F
Shaft Diameter	1.378 in. / 35 mm
Weight	45 lbs.
Dimensions	13.0" x 11.9" x 7.3"

DIMENSIONAL DRAWING

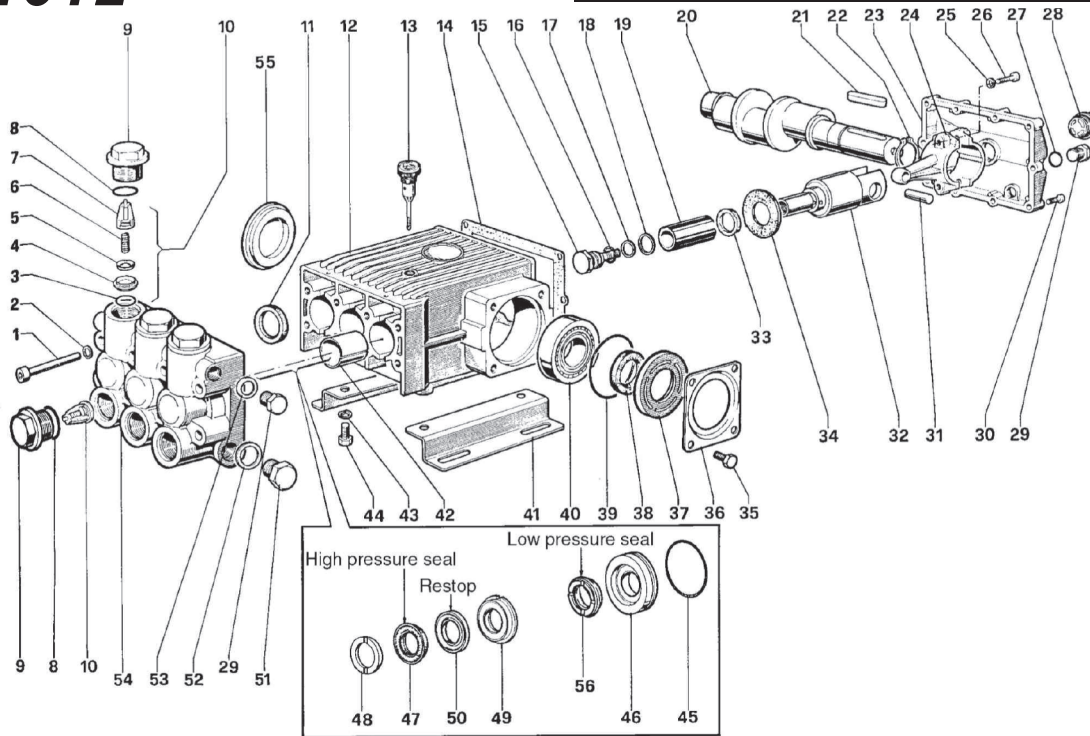


General Pump
is a member of
the Interpump Group



CW1012

GENERAL PUMP A member of the Interpump Group



SPECIFICATIONS

Item Part #	Description	KIT	Qty	Item Part #	Description	Kit	QTY	Item Part #	Description	Kit	QTY
1.	99380100 Screw		8	19.	69040109 Plunger (30 mm)		3	38.	90167200 Ring	32	1
2.	96710400 Washer		8	20.	69020535 Crankshaft		1	39.	90413100 O-ring		2
3.	90385900 O-ring	62	6	21.	91496900 Key		1	40.	91848100 Bearing		2
4.	36201766 Valve Seat	62	6	22.	90069500 Cir-clip		1	41.	47200074 Foot		2
5.	36201876 Valve	62	6	23.	69160022 Crankcase Cover		1	42.	90916200 Bushing		3
6.	94739400 Spring	62	6	24.	69030301 Connecting Rod		3	43.	96710600 Washer		4
7.	36200851 Valve Guide	62	6	25.	96701400 Washer		6	44.	99364400 Screw		4
8.	90405100 O-ring		6	26.	99309900 Screw		6	45.	701133 O-ring	64,967	3
9.	98231200 Cap		6	27.	90383300 O-ring		1	46.	69080070 Packing Retainer	64,967	3
10.	36706001 Valve Ubit	62	6	28.	97596800 Indicator		1	47.	90277000 Packing	967,113	3
11.	90165600 Seal	37	3	29.	98210000 Cap		2	48.	69100051 Head Ring	65,967	3
12.	69010022 Cover		1	30.	99186700 Screw		9	49.	69216770 Intermedate Ring	66,967	3
13.	98210600 Oil Dipstick		1	31.	97739800 Plunger Pin		3	50.	90277400 Ring	113,967	3
14.	69211984 Gasket		1	32.	69050354 Plunger Guide		3	51.	98226500 Cap		1
15.	69219566 Plunger Bolt	74	3	33.	69211470 Spacer		1	52.	96770000 Washer		1
16.	90384100 O-ring	74	3	34.	96756500 Slinger		3	53.	96738000 Washer		1
17.	90510700 Anti.ext. Ring	74	3	35.	99363600 Screw		8	54.	69120741 Manifold		1
18.	96755500 Washer	74	3	36.	68150074 Crankcase Cover		2	55.	69211651 Spacer		1
				37.	69211551 Spacer		1	56.	90277600 Seal, LP, 30 mm	967,113	3

REPAIR KITS

KIT NO.	K32	K37	K62	K64	K65	K967	K74	K113
ITEM NO'S INCLUDED IN KIT	38	11	3, 4, 5, 6, 7 (10)	45, 46	48	45, 46, 47, 48, 49, 50, 56	15, 16, 17, 18	47, 50, 56
NUMBER OF ASSEMBLIES IN KIT	2	3	6	3	3	1	3	3
NUMBER OF CYLINDERS KIT WILL SERVICE	2	3	3	3	3	1	3	3

TORQUE SPECS*

ITEM	Ft-lbs	N-m
1	29.4	39.86
9	73.7	99.92
15	14.7	19.93
26	14.7	19.93
28	13.2	17.89
29	29.4	39.86
30	7.3	9.89
35	29.4	39.86
44	29.4	39.86
51	51.5	69.82

*Decrease torque by 20% if threads are lubricated.

GENERAL PUMP 1174 Northland Drive • Mendota Heights, MN 55120
 Phone: (651)686-2199 • Fax: (800)535-1745 • e-mail: sales@gpcompanies.com • www.generalpump.com

Ref 300324 Rev. J
06-09

