

MTM
Hydro

2
0
1
1

catalog & price list



components and accessories for
high pressure cleaners and car wash industry



MTM Hydro srl
Corporate Headquarters
Cherasco, Italy



MTM Hydro is not responsible for typographical errors.

© Copyright 2011 MTM Hydro srl



MTM Hydro Inc.
Sales and Distribution Facility
Eden Prairie, Minnesota



MTM Hydro, Srl our Italian parent company has more than thirty years of experience in the field of high-pressure cleaners and car-washing. The MTM Hydro, Inc. branch was created to offer the North American market assistance through a reliable and committed presence. It is our goal to meet the constantly shifting demands of the US market in a rapid and efficient manner.

The use of advanced technologies and the experience of our technicians allows MTM Hydro, SRL to design innovative new products and produce requested customizations.

Customer satisfaction is our most important goal. Throughout our company structure we are committed to the fulfilling our customer's needs.

MTM Hydro, Srl monitors its production in Italy with complete internal cycles in order to ensure the highest level of reliability, flexibility, and accuracy. In fact, they perform all of the production steps: from the initial mold design and creation, plastic injection molding and the metal machining. All of this is performed with CAD-CAM manufacturing system to ensure the highest quality of our products.

These characteristics allow MTM Hydro to not only be a superior supplier but also an ideal partner who is attentive and ready meet the individual needs of your company.

One of the most important investments we have always focused on is our technical and human resources. Through this effort we have been successful in increasing our capabilities in the past and clearly understand that this is what will support our future growth.

This allows MTM Hydro Srl to be confident of its reliability and quality: which have been the fundamental characteristics of their production for many years.

In recognition of all of the efforts made over the years MTM Hydro, Srl has attained the goal of becoming a UNI EN ISO 9001:2008 (ISO 9001:2008) Quality Certified Company, an additional guaranty of reliability!





Today, Eden Prairie is home to more than 2,200 businesses, large and small, high tech and manufacturing, old and new. The city has been recognized as a great place to work and raise a family. Money Magazine® calls Eden Prairie the sixth best place in the United States to live and work. With more than 72 percent of the population under the age of 45, the community has an optimistic eye on the future. It's location near the Minneapolis/St. Paul International Airport is one of the many reasons that Eden Prairie has been chosen as the ideal place to organize MTM Hydro, support the North American market place.



ASTRA SPRAY GUN 5000 psi

PART NUMBER	INLET	OUTLET	QTY	LIST PRICE
10.0007	3/8 F	1/4 F	30	71.00
10.0056	3/8 F	3/8 MPT Steel QC Plug	20	77.00

REPAIR KIT FOR ASTRA SPRAY GUN

41.0096

ASTRA SPRAY GUN - WEEP

PART NUMBER	INLET	OUTLET	WEEP*	QTY	LIST PRICE
10.0026*	3/8 F	1/4 F	.48 GPM	30	80.75

ASTRA SPRAY GUN - FREE FLOW THROUGH

PART NUMBER	INLET	OUTLET	Q.TY	LIST PRICE
10.0032	3/8 F	1/4 F	30	42.75

PRESSURE max 5000 psi
 FLOW max 11 USgpm
 TEMPERATURE max 300°F



IRIDE SPRAY GUN 4500 psi

PART NUMBER	INLET	OUTLET	QTY	LIST PRICE
10.0011	3/8 F	1/4 F	30	65.75
10.0052*	3/8 F	3/8 MPT Steel QC Plug	20	71.75

REPAIR KIT FOR IRIDE GUN

41.0097

IRIDE SPRAY GUN - WEEP

PART NUMBER	INLET	OUTLET	WEEP*	QTY	LIST PRICE
10.0027	3/8 F	1/4 F	.48 GPM	30	76.00

*weep rate measured at 45psi

IRIDE SPRAY GUN - FREE FLOW THROUGH

PART NUMBER	INLET	OUTLET	QTY	LIST PRICE
10.0033	3/8 F	1/4 F	30	40.50

PRESSURE max 4500 psi
 FLOW max 8 USgpm
 TEMPERATURE max 300°F



AURA SPRAY GUN 3100 psi

PART NUMBER	INLET	OUTLET	QTY	LIST PRICE
10.0017	3/8 F	1/4 F	40	63.75

REPAIR KIT FOR AURA GUN

41.0098

AURA SPRAY GUN - WEEP

PART NUMBER	INLET	OUTLET	WEEP*	QTY	LIST PRICE
10.0028*	3/8 F	1/4 F	.48 GPM	40	73.25

AURA SPRAY GUN - FREE FLOW THROUGH

PART NUMBER	INLET	OUTLET	QTY	LIST PRICE
10.0034	3/8 F	1/4 F	40	39.50

PRESSURE max 3100 psi
 FLOW max 7 USgpm
 TEMPERATURE max 300°F

SPRAY GUNS



M407 SPRAY GUN

PART NUMBER	INLET	OUTLET	QTY	LIST PRICE
10.0001	3/8 F	1/4 F	25	52.50
10.0043	3/8 QC Pltd Steel Plug	1/4 F	25	59.50

PRESSURE max 4000 psi
 FLOW max 7 USgpm
 TEMPERATURE max 250°F

REPAIR KIT FOR M407 SPRAY GUN

41.0002	13.25
---------	-------



M407 SPRAY GUN WEEP

PART NUMBER	OUTLET	WEEP*	QTY	LIST PRICE
10.0292	3/8 F	1/4 F .48 GPM	25	51.75

*weep rate measured at 45 psi

ASTRA SPRAY GUN FOR KEW COUPLING

PART NUMBER	INLET	OUTLET	QTY	LIST PRICE
10.0008	M22x1.5 M 1 o-ring	M22x1.5 M 2 o-rings	30	89.00

PRESSURE max 4660 psi
 FLOW max 10.5 USgpm
 TEMPERATURE max 300°F



IRIDE SPRAY GUN FOR KEW COUPLING

PART NUMBER	INLET	OUTLET	TYPE	QTY	LIST PRICE
10.0014	3/8 F	quick coupling	A	25	138.25
10.0015	3/8 Swivel	quick coupling	A	25	163.25

PRESSURE max 4100 psi
 FLOW max 8 USgpm
 TEMPERATURE max 300°F



* Indicates Non-Stock Item. Available by Special Order Only.

SPRAY GUNS with VENTED PROTECTION



ASTRA "MT2" VENTED

PART NUMBER	PIPE TYPE	INLET	OUTLET	QTY	LIST PRICE
10.0020*	zinc plated steel	3/8 F	M22x1.5 F	20	98.00
PRESSURE	max 4660 psi				
FLOW	max 10.5 USgpm				
TEMPERATURE	max 300°F				

** Wand kits available! please call for option and pricing.



IRIDE "MT2" VENTED

PART NUMBER	PIPE TYPE	INLET	OUTLET	QTY	LIST PRICE
10.0023*	zinc plated steel	3/8 F	M22x1.5 F	20	93.00
PRESSURE	max 4100 psi				
FLOW	max 8 USgpm				
TEMPERATURE	max 300°F				



M407 "MT8" VENTED

PART NUMBER	PIPE TYPE	INLET	OUTLET	QTY	LIST PRICE
10.0003	zinc plated steel	3/8 F	M22x1.5 F	25	63.25
PRESSURE	max 4000 psi				
FLOW	max 7 USgpm				
TEMPERATURE	max 250°F				

** Wand kits available! please call for option and pricing.

SPRAY LANCE



SPRAY LANCE NON-MOLDED ZINC PLATED STEEL

PART NUMBER	LENGTH	DESCRIPTION	QTY	LIST PRICE
28.0277	12"	non-molded zinc plated steel	25	4.15
28.0278	18"	non-molded zinc plated steel	25	5.25
28.0279	20"	non-molded zinc plated steel	25	6.00
28.0280	24"	non-molded zinc plated steel	25	7.00
28.0281	36"	non-molded zinc plated steel	25	9.75
28.0282	48"	non-molded zinc plated steel	25	12.25
28.0283	60"	non-molded zinc plated steel	25	14.25
28.0284	78"	non-molded zinc plated steel	25	19.75

1/4" HIGH PRESSURE TUBING

PRESSURE	max 4100 psi
FLOW	max 10.5 USgpm
TEMPERATURE	max 300°F

SPRAY LANCE NON-MOLDED STAINLESS STEEL

PART NUMBER	LENGTH	DESCRIPTION	QTY	LIST PRICE
28.0288	28"	non-molded stainless steel	25	32.75
28.0289	36"	non-molded stainless steel	25	42.00
28.0290	47"	non-molded stainless steel	25	65.50

1/4" MPT HIGH PRESSURE TUBING

PRESSURE	max 6000 psi
FLOW	max 10.5 USgpm
TEMPERATURE	max 300°F



SPRAY LANCE NON-MOLDED STAINLESS STEEL

PART NUMBER	LENGTH	DESCRIPTION	QTY	LIST PRICE
28.0267	20"	non-molded stainless steel	25	12.50
28.0117	24"	non-molded stainless steel	25	14.75
28.0268	28"	non-molded stainless steel	25	15.25
28.0118	36"	non-molded stainless steel	25	22.50
28.0119	48"	non-molded stainless steel	25	36.50
28.0120	60"	non-molded stainless steel	25	42.50
28.0272	78"	non-molded stainless steel	25	55.50

1/4" HIGH PRESSURE TUBING

PRESSURE	max 4100 psi
FLOW	max 10.5 USgpm
TEMPERATURE	max 300°F

SPRAY LANCE NON-MOLDED ALUMINUM

PART NUMBER	LENGTH	DESCRIPTION	QTY	LIST PRICE
28.0001	12"	non-molded aluminum	25	4.75
28.0002	18"	non-molded aluminum	25	6.75
28.0003	24"	non-molded aluminum	25	9.25
28.0004	36"	non-molded aluminum	25	13.25
28.0005	47"	non-molded aluminum	25	14.50
28.0006	59"	non-molded aluminum	25	18.75
28.0007	79"	non-molded aluminum	25	25.25

1/4" HIGH PRESSURE TUBING

PRESSURE	max 3600 psi
TEMPERATURE	max 300°F

LANCE FREIGHT SAVER

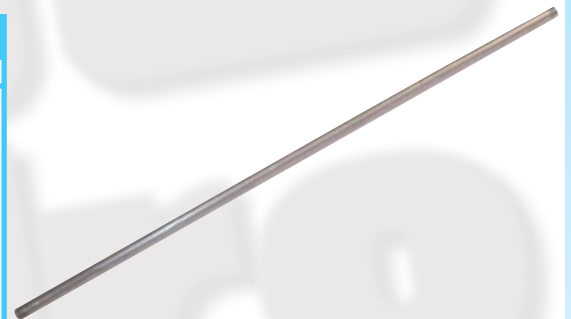
PART NUMBER	DESCRIPTION	LIST PRICE
24.0089	freight saver fitting chrome plated steel 1/4 F - 1/4 F	3.00

LANCE SOCKET

PART NUMBER	DESCRIPTION	LIST PRICE
38.0001	lance socket 1/4 F - 1/4 F	4.25

EXTENSION LANCE NON-MOLDED ZINC PLATED STEEL

PART NUMBER	DESCRIPTION	QTY	LIST PRICE
28.0022	18" non-molded zinc plated steel M22-1/4 QC	25	17.00
28.0023	24" non-molded zinc plated steel M22-1/4 QC	25	18.75



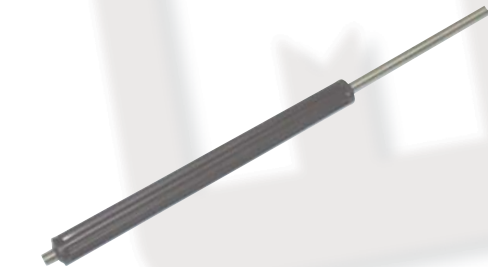
* Indicates Non-Stock Item. Available by Special Order Only.



BENT LANCE AVAILABLE
UPON REQUEST



BENT LANCE AVAILABLE
UPON REQUEST



SPRAY LANCE "MT2" VENTED

PART NUMBER	LENGTH	PIPE TYPE	OUTLET	QTY	LIST PRICE
12.0003	28"	zinc plated steel	1/4 M	25	28.25
12.0004	36"	zinc plated steel	1/4 M	25	26.75
12.0005	47"	zinc plated steel	1/4 M	25	37.25
12.0006	59"	zinc plated steel	1/4 M	25	50.00
12.0007	79"	zinc plated steel	1/4 M	25	60.50
12.0018	28"	stainless steel	1/4 M	25	41.25
12.0019	36"	stainless steel	1/4 M	25	48.00
12.0020	47"	stainless steel	1/4 M	25	75.50
12.0021	59"	stainless steel	1/4 M	25	75.75
12.0022	79"	stainless steel	1/4 M	25	92.25

PRESSURE max 4100 psi FLOW max 10.5 USgpm TEMPERATURE max 300°F

SPRAY LANCE "MT8" BLUE VENTED

PART NUMBER	LENGTH	PIPE TYPE	OUTLET	QTY	LIST PRICE
12.0553	28"	stainless steel	1/4 M	25	57.00
12.0554	36"	stainless steel	1/4 M	25	66.25
12.0555	47"	stainless steel	1/4 M	25	89.75

PRESSURE max 6000 psi FLOW max 10.5 USgpm TEMPERATURE max 300°F

SPRAY LANCE "MT3" MOLDED

PART NUMBER	LENGTH	PIPE TYPE	OUTLET	QTY	LIST PRICE
14.0050	28"	zinc plated steel	1/4 M	25	21.25
14.0051	36"	zinc plated steel	1/4 M	25	22.75
14.0052	47"	zinc plated steel	1/4 M	25	40.50
14.0053	59"	zinc plated steel	1/4 M	25	48.75
14.0054	79"	zinc plated steel	1/4 M	25	13.75
14.0061	20"	stainless steel	1/4 M	25	27.50
14.0062	24"	stainless steel	1/4 M	25	30.75
14.0055	28"	stainless steel	1/4 M	25	34.00
14.0056	36"	stainless steel	1/4 M	25	37.25
14.0057	47"	stainless steel	1/4 M	25	51.00
14.0058	59"	stainless steel	1/4 M	25	66.25
14.0059	79"	stainless steel	1/4 M	25	83.25

PRESSURE max 4100 psi FLOW max 10.5 USgpm TEMPERATURE max 300°F

SPRAY LANCE "MT7" MOLDED GRIP

PART NUMBER	LENGTH	PIPE TYPE	OUTLET	QTY	LIST PRICE
12.0560	28"	stainless steel	1/4 M	25	31.25
12.0561	36"	stainless steel	1/4 M	25	38.25
12.0562	47"	stainless steel	1/4 M	25	54.50
12.0563	28"	chrome plated steel	1/4 M	25	13.50
12.0564	36"	chrome plated steel	1/4 M	25	16.75
12.0565	47"	chrome plated steel	1/4 M	25	22.25

PRESSURE max 4100 psi FLOW max 10.5 USgpm TEMPERATURE max 300°F

SPRAY LANCE "ROUND" MOLDED

PART NUMBER	LENGTH	PIPE TYPE	OUTLET	QTY	LIST PRICE
12.0463	12"	pltd steel	1/4 M	25	8.25
12.0464	18"	pltd steel	1/4 M	25	9.25
12.0053	28"	pltd steel	1/4 M	25	10.75
12.0054	36"	pltd steel	1/4 M	25	13.75
12.0055	47"	pltd steel	1/4 M	25	19.75
12.0056	59"	pltd steel	1/4 M	25	22.25
12.0057	79"	pltd steel	1/4 M	25	27.00

PRESSURE max 4100 psi FLOW max 10.5 USgpm TEMPERATURE max 300°F

SIDE HANDLE

PART NUMBER	DESCRIPTION	QTY	LIST PRICE
12.0058	Side handle with brass nut	10	8.50
24.0060	Open "C" nut	10	1.00

NOZZLE PROTECTORS

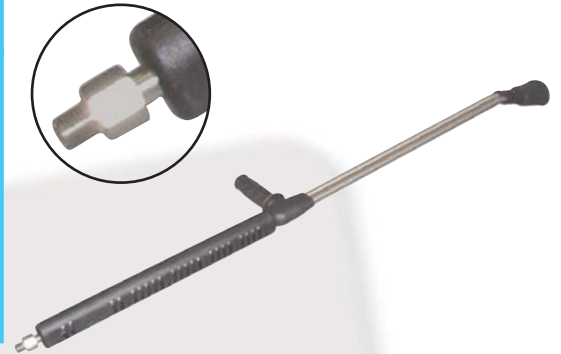
PART NUMBER	DESCRIPTION	QTY	LIST PRICE
41.0090	1/4 DELUXE 3 PIECE	50	5.75
22.0211	1/4 BLUE&GREY DELUXE 3 PIECE	50	6.50
41.0091	1/4 2 PIECE	50	3.50

SPRAY LANCES



DUAL MT8 LANCE

PART NUMBER	LENGTH	PIPE TYPE	OUTLET	QTY	LIST PRICE
with HANDLE					
12.0506	42"	1/4 stainless steel	1/4 F	15	116.25
12.0505	42"	1/4 zinc plated steel	1/4 F	15	83.75
12.0512	42"	1/4 stainless steel w/chem nozzle	1/4 F	15	119.50
12.0513	42"	1/4 stainless steel w/chem nozzle & QC coupler	1/4 F	15	131.00
12.0526	42"	1/4 zinc plated steel w/chem nozzle & QC coupler			83.75
PRESSURE	max 4100 psi				
FLOW	max 10.5 USgpm				
TEMPERATURE	max 300°F				

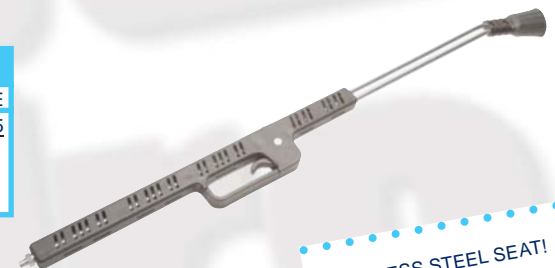


REPAIR KITS SPRAY LANCE DUAL

PART NUMBER	DESCRIPTION	LIST PRICE
12.0033	repair kit spray lance dual w/handle	37.00
12.0043	repair kit spray lance dual w/vertical knob	47.00

DUAL LANCE WITH TRIGGER

PART NUMBER	LENGTH	PIPE TYPE	OUTLET	QTY	LIST PRICE
12.0052	47"	1/8 zinc plated steel	1/4 F	15	130.75
PRESSURE	max 3600 psi				
FLOW	max 10.5 USgpm				
TEMPERATURE	max 300°				



STAINLESS STEEL SEAT!

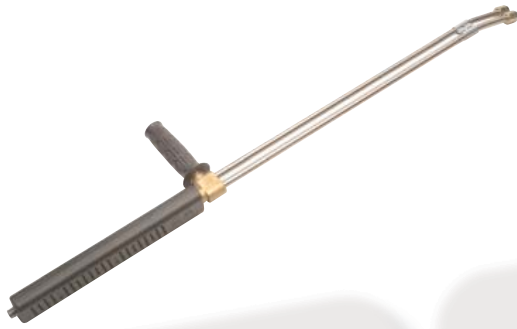
REPAIR KITS SPRAY LANCE DUAL

PART NUMBER	DESCRIPTION	LIST PRICE
41.0033	repair kit spray lance dual w/trigger	17.00
41.0364	repair kit spray lance dual w/handle w/s.steel seat	34.75

DUAL "MT5" LANCE with HANDLE

PART NUMBER	LENGTH	PIPE TYPE	OUTLET	QTY	LIST PRICE
12.0039	37"	1/8 zinc plated steel	1/4 F	15	100.25

PRESSURE max 3600 psi
 FLOW max 10.5 USgpm
 TEMPERATURE max 300°F



DUAL LANCE "MT2" with KEW STYLE INLET and HANDLE

PART NUMBER	LENGTH	PIPE TYPE	OUTLET	QTY	LIST PRICE
12.0035	47"	1/4 stainless steel	1/4 F	15	159.50

PRESSURE max 4100 psi
 FLOW max 10.5 USgpm
 TEMPERATURE max 300°F



DUAL LANCE "MT2" with KARCHER STYLE INLET M22F and HANDLE

PART NUMBER	LENGTH	PIPE TYPE	OUTLET	QTY	LIST PRICE
12.0037	44"	1/4 stainless steel	1/4 F	15	159.50

PRESSURE max 4100 psi
 FLOW max 10.5 USgpm
 TEMPERATURE max 300°F



STAINLESS STEEL KEW STYLE INLET PLUG

PART NUMBER	INLET	PRESSURE	QTY	LIST PRICE
24.0025	1/4 F	350bar	25	38.50



TIP RETAINER M18x1.5 F

PART NUMBER	THREAD	MATERIAL	QTY	LIST PRICE
24.0039	M18x1.5 F	Brass+Plastic	25	5.05



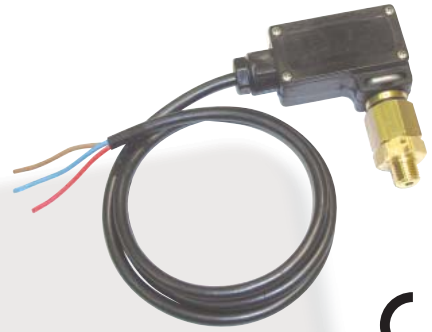
PRESSURE SWITCHES



PRESSURE SWITCH "BIG"

PART NUMBER	TYPE	INLET	PRESSURE ON	QTY	LIST PRICE
21.0016	3 wires	1/4 M	115psi yellow	25	43.75
21.0014	3 wires	1/4 M	210psi blue	25	43.75
21.0010	3 wires	1/4 M	360psi red	25	43.75
21.0011	3 wires	1/4 M	580psi black	25	43.75
21.0017	3 wires	3/8 M	115psi yellow	25	43.75
21.0015	3 wires	3/8 M	210psi blue	25	43.75
21.0012	3 wires	3/8 M	360psi red	25	43.75
21.0013	3 wires	3/8 M	580psi black	25	43.75
PRESSURE		max 4100 psi			
TEMPERATURE		max 195° F			
VOLTAGE		max 250 V			
CURRENT INT.		max 15 A			

IP 55



REPAIR KIT PRESSURE SWITCH "BIG"

PART NUMBER	DESCRIPTION	QTY	LIST PRICE
41.0020	electrical 3 wire	25	23.50
41.0021	hydraulic 1/4 M for 115 psi	25	26.50
41.0016	hydraulic 1/4 M for 210 psi	25	26.50
41.0014	hydraulic 1/4 M for 360 psi	25	26.50
41.0015	hydraulic 1/4 M for 580 psi	25	26.50
41.0022	hydraulic 3/8 M for 115 psi	25	26.50
41.0019	hydraulic 3/8 M for 210 psi	25	26.50
41.0017	hydraulic 3/8 M for 360 psi	25	26.50
41.0018	hydraulic 3/8 M for 580 psi	25	26.50
41.0095	micro switch Big	25	6.00

VACUUM SWITCH

PART NUMBER	INLET	SWITCHING w/VACUUM AT.	QTY	LIST PRICE
21.0018	1/4 F	1.5" Hg	60	39.75
21.0019	1/4 F	2.0" Hg	60	39.75
21.0020	1/4 F	2.5" Hg	60	39.75
21.0021	1/4 F	4.0" Hg	60	39.75
21.0022	1/4 F	4.5" Hg	60	39.75
TEMPERATURE	max 131° F			
RATED VOLTAGE	max 250 V			
CURRENT INT.	max 16 A (10 A)			
SWITCH	Norm. Open			

For Electric Motors and Engines up to 2 H.P.





FLOW SWITCHES

PART NUMBER	TYPE	INLET	PRESSURE MAX	QTY	LIST PRICE
21.0026	vertical	3/8 M	4350 psi	25	112.25
21.0027	horizontal	3/8 M	4350 psi	25	116.25
PRESSURE		max 4350 psi			
TEMPERATURE		max 180° F			
FLOW		max 8 gpm			
VOLTAGE		12 - 250 V			
AMPERAGE		max 0.8 A			



REMOTE THERMOSTAT WITH PROBE (adapter plug included)

PART NUMBER	CONNECTION	MAX TEMP.	COIL LENGTH	QTY	LIST PRICE
21.0023	1/2 M	195°F	59"	20	74.00
21.0024	1/2 M	248°F	72"	20	71.50
21.0025	1/2 M	300°F	72"	20	71.50
VOLTAGE		max 250 V			
AMPERAGE		max 15 A			
PROBE		7x120 mm			



THERMOSTAT WELL HOUSING

PART NUMBER	CONNECTION	INLET	OUTLET	QTY	LIST PRICE
22.0091	1/2 F	3/8 F	3/8 F + 3/8 F	20	30.00
PRESSURE		max 4660 psi			
TEMPERATURE		max 320° F			
MATERIAL		brass			



THERMOSTAT PROBE SHEATH

PART NUMBER	MATERIAL	INLET	LENGTH	HOLE	QTY	LIST PRICE
22.0089	Brass	1/2 M	4'	7 mm	20	18.00



BRASS UNLOADER BLOCKS

PART NUMBER	MATERIAL	INLET	OUTLET	QTY	LIST PRICE
22.0103	Brass	3/8 F	3/8 F	20	46.00
22.0104	Brass	1/2 F	1/2 F	20	46.00

NICKEL PLATED UNLOADER BLOCKS 4000 psi

PART NUMBER	MATERIAL	INLET	OUTLET	QTY	LIST PRICE
22.0292	Plated Steel	3/8 F	3/8 F	20	20.50
22.0294	Plated Steel	1/2 F	1/2 F	20	20.50

NOZZLE HOLDERS & ADJUSTABLE NOZZLES



DUAL ROLLOVER NOZZLE HOLDER

PART NUMBER	INLET	OUTLET	QTY	LIST PRICE
16.0129	1/4 F	1/4 F - 1/4 F	25	17.25
PRESSURE	max 3200 psi			
FLOW	max 10.5 USgpm			
TEMPERATURE	max 195°F			



HI LO TROMBONE VALVE

PART NUMBER	INLET	OUTLET	QTY	LIST PRICE
20.0072	1/4 F	(2x) 1/8 F	10	29.25
20.0073	1/4 F	(2x) 1/4 F	10	28.25
PRESSURE	max 4000 psi			
FLOW	max 8 USgpm			
TEMPERATURE	max 195°F			



HYPERJET ADJUSTABLE PRESSURE NOZZLE

PART NUMBER	INLET	OUTLET	QTY	LIST PRICE
16.0062	1/4 F	1/4 F	25	24.50
PRESSURE	max 3600 psi			
TEMPERATURE	max 300°F			



HYPERJET PLUS ADJUSTABLE PRESSURE NOZZLE

PART NUMBER	INLET	OUTLET	QTY	LIST PRICE
16.0061	1/4 F	1/4 F	25	28.25
PRESSURE	max 3600 psi			
TEMPERATURE	max 300°F			





• HIGH TENSILE STEEL WIRE BRAID
 • REINFORCEMENT 1/4", 5/16", 3/8" M
 • SOLID & SWIVEL ENDS WITH BLACK
 • BEND RESTRICTORS ABRASION AND
 • WEATHER RESISTANT SYNTHETIC
 • RUBBER OUTER COVER

KOBRAJET I 3000 PSI 1 WIRE BLACK

PART NUMBER	DESCRIPTION	LIST PRICE
30.0044	hose assembly 3/8 x 25	72.00
30.0045	hose assembly 3/8 x 50	127.75
30.0046	hose assembly 3/8 x 75	183.25
30.0047	hose assembly 3/8 x 100	238.25

TEMPERATURE RANGE -40°F to +310°F

KOBRAJET I 4000 PSI 1 WIRE BLACK

PART NUMBER	DESCRIPTION	LIST PRICE
30.0048	hose assembly 3/8 x 25	74.75
30.0049	hose assembly 3/8 x 50	131.00
30.0050	hose assembly 3/8 x 75	186.50
30.0051	hose assembly 3/8 x 100	242.50

TEMPERATURE RANGE -40°F to +310°F

KOBRAJET I 6000 PSI 2 WIRE BLACK

PART NUMBER	DESCRIPTION	LIST PRICE
30.0052	hose assembly 3/8 x 25	97.00
30.0053	hose assembly 3/8 x 50	167.50
30.0054	hose assembly 3/8 x 75	237.00
30.0055	hose assembly 3/8 x 100	307.50

TEMPERATURE RANGE -40°F to +310°F

KOBRAJET I 3000 PSI 1 WIRE NON MARKING

PART NUMBER	DESCRIPTION	LIST PRICE
29.0005	hose assembly 3/8 x 25	75.00
29.0006	hose assembly 3/8 x 50	133.50
29.0007	hose assembly 3/8 x 75	191.50
29.0008	hose assembly 3/8 x 100	249.50

TEMPERATURE RANGE -40°F to +310°F

KOBRAJET I 4000 PSI 1 WIRE NON MARKING

PART NUMBER	DESCRIPTION	LIST PRICE
29.0009	hose assembly 3/8 x 25	74.00
29.0010	hose assembly 3/8 x 50	136.00
29.0011	hose assembly 3/8 x 75	194.75
29.0012	hose assembly 3/8 x 100	252.75

TEMPERATURE RANGE -40°F to +310°F

KOBRAJET I 6000 PSI 2 WIRE NON MARKING

PART NUMBER	DESCRIPTION	LIST PRICE
29.0014	hose assembly 3/8 x 25	98.75
29.0015	hose assembly 3/8 x 50	172.75
29.0016	hose assembly 3/8 x 75	245.25
29.0017	hose assembly 3/8 x 100	317.00

TEMPERATURE RANGE -40°F to +310°F



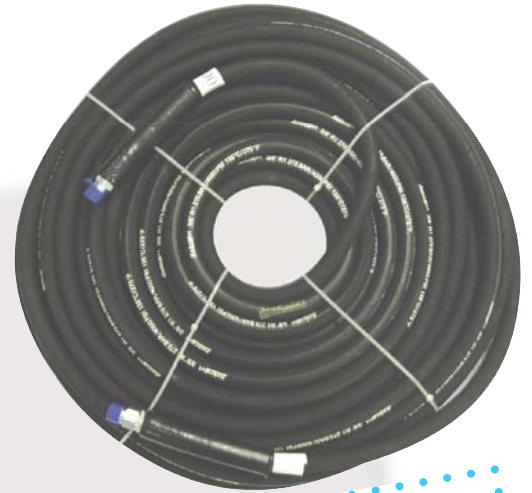
HIGH PRESSURE HOSE



KOBRAJET II 4000 PSI 1 WIRE BLACK

PART NUMBER	DESCRIPTION	INLET	OUTLET	LIST PRICE
30.0158	hose assembly 1/4x25 ends	1/4 rigid	1/4 swivel	54.50
30.0155	hose assembly 1/4x50 ends	1/4 rigid	1/4 swivel	103.25
30.0156	hose assembly 5/16x25 ends	3/8 rigid	3/8 swivel	64.25
30.0149	hose assembly 5/16x30 ends	3/8 rigid	3/8 swivel	73.75
30.0150	hose assembly 5/16x50 ends	3/8 rigid	3/8 swivel	111.25
30.0153	hose assembly 3/8 x 25			73.75
30.0139	hose assembly 3/8 x 50			130.25
30.0162	hose assembly 3/8 x 75			193.75
30.0140	hose assembly 3/8 x 100			242.25

TEMPERATURE RANGE -40°F to + 250°F



HOSE ASSEMBLIES WITH INSTALLED FITTING UPGRADES

PART NUMBER	DESCRIPTION	LIST PRICE
30.0163	5/16 x 30 w/brass coupler & plated steel plug	88.50
30.0164	5/16 x 30 w/M22 F twist couplers	91.25
30.0165	5/16 x 50 w/brass coupler & plated steel plug	130.75
30.0166	5/16 x 50 w/M22 F twist couplers	130.50
30.0167	3/8 x 50 w/brass coupler & plated steel plug	150.75
30.0168	5/16 x 30 with plated steel plugs on both sides	83.25
30.0169	3/8 x 50 w/3/8 brass qc coupler (rigid end) & plated steel plug (swivel end) installed	172.50
30.0170	3/8x50 w/3/8 brass qc coupler (rigid end) & 3/8 plt steel plug (swivel end) installed, w/bend restrictors	147.75

TEMPERATURE RANGE -40°F to +310°F

HIGH TENSILE STEEL WIRE BRAID REINFORCEMENT
1/4", 5/16", 3/8" M SOLID & SWIVEL ENDS WITH BLACK
BEND RESTRICTORS ABRASION AND WEATHER
RESISTANT SYNTHETIC RUBBER OUTER COVER

KOBRAJET 1 4000 PSI 1 WIRE NON MARKING GREY

PART NUMBER	DESCRIPTION	LIST PRICE
29.0110	hose assembly 3/8 x 50	136.00
29.0111	hose assembly 3/8 x 100	252.75

BULK PUSH LOCK HOSE

PART NUMBER	DIMENSION	Q.TY	LIST PRICE
31.0013	1/4"	per foot	2.75
31.0014	3/8"	per foot	3.75
31.0015	1/2"	per foot	4.50

PRESSURE max 260 psi

PUSH LOCK FITTING

PART NUMBER	DIMENSION	Q.TY	LIST PRICE
24.0154	1/4 HB X 1/4 MPT	25	2.75
24.0155	3/8 HB X 3/8 MPT	25	4.00
24.0156	1/2 HB X 1/2 MPT	25	6.50
24.0157	3/8 HB X 1/4 MPT	25	3.50

PRESSURE max 260 psi





CUSTOM ASSEMBLIES

PART NUMBER	DESCRIPTION	LIST PRICE
40.0029	Bulk Hose 3/8 3000 psi, Black per Foot	2.75
40.0024	Bulk Hose 3/8 3000 psi, Non Marking Blue, per Foot	3.00
40.0025	Bulk Hose 3/8 4000 psi, Black per Foot	2.75
40.0026	Bulk Hose 3/8 4000 psi, Non Marking Blue, per Foot	3.00
40.0027	Bulk Hose 3/8 6000 psi, Black per Foot	3.75
40.0028	Bulk Hose 3/8 6000 psi, Non Marking Blue, per Foot	4.00
24.0158	Rigid Hose End, 3/8 M	6.50
24.0160	Swivel Hose End, 3/8 M	10.00
39.0047	Bend Restrictors Qty, Black, Length 6"	2.50
39.0425	Bulk Bend Restrictor, Red, Length 1'	3.75
24.0162	Hose End Ferrule 3/8" 3000 & 4000 psi	3.25
24.0462	Hose End Ferrule 3/8" 6000 psi	5.00

CUSTOM ASSEMBLIES KOBRAJET II 1/4"

PART NUMBER	DESCRIPTION	LIST PRICE
40.0068	Kobrajet II Bulk Hose 1/4 4000 psi, R1, Black, 275°F per Foot	3.00
24.0482	Rigid Hose End 1/4 NPT Male	6.75
24.0483	Swivel Hose End 1/4 NPT Male	10.00
24.0484	Hose End Ferrule for 1/4" Hose	3.25
40.0070	Black Bend Restrictor for 1/4" Hose	1.75

CUSTOM ASSEMBLIES KOBRAJET II 5/16"

PART NUMBER	DESCRIPTION	LIST PRICE
40.0065	Kobrajet II Bulk Hose 5/16 4000 psi, R1, Black, 275°F per Foot	3.25
24.0474	Rigid Hose End 3/8 NPT Male	6.75
24.0475	Swivel Hose End 3/8 NPT Male	10.00
24.0476	Hose End Ferrule for 5/16" Hose	3.25
40.0066	Black Bend Restrictor for 5/16" Hose	2.50

CUSTOM ASSEMBLIES KOBRAJET II 3/8"

PART NUMBER	DESCRIPTION	LIST PRICE
40.0064	Kobrajet II Bulk Hose 3/8 4000 psi, R1, Black, 275°F per Foot	3.00
24.0478	Rigid Hose End 3/8 NPT Male	7.00
24.0479	Swivel Hose End 3/8 NPT Male	10.50
24.0480	Hose End Ferrule for 3/8" Hose	3.25
40.0044	Black Bend Restrictor for 3/8" Hose	2.50

FITTING UPGRADES

PART NUMBER	DESCRIPTION	LIST PRICE
24.0186	3/8" Brass QC Coupler & Plated Steel Plug Installed	11.25
24.0189	3/8" SS QC Coupler & SS Plug Installed	19.75
24.0192	3/8" M22 F Coupler (Qty 2) Installed	14.75
24.0473	3/8" Plated Steel Plug Installed on Both Sides	9.75

HIGH PRESSURE HOSE



HIGH PRESSURE CONSUMER HOSE 3200 PSI

PART NUMBER	DESCRIPTION	LIST PRICE
30.0130	1/4" X 25' PVC HOSE M22F - 14 mm	48.50

HIGH PRESSURE CONSUMER HOSE 3000 PSI

PART NUMBER	DESCRIPTION	QTY	LIST PRICE
30.0056	black 1/4"x25' hose assembly M22f w/14 & 15 mm adapter	5	50.50



JUMPER HOSE / WHIP LINES 4000 PSI

PART NUMBER	LENGTH	QTY	LIST PRICE
30.0026	3/8" x 2'	5	33.25
30.0027	3/8" x 3'	5	36.00
30.0028	3/8" x 4'	5	38.50
30.0029	3/8" x 5'	5	41.25
30.0030	3/8" x 6'	5	43.75
30.0031	3/8" x 8'	5	49.25
30.0032	3/8" x 10'	5	53.00

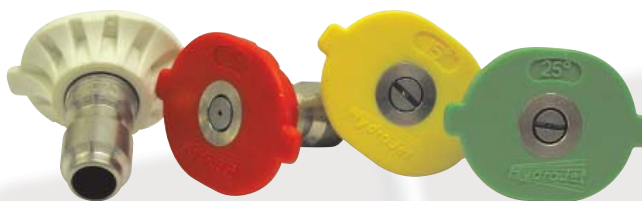
JUMPER HOSE / WHIP LINES 5800 PSI

PART NUMBER	LENGTH	QTY	LIST PRICE
30.0034	3/8" x 2'	5	34.75
30.0035	3/8" x 3'	5	38.25
30.0036	3/8" x 4'	5	41.25
30.0037	3/8" x 5'	5	44.25
30.0038	3/8" x 6'	5	47.50
30.0039	3/8" x 8'	5	53.00
30.0040	3/8" x 10'	5	62.00



PULSE HOSE ASSEMBLY

PART NUMBER	DESCRIPTION	LIST PRICE
30.0147	hose assembly 3/8 x 12"	27.50
PRESSURE	max 2000 psi	



HYDROJET 1/4 QC NOZZLE COLOR CODED QUICK CONNECT SPRAY NOZZLES

	2.0	2.5	3.0	3.5	4.0	4.5	5.0	5.5	6.0	6.5	7.0	7.5	8.0	8.5	9.0	9.5	10.0	LIST PRICE
0 DEG	17.0138	17.0145	17.0152	17.0159	17.0166	17.0173	17.0180	17.0187	17.0194	17.0201	17.0546	17.0550	17.0554	17.0558	17.0562	17.0566	17.0570	5.85
15 DEG	17.0139	17.0146	17.0153	17.0160	17.0167	17.0174	17.0181	17.0188	17.0195	17.0202	17.0547	17.0551	17.0555	17.0559	17.0563	17.0567	17.0571	5.85
25 DEG	17.0140	17.0147	17.0154	17.0161	17.0168	17.0175	17.0182	17.0189	17.0196	17.0203	17.0548	17.0552	17.0556	17.0560	17.0564	17.0568	17.0572	5.85
40 DEG	17.0141	17.0148	17.0155	17.0162	17.0169	17.0176	17.0183	17.0190	17.0197	17.0204	17.0549	17.0553	17.0557	17.0561	17.0565	17.0569	17.0573	5.85



1/4 THREADED HYDROJET NOZZLES

	2.0	2.5	3.0	3.5	4.0	4.5	5.0	5.5	6.0	6.5	7.0	7.5	8.0	8.5	9.0	9.5	10.0	LIST PRICE
0 DEG	17.0208	17.0212	17.0216	17.0220	17.0224	17.0228	17.0232	17.0236	17.0240	17.0244	17.0602	17.0606	17.0610	17.0614	17.0618	17.0622	17.0626	6.25
15 DEG	17.0209	17.0213	17.0217	17.0221	17.0225	17.0229	17.0233	17.0237	17.0241	17.0245	17.0603	17.0607	17.0611	17.0615	17.0619	17.0623	17.0627	6.25
25 DEG	17.0210	17.0214	17.0218	17.0222	17.0226	17.0230	17.0234	17.0238	17.0242	17.0246	17.0604	17.0608	17.0612	17.0616	17.0620	17.0624	17.0628	6.25
40 DEG	17.0211	17.0215	17.0219	17.0223	17.0227	17.0231	17.0235	17.0239	17.0243	17.0247	17.0605	17.0609	17.0613	17.0617	17.0621	17.0625	17.0629	6.25



1/8 THREADED HYDROJET NOZZLES

	2.0	2.5	3.0	3.5	4.0	4.5	5.0	5.5	6.0	6.5	7.0	7.5	8.0	8.5	9.0	9.5	10.0	LIST PRICE
0 DEG	17.0634	17.0638	17.0642	17.0646	17.0650	17.0654	17.0658	17.0662	17.0666	17.0670	17.0674	17.0678	17.0682	17.0686	17.0690	17.0694	17.0698	6.25
15 DEG	17.0635	17.0639	17.0643	17.0647	17.0651	17.0655	17.0659	17.0663	17.0667	17.0671	17.0675	17.0679	17.0683	17.0687	17.0691	17.0695	17.0699	6.25
25 DEG	17.0636	17.0640	17.0644	17.0648	17.0652	17.0656	17.0660	17.0664	17.0668	17.0672	17.0676	17.0680	17.0684	17.0688	17.0692	17.0696	17.0700	6.25
40 DEG	17.0637	17.0641	17.0645	17.0649	17.0653	17.0657	17.0661	17.0665	17.0669	17.0673	17.0677	17.0681	17.0685	17.0689	17.0693	17.0697	17.0701	6.25

SPRAY NOZZLE PACKS



HYDROJET 1/4 QC 4 PACKS INCLUDES 0°,15°,25°&40°QC NOZZLE		
	PART NUMBER	LIST PRICE
2.0	17.0142	27.75
2.5	17.0149	27.75
3.0	17.0156	27.75
3.5	17.0163	27.75
4.0	17.0170	27.75
4.5	17.0177	27.75
5.0	17.0184	27.75
5.5	17.0191	27.75
6.0	17.0198	27.75
6.5	17.0205	27.75
7.0	17.0576	27.75
7.5	17.0578	27.75
8.0	17.0580	27.75
8.5	17.0582	27.75
9.0	17.0584	27.75
9.5	17.0586	27.75
10.00	17.0588	27.75

HYDROJET 1/4 QC 5 PACKS INCLUDES 0°,15°,25°,40°&6540 SOAP NOZZLE		
	PART NUMBER	LIST PRICE
2.0	17.0143	30.00
2.5	17.0150	30.00
3.0	17.0157	30.00
3.5	17.0164	30.00
4.0	17.0171	30.00
4.5	17.0178	30.00
5.0	17.0185	30.00
5.5	17.0192	30.00
6.0	17.0199	30.00
6.5	17.0206	30.00
7.0	17.0577	30.00
7.5	17.0579	30.00
8.0	17.0581	30.00
8.5	17.0583	30.00
9.0	17.0585	30.00
9.5	17.0587	30.00
10.00	17.0589	30.00



BRASS SOAP NOZZLES				
PART NUMBER	TYPE	SIZE	QTY	LIST PRICE
17.0024	1/4 M	6540	10	3.00

BRASS SOAP NOZZLES				
PART NUMBER	TYPE	SIZE	QTY	LIST PRICE
17.0025	1/4 QC	6540	10	3.00

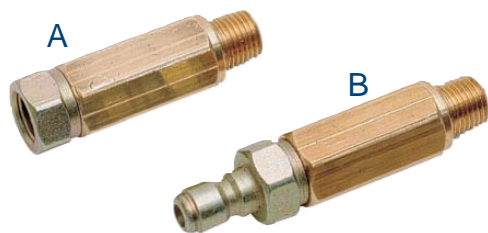
NOZZLE CLEANERS				
PART NUMBER	TYPE		QTY	LIST PRICE
17.0702	PLASTIC 1/4 QC		10	2.25
17.0703	BRASS 1/4 QC		10	9.00

NOZZLE PROTECTORS				
PART NUMBER	DESCRIPTION		QTY	LIST PRICE
41.0090	1/4 DELUXE 3 PIECE		50	5.75
22.0211	1/4 BLUE&GREY DELUXE 3 PIECE		50	6.50
41.0091	1/4 2 PIECE		50	3.50



NOZZLE SELECTION CHART
 To select the correct nozzle from the chart below select the GPM of your machine from the left hand column. Second select the PSI of your machine from the top line of the chart. Where the GPM row and PSI column meet is the proper size nozzle for your machine.

		PSI									
		500	1000	1500	2000	3000	3500	4000	4500	5000	6000
GPM	2.0	5.5	4.0	3.5	3.0	2.5	2.0	2.0	2.0	2.0	1.5
	2.5	7.0	5.0	4.0	3.5	3.0	2.5	2.5	2.5	2.0	2.0
	3.0	8.5	6.0	5.0	4.0	3.5	3.0	3.0	3.0	2.5	2.5
	3.5	10	7.0	5.5	5.0	4.0	3.5	3.5	3.5	3.0	3.0
	4.0	12	8.0	6.5	5.5	4.5	4.5	4.0	4.0	3.5	3.5
	4.5	13	9.0	7.5	6.5	5.0	5.0	4.5	4.0	4.0	3.5
	5.0	15	10	8.0	7.0	6.0	5.5	5.0	4.5	4.5	4.0
	5.5	20	11	9.0	8.0	6.5	6.0	5.5	5.0	5.0	4.5
	6.0	20	12	10	8.5	7.0	6.5	6.0	5.5	5.5	5.0
	6.5	20	13	11	9.0	7.5	7.0	6.5	6.0	6.0	5.5
	7.0	20	15	12	10	8.0	7.5	7.0	6.5	6.5	5.5
	7.5	30	15	12	11	8.5	8.0	7.5	7.0	6.5	6.0
	8.0	30	20	13	12	9.0	8.5	8.0	7.5	7.0	6.5
8.5	30	20	15	12	10	9.0	8.5	8.0	7.5	7.0	
9.0	30	20	15	13	11	10	9.0	8.5	8.00	7.5	
10	30	20	20	15	12	11	10	10	9.0	8.0	
12	40	30	20	20	15	13	12	12	11	10	



HIGH PRESSURE FILTER

PART NUMBER	IN-OUT	STRAINER	TYPE	QTY	LIST PRICE
23.0013	1/4 F - 1/4 M	280 micron	A	20	15.75
23.0014	1/4 M Q.C. plug	280 micron	B	20	17.25
PRESSURE	max 6000 psi				
TEMPERATURE	max 300°F				
41.0035	High Pressure Filter Repair Kit				



TURBO NOZZLES 3000 psi

PART NUMBER	INLET	NOZZLE	QTY	LIST PRICE
16.0114	1/4 F	030	10	79.25
16.0115	1/4 F	035	10	79.25
16.0116	1/4 F	040	10	79.25
TEMPERATURE	max 210°F			



TURBO NOZZLES 3600 psi

PART NUMBER	INLET	NOZZLE	QTY	LIST PRICE
16.0068	1/4 F	020	10	122.00
16.0069	1/4 F	025	10	122.00
16.0070	1/4 F	030	10	122.00
16.0071	1/4 F	035	10	122.00
16.0072	1/4 F	040	10	122.00
16.0073	1/4 F	045	10	122.00
16.0074	1/4 F	050	10	122.00
16.0075	1/4 F	055	10	122.00
16.0076	1/4 F	060	10	122.00
16.0077	1/4 F	065	10	122.00
TEMPERATURE	max 210°F			



HYDROJET TURBO NOZZLES 4000 psi

PART NUMBER	INLET	NOZZLE	QTY	LIST PRICE
16.0221	1/4 F	025	10	131.00
16.0222	1/4 F	030	10	131.00
16.0223	1/4 F	035	10	131.00
16.0224	1/4 F	040	10	131.00
16.0225	1/4 F	045	10	131.00
16.0226	1/4 F	050	10	131.00
16.0227	1/4 F	055	10	131.00
16.0228	1/4 F	060	10	131.00
TEMPERATURE	max 210°F			

TURBO NOZZLES



TURBO NOZZLES 4500 psi

PART NUMBER	INLET	NOZZLE	QTY	LIST PRICE
16.0078	1/4 F	030	10	162.00
16.0079	1/4 F	035	10	162.00
16.0080	1/4 F	040	10	162.00
16.0081	1/4 F	045	10	162.00
16.0082	1/4 F	050	10	162.00
16.0083	1/4 F	055	10	162.00
16.0084	1/4 F	060	10	162.00
16.0085	1/4 F	065	10	162.00
16.0086	1/4 F	070	10	162.00
TEMPERATURE	max 210°F			



HYDROJET TURBO NOZZLES 5000 psi

PART NUMBER	INLET	NOZZLE	QTY	LIST PRICE
16.0284	1/4 NPT F	030	10	209.50
16.0285	1/4 NPT F	035	10	209.50
16.0286	1/4 NPT F	040	10	209.50
16.0287	1/4 NPT F	045	10	209.50
16.0288	1/4 NPT F	050	10	209.50
16.0289	1/4 NPT F	055	10	209.50
16.0290	1/4 NPT F	060	10	209.50
16.0291	1/4 NPT F	065	10	209.50
16.0292	1/4 NPT F	070	10	209.50
16.0293	1/4 NPT F	075	10	209.50
TEMPERATURE	max 210°F			



TURBO NOZZLES 5800 psi

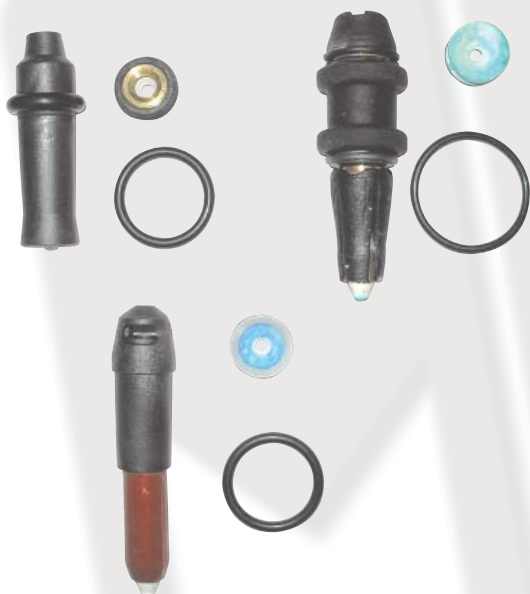
PART NUMBER	INLET	NOZZLE	QTY	LIST PRICE
16.0090	1/4 F	030	5	283.00
16.0091	1/4 F	035	5	283.00
16.0092	1/4 F	040	5	283.00
16.0093	1/4 F	045	5	283.00
16.0094	1/4 F	050	5	283.00
16.0095	1/4 F	055	5	283.00
16.0096	1/4 F	060	5	283.00
16.0097	1/4 F	065	5	283.00
16.0098	1/4 F	070	5	283.00
16.0099	1/4 F	075	5	283.00
16.0100	1/4 F	080	5	283.00
16.0101	1/4 F	090	5	283.00
16.0087	1/4 F	10	5	283.00
16.0102	1/4 F	11	5	283.00
16.0088	1/4 F	12	5	283.00
TEMPERATURE	max 210°F			



REPAIR KIT TURBO NOZZLES

REPAIR KIT TURBO NOZZLE 3000 psi

PART NUMBER	DESCRIPTION	LIST PRICE
41.0300	repair kit 030	66.00
41.0301	repair kit 035	66.00
41.0225	repair kit 040	66.00



REPAIR KIT TURBO NOZZLE 3600 psi

PART NUMBER	DESCRIPTION	LIST PRICE
41.0051	repair kit 020	84.75
41.0052	repair kit 025	84.75
41.0053	repair kit 030	84.75
41.0054	repair kit 035	84.75
41.0055	repair kit 040	84.75
41.0056	repair kit 045	84.75
41.0057	repair kit 050	84.75
41.0058	repair kit 055	84.75
41.0059	repair kit 060	84.75
41.0060	repair kit 065	84.75

REPAIR KIT TURBO NOZZLE 4000 psi

PART NUMBER	DESCRIPTION	LIST PRICE
41.0374	repair kit 025	99.50
41.0375	repair kit 030	99.50
41.0376	repair kit 035	99.50
41.0377	repair kit 040	99.50
41.0378	repair kit 045	99.50
41.0379	repair kit 050	99.50
41.0380	repair kit 055	99.50
41.0381	repair kit 060	99.50

REPAIR KIT TURBO NOZZLES



REPAIR KIT TURBO NOZZLE 4500 psi

PART NUMBER	DESCRIPTION	LIST PRICE
41.0061	repair kit 030	109.25
41.0062	repair kit 035	109.25
41.0063	repair kit 040	109.25
41.0064	repair kit 045	109.25
41.0065	repair kit 050	109.25
41.0066	repair kit 055	109.25
41.0067	repair kit 060	109.25
41.0068	repair kit 065	109.25
41.0069	repair kit 070	109.25

REPAIR KIT HYDROJET TURBO NOZZLE 5000 psi

PART NUMBER	DESCRIPTION	LIST PRICE
41.0482	repair kit 030	131.00
41.0483	repair kit 035	131.00
41.0484	repair kit 040	131.00
41.0485	repair kit 045	131.00
41.0486	repair kit 050	131.00
41.0487	repair kit 055	131.00
41.0488	repair kit 060	131.00
41.0489	repair kit 065	131.00
41.0490	repair kit 070	131.00
41.0491	repair kit 075	131.00



REPAIR KIT TURBO NOZZLE 5800 psi

PART NUMBER	DESCRIPTION	LIST PRICE
41.0072	repair kit 030	117.50
41.0073	repair kit 035	117.50
41.0074	repair kit 040	117.50
41.0075	repair kit 045	117.50
41.0076	repair kit 050	117.50
41.0077	repair kit 055	117.50
41.0078	repair kit 060	117.50
41.0079	repair kit 065	117.50
41.0080	repair kit 070	117.50
41.0081	repair kit 075	117.50
41.0082	repair kit 080	117.50
41.0083	repair kit 090	117.50
41.0070	repair kit 10	117.50
41.0085	repair kit 11	117.50
41.0071	repair kit 12	117.50



PROFESSIONAL FOAM JET KIT

PART NUMBER	INLET	HOSE LENGTH	QTY	LIST PRICE
14.0289	1/4 F	33 feet	10	199.00

PRESSURE max 5000 psi
 FLOW max 5.6 US gpm
 TEMPERATURE max 140°F

FOLLOWING NOZZLES ARE SUPPLIED WITH THE KIT

S.STEEL NOZZLE 3.5 (YELLOW) for 2.5-3.0 gpm 3000 psi PRESSURE WASHERS
 S.STEEL NOZZLE 5.0 (RED) for 3.5-4.0 gpm 4000 psi PRESSURE WASHERS
 S.STEEL NOZZLE 6.5 (BLACK) for 5.0-5.6 gpm 5000 psi PRESSURE WASHERS

OVER 20 FEET OF DENSE FOAM JET
 DETERGENT SUCTION POWER EVEN
 OVER 33 FEET HEIGHT



INDUSTRIAL SAND BLAST KIT - 5000 psi

PART NUMBER	INLET	NOZZLE	QTY	LIST PRICE
16.0117	1/4"plug	0° nozzle to be applied	10	215.00

HOSE LENGTH: 25 FEET

Working flow of 4 USgpm at 3000 psi to 8 USgpm at 5000 psi
 USE ZERO DEGREE NOZZLES (not included)

	3.5	4.0	4.5	5.0	LIST PRICE
0 Deg	17.0220	17.0224	17.0228	17.0232	6.25

REPLACEMENT PARTS - INDUSTRIAL SAND BLAST KIT

PART NUMBER	DESCRIPTION	LIST PRICE
16.0118	sand blast head	55.25
16.0119	sand valve 1/8 M	6.75
16.0121	tungsten carbide nozzle	82.00
16.0123	gasket	2.25
16.0124	sand probe	44.25
16.0127	clear PVC nylonbraided hose 3/4x3.5mmx25	36.00
16.0128	nozzle holder 1/4QC inlet x 1/4 F outlet	6.75



SPRAY GUN ASSEMBLIES & KITS

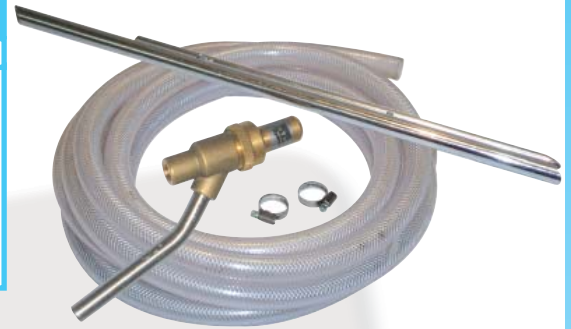
PART NUMBER	DESCRIPTION	LIST PRICE
41.0293	M407 attachment kit 4000psi, 5/16 kobrajel II hose assembly, includes 5 pack 4.5 nozzles	241.25
41.0294	M407 attachment kit 4000psi, 250deg 50' 3/8 high temp hose	271.00
41.0295	M407 attachment kit 3000psi, 140deg, 25' M22FxM22F 18"QC extension	139.25
41.0296	M407 attachment kit 3000psi, 140deg, 25' M22FxM22F 18" Dualjet hi-low nozzle extension	157.25
41.0501	M407 w/vented extension attachment kit, 18" plated steel extension w/3.0 dualjet hi-low nozzle, 5/16" x 30' kobrajel II	182.25
41.0502	M407 w/vented extension attachment kit, 18" plated steel extension w/3.0 dualjet hi-low nozzle, 5/16" x 50' kobrajel II	221.50
41.0503	M407 w/vented extension attachment kit, 18" plated steel extension w/3.0 dualjet hi-low nozzle, 3/8" x 50' kobrajel II	238.75
41.0504	M407 attachment kit, 36" molded grip plated steel lance w/brass qc coupler, hydrojet 4.0 qc nozzle 5 pack, 3/8" x 50' kobrajel II	245.00
41.0505	M407 w/vented extension attachment kit, 18" plated steel extension w/brass qc coupler, hydrojet 4.0 qc nozzle 5 pack, 3/8" x 50' kobrajel II	255.50

SAND BLAST KITS



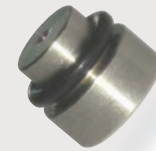
PROFESSIONAL SAND BLAST KIT - 4050 psi

PART NUMBER	NOZZLE	ORIFICE	QTY	LIST PRICE
16.0206	020	1.0 mm	10	169.75
16.0207	030	1.1 mm	10	169.75
16.0208	035	1.15 mm	10	169.75
16.0209	040	1.25 mm	10	169.75
16.0210	045	1.3 mm	10	169.75
16.0211	050	1.45 mm	10	169.75
16.0212	060	1.6 mm	10	169.75
PRESSURE	max 4050 psi			
TEMPERATURE	max 195°F			



REPLACEMENT NOZZLES for PROFESSIONAL SAND BLAST KITS

PART NUMBER	NOZZLE	ORIFICE	QTY	LIST PRICE
17.0875	020	1.0 mm with o-ring	10	5.25
17.0876	030	1.1 mm with o-ring	10	5.25
17.0877	035	1.15 mm with o-ring	10	5.25
17.0878	040	1.25 mm with o-ring	10	5.25
17.0879	045	1.3 mm with o-ring	10	5.25
17.0880	050	1.45 mm with o-ring	10	5.25
17.0881	060	1.6 mm with o-ring	10	5.25

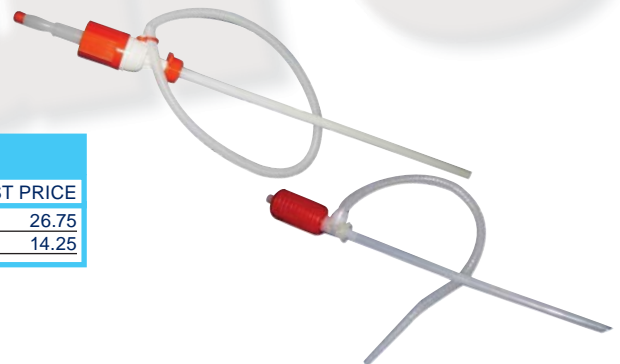


REPLACEMENT PART - PROFESSIONAL SAND BLAST KIT

PART NUMBER	DESCRIPTION	QTY	LIST PRICE
41.0357	Brass Nozzle Holder w/Tungsten Carbide Nozzle Cone	10	47.25
41.0358	O-ring Ø 13,1x2,62	10	1.00
41.0360	1/4 BSP blocking nozzl plug	10	1.25
41.0362	20' of 1/2" Clear Nylon Braided Tube	10	25.00
41.0363	20" Sand Probe	10	9.50

DRUM PUMPS

PART NUMBER	DESCRIPTION	LIST PRICE
22.0282	Chemical Drum Pump (White Tube 35", 1"Diameter)	26.75
22.0283	Chemical Drum Pump (White Tube 16", 1/2"Diameter)	14.25





DUALJET HI LO VARIABLE SPRAY ANGLE NOZZLE

PART NUMBER	INLET	NOZZLE	QTY	LIST PRICE
16.0017	1/4 F	**	25	18.75
16.0001	1/4 F	1.1-030-white	25	20.25
16.0002	1/4 F	1.2-035-yellow	25	20.25
16.0003	1/4 F	1.3-045-orange	25	20.25
16.0004	1/4 F	1.4-050-red	25	20.25
16.0005	1/4 F	1.5-055-blue	25	20.25
16.0006	1/4 F	1.6-065-black	25	20.25
16.0007	1/4 F	1.7-075-brown	25	20.25
16.0008	1/4 F	1.8-080-green	25	20.25

PRESSURE max 3000 psi
TEMPERATURE max 300° F



DUALJET VARIABLE SPRAY ANGLE NOZZLE

PART NUMBER	INLET	NOZZLE	QTY	LIST PRICE
16.0035	1/4 F	**	25	17.75
16.0019	1/4 F	1.1-030-white	25	18.25
16.0020	1/4 F	1.2-035-yellow	25	18.25
16.0021	1/4 F	1.3-045-orange	25	18.25
16.0022	1/4 F	1.4-050-red	25	18.25
16.0023	1/4 F	1.5-055-blue	25	18.25
16.0024	1/4 F	1.6-065-black	25	18.25
16.0025	1/4 F	1.7-075-brown	25	18.25
16.0026	1/4 F	1.8-080-green	25	18.25

PRESSURE max 3000 psi
TEMPERATURE max 300° F



DUALJET ORIFICES

CODE	Ø	Pressure (psi)									
		1500	1600	1700	1800	2000	2200	2400	2600	2800	3000
17.0001 white	1.10 - 3.0	1.84	1.90	1.96	2.01	2.12	2.22	2.32	2.42	2.51	2.60
17.0002 yellow	1.20 - 3.5	2.14	2.21	2.28	2.35	2.47	2.60	2.71	2.82	2.93	3.03
17.0003 orange	1.30 - 4.5	2.76	2.85	2.93	3.02	3.18	3.34	3.49	3.63	3.76	3.90
17.0004 red	1.45 - 5.5	3.06	3.16	3.26	3.35	3.54	3.71	3.87	4.03	4.18	4.33
17.0005 blue	1.55 - 5.5	3.37	3.48	3.59	3.69	3.89	4.08	4.26	4.43	4.60	4.76
17.0006 black	1.65 - 6.5	3.98	4.11	4.24	4.36	4.60	4.82	5.03	5.24	5.44	5.63
17.0007 brown	1.8 - 7.5	4.59	4.74	4.89	5.03	5.30	5.56	5.81	6.05	6.27	6.50
17.0008 green	1.85 - 8.0	4.90	5.06	5.22	5.37	5.66	5.93	6.20	6.45	6.69	6.93

Flow (US gpm)

LIST PRICE

3.25



SEWER JETTING HOSE

PART NUMBER	LENGTH	TYPE	QTY	LIST PRICE
16.0229	50'	1/8"	10	179.25
16.0230	100'	1/8"	10	358.50
16.0231	50'	1/4"	10	224.00
16.0232	100'	1/4"	10	428.25

PRESSURE max 4000 psi
TEMPERATURE max 160° F

SPECIAL NOZZLES



SEWER JETTING NOZZLES

PART NUMBER	INLET	NOZZLE SIZE	MATERIAL	QTY	LIST PRICE
17.0825	1/8 F	4.0	Stainless Steel	10	8.50
17.0827	1/8 F	5.0	Stainless Steel	10	8.50
17.0828	1/8 F	5.5	Stainless Steel	10	8.50
17.0829	1/8 F	6.0	Stainless Steel	10	8.50
17.0835	1/4 F	4.5	Stainless Steel	10	10.50
17.0837	1/4 F	5.5	Stainless Steel	10	10.50
17.0839	1/4 F	6.5	Stainless Steel	10	10.50
17.0840	1/4 F	7.0	Stainless Steel	10	10.50
17.0841	1/4 F	8.0	Stainless Steel	10	10.50
17.0860	1/4 F	9.5	Stainless Steel	10	10.50
17.0842	1/4 F	12.0	Stainless Steel	10	10.50
17.0844	3/8 F	4.5	Stainless Steel	10	12.50
17.0846	3/8 F	5.5	Stainless Steel	10	12.50
17.0848	3/8 F	6.5	Stainless Steel	10	12.50
17.0850	3/8 F	8.0	Stainless Steel	10	12.50
17.0851	3/8 F	12.0	Stainless Steel	10	12.50

ROTATING SEWER NOZZLES

PART NUMBER	INLET	NOZZLE SIZE	QTY	LIST PRICE
17.0019	1/4 F	045	10	19.25
17.0020	1/8 F	045	10	19.25
17.0021	3/8 F	085	10	19.25
17.0852	1/8 F	055	10	19.25
17.0853	1/4 F	055	10	19.25

BRASS SOAP NOZZLES

PART NUMBER	TYPE	SIZE	QTY	LIST PRICE
17.0024	1/4 M	6540	10	3.00
17.0025	1/4 QC	6540	10	3.00

BRASS STEAM NOZZLE

PART NUMBER	THREAD TYPE	NOZZLE TYPE	QTY	LIST PRICE
17.0023	1/4 F	flat	10	14.25

NOZZLE PROTECTORS

PART NUMBER	DESCRIPTION	QTY	LIST PRICE
41.0090	1/4 DELUXE 3 PIECE	50	5.75
22.0211	1/4 BLUE&GREY DELUXE 3 PIECE	50	6.50
41.0091	1/4 2 PIECE	50	3.50





COMPLETE WITH
PANEL MOUNTING

MG4000 UNLOADER

PART NUMBER	INLET-OUTLET	BY-PASS	MAX PRESSURE	QTY	LIST PRICE
WITH HANDLE					
18.0296	3/8 F - 3/8 F	3/8 F	1500psi yellow	25	124.50
18.0299	3/8 F - 3/8 F	3/8 F	3000psi red	25	124.50
18.0303	3/8 F - 3/8 F	3/8 F	4000psi blue	25	124.50
18.0307	3/8 F - 3/8 F	3/8 F	4500psi black	25	124.50
WITH HANDLE and MICROSWITCH					
18.0159	3/8 F - 3/8 F	3/8 F	1500psi yellow	15	157.50
18.0161	3/8 F - 3/8 F	3/8 F	3000psi red	15	157.50
18.0164	3/8 F - 3/8 F	3/8 F	4000psi blue	15	157.50
18.0167	3/8 F - 3/8 F	3/8 F	4500psi black	15	157.50
WITHOUT HANDLE					
18.0150	3/8 F - 3/8 F	3/8 F	1500psi yellow	25	117.00
18.0152	3/8 F - 3/8 F	3/8 F	3000psi red	25	117.00
18.0156	3/8 F - 3/8 F	3/8 F	4000psi blue	25	117.00
18.0158	3/8 F - 3/8 F	3/8 F	4500psi black	25	117.00
WITHOUT HANDLE - WITH MICROSWITCH					
18.0160	3/8 F - 3/8 F	3/8 F	1500psi yellow	15	149.75
18.0162	3/8 F - 3/8 F	3/8 F	3000psi red	15	149.75
18.0165	3/8 F - 3/8 F	3/8 F	4000psi blue	15	149.75
18.0168	3/8 F - 3/8 F	3/8 F	4500psi black	15	149.75
TEMPERATURE			max 195°F		
FLOW			max 10.5 USgpm		
VOLTAGE			max 250 V		
CURRENT INT.			max 15 A		

REPAIR KITS MG4000 UNLOADER

PART NUMBER	DESCRIPTION	LIST PRICE
41.0032	repair kit for MG4000 unloader	38.25

MG4000 UNLOADER WITH FIXED CHEMICAL INJECTOR

PART NUMBER	INLET-OUTLET	BY-PASS	MAX PRESSURE	QTY	LIST PRICE
WITH HANDLE					
18.0169*	3/8 F - 3/8 F	3/8 F	1500psi yellow	20	152.50
18.0177*	3/8 F - 3/8 F	3/8 F	3000psi red	20	152.50
18.0185*	3/8 F - 3/8 F	3/8 F	4000psi blue	20	152.50
18.0193*	3/8 F - 3/8 F	3/8 F	4500psi black	20	152.50
SPECIFY INJECTOR ORIFICE SIZE WHEN ORDERING					
ø1.6 mm (1 to 2 GPM) - ø1.8 mm (2 to 3.8 GPM) - ø2.1 mm (2.7 to 4.9 GPM) - ø2.3 mm (3.3 to 6.5 GPM)					

MG4000 UNLOADER WITH ADJUSTABLE CHEMICAL INJECTOR

PART NUMBER	INLET-OUTLET	BY-PASS	MAX PRESSURE	QTY	LIST PRICE
WITH HANDLE					
18.0201*	3/8 F - 3/8 M	3/8 F	1500psi yellow	20	163.50
18.0209*	3/8 F - 3/8 M	3/8 F	3000psi red	20	163.50
18.0217*	3/8 F - 3/8 M	3/8 F	4000psi blue	20	163.50
18.0225*	3/8 F - 3/8 M	3/8 F	4500psi black	20	163.50
TEMPERATURE			max 195°F		
FLOW			max 10.5 USgpm		
SPECIFY INJECTOR ORIFICE SIZE WHEN ORDERING					
ø1.6 mm (1 to 2 GPM) - ø1.8 mm (2 to 3.8 GPM) - ø2.1 mm (2.7 to 4.9 GPM) - ø2.3 mm (3.3 to 6.5 GPM)					

UNLOADER BLOCKS

PART NUMBER	MATERIAL	INLET	OUTLET	QTY	LIST PRICE
22.0103	Brass	3/8 F	3/8 F	20	46.00
22.0104	Brass	1/2 F	1/2 F	20	46.00

NICKEL PLATED UNLOADER BLOCKS 4000 psi

PART NUMBER	MATERIAL	INLET	OUTLET	QTY	LIST PRICE
22.0292	Plated Steel	3/8 F	3/8 F	20	20.50
22.0294	Plated Steel	1/2 F	1/2 F	20	20.50

UNLOADERS WITH BY-PASS



BP9 UNLOADER

PART NUMBER	INLET-OUTLET	BY-PASS	MAX PRESSURE	QTY	LIST PRICE
WITH HANDLE					
18.0001	3/8 F - 3/8 F	3/8 F	1500psi yellow	25	132.75
18.0003	3/8 F - 3/8 F	3/8 F	3000psi red	25	132.75
18.0005	3/8 F - 3/8 F	3/8 F	4000psi blue	25	132.75
18.0007	3/8 F - 3/8 F	3/8 F	4500psi black	25	132.75
WITHOUT HANDLE					
18.0002	3/8 F - 3/8 F	3/8 F	1500psi yellow	25	125.25
18.0004	3/8 F - 3/8 F	3/8 F	3000psi red	25	125.25
18.0006	3/8 F - 3/8 F	3/8 F	4000psi blue	25	125.25
18.0008	3/8 F - 3/8 F	3/8 F	4500psi black	25	125.25
TEMPERATURE	max 195°F				
FLOW	max 8 USgpm				



RESTARTING AT LOW
PRESSURE AND
PANEL MOUNTING

BP9 UNLOADER WITH FIXED CHEMICAL INJECTOR

PART NUMBER	INLET-OUTLET	BY-PASS	MAX PRESSURE	QTY	LIST PRICE
WITH HANDLE					
18.0009*	3/8 F - 3/8 F	3/8 F	1500psi yellow	20	151.00
18.0013*	3/8 F - 3/8 F	3/8 F	3000psi red	20	151.00
18.0017*	3/8 F - 3/8 F	3/8 F	4000psi blue	20	151.00
18.0021*	3/8 F - 3/8 F	3/8 F	4500psi black	20	151.00
TEMPERATURE	max 195°F				
FLOW	max 8 USgpm				
SPECIFY INJECTOR ORIFICE SIZE WHEN ORDERING					
ø1.6 mm (1 to 2 GPM) - ø1.8 mm (2 to 3.8 GPM) - ø2.1 mm (2.7 to 4.9 GPM) - ø2.3 mm (3.3 to 6.5 GPM)					



BP9 UNLOADER WITH ADJUSTABLE CHEMICAL INJECTOR

PART NUMBER	INLET-OUTLET	BY-PASS	MAX PRESSURE	QTY	LIST PRICE
WITH HANDLE					
18.0025*	3/8 F - 3/8 F	3/8 F	1500psi yellow	20	163.00
18.0029*	3/8 F - 3/8 F	3/8 F	3000psi red	20	163.00
18.0033*	3/8 F - 3/8 F	3/8 F	4000psi blue	20	163.00
18.0037*	3/8 F - 3/8 F	3/8 F	4500psi black	20	163.00
TEMPERATURE	max 195°F				
FLOW	max 8 USgpm				
SPECIFY INJECTOR ORIFICE SIZE WHEN ORDERING					
ø1.6 mm (1 to 2 GPM) - ø1.8 mm (2 to 3.8 GPM) - ø2.1 mm (2.7 to 4.9 GPM) - ø2.3 mm (3.3 to 6.5 GPM)					



REPAIR KITS BP9 UNLOADER

PART NUMBER	DESCRIPTION	LIST PRICE
41.0025	repair kit for BP9 unloader	40.75

* Indicates Non-Stock Item. Available by Special Order Only.



BP91 UNLOADER

PART NUMBER	INLET-OUTLET	BY-PASS	MAX PRESSURE	QTY	LIST PRICE
WITH HANDLE					
18.0113	3/8 F - 3/8 F	3/8 F	1500psi yellow	25	130.75
18.0114	3/8 F - 3/8 F	3/8 F	3000psi red	25	130.75
18.0115	3/8 F - 3/8 F	3/8 F	4000psi blue	25	130.75
18.0116	3/8 F - 3/8 F	3/8 F	4500psi black	25	130.75
TEMPERATURE	max 195°F				
FLOW	max 8 USgpm				

RESTARTING AT LOW PRESSURE
INCLUDING:
-BYPASS
-EASY STARTER



BP91 UNLOADER WITH FIXED CHEMICAL INJECTOR

PART NUMBER	INLET-OUTLET	BY-PASS	MAX PRESSURE	QTY	LIST PRICE
WITH HANDLE					
18.0117*	3/8 F - 3/8 F	3/8 F	1500psi yellow	25	150.50
18.0121*	3/8 F - 3/8 F	3/8 F	3000psi red	25	150.50
18.0125*	3/8 F - 3/8 F	3/8 F	4000psi blue	25	150.50
18.0129*	3/8 F - 3/8 F	3/8 F	4500psi black	25	150.50
TEMPERATURE	max 195°F				
FLOW	max 8 USgpm				
SPECIFY INJECTOR ORIFICE SIZE WHEN ORDERING					
ø1.6 mm (1 to 2 GPM) - ø1.8 mm (2 to 3.8 GPM) - ø2.1 mm (2.7 to 4.9 GPM) - ø2.3 mm (3.3 to 6.5 GPM)					

RESTARTING AT LOW PRESSURE
INCLUDING:
-BYPASS
-EASY STARTER



BP91 UNLOADER WITH ADJUSTABLE CHEMICAL INJECTOR

PART NUMBER	INLET-OUTLET	BY-PASS	MAX PRESSURE	QTY	LIST PRICE
WITH HANDLE					
18.0133*	3/8 F - 3/8 F	3/8 F	1500psi yellow	25	161.50
18.0137*	3/8 F - 3/8 F	3/8 F	3000psi red	25	161.50
18.0141*	3/8 F - 3/8 F	3/8 F	4000psi blue	25	161.50
18.0145*	3/8 F - 3/8 F	3/8 F	4500psi black	25	161.50
TEMPERATURE	max 195°F				
FLOW	max 8 USgpm				
SPECIFY INJECTOR ORIFICE SIZE WHEN ORDERING					
ø1.6 mm (1 to 2 GPM) - ø1.8 mm (2 to 3.8 GPM) - ø2.1 mm (2.7 to 4.9 GPM) - ø2.3 mm (3.3 to 6.5 GPM)					

RESTARTING AT LOW PRESSURE
INCLUDING:
-BYPASS
-EASY STARTER

REPAIR KITS BP91 UNLOADER

PART NUMBER	DESCRIPTION	LIST PRICE
41.0031	repair kit for BP91 unloader	37.75

MULTIVALVE UNLOADERS



BP93 UNLOADER

PART NUMBER	INLET-OUTLET	BY-PASS	MAX PRESSURE	QTY	LIST PRICE
WITH HANDLE					
18.0045	3/8 F - 3/8 F	1/4 F	1500psi yellow	25	139.00
18.0046	3/8 F - 3/8 F	1/4 F	3000psi red	25	139.00
18.0047	3/8 F - 3/8 F	1/4 F	4000psi blue	25	139.00
18.0048	3/8 F - 3/8 F	1/4 F	4500psi black	25	139.00
TEMPERATURE	max 195°F				
FLOW	max 8 USgpm				

RESTARTING AT LOW PRESSURE INCLUDING:
 -BY-PASS
 -THERMO PROTECTOR
 -EASY STARTER



BP93 UNLOADER WITH FIXED CHEMICAL INJECTOR

PART NUMBER	INLET-OUTLET	BY-PASS	MAX PRESSURE	QTY	LIST PRICE
WITH HANDLE					
18.0049*	3/8 F - 3/8 F	1/4 F	1500psi yellow	25	158.00
18.0053*	3/8 F - 3/8 F	1/4 F	3000psi red	25	158.00
18.0057*	3/8 F - 3/8 F	1/4 F	4000psi blue	25	158.00
18.0061*	3/8 F - 3/8 F	1/4 F	4500psi black	25	158.00
TEMPERATURE	max 195°F				
FLOW	max 8 USgpm				
SPECIFY INJECTOR ORIFICE SIZE WHEN ORDERING					
ø1.6 mm (1 to 2 GPM) - ø1.8 mm (2 to 3.8 GPM) - ø2.1 mm (2.7 to 4.9 GPM) - ø2.3 mm (3.3 to 6.5 GPM)					

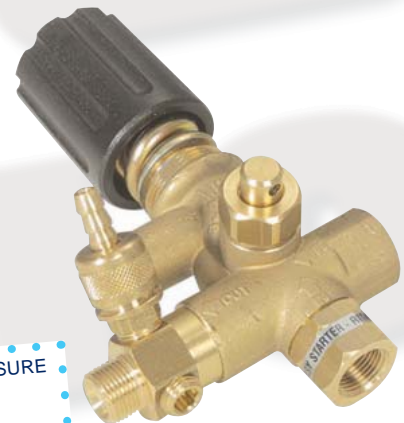
RESTARTING AT LOW PRESSURE INCLUDING:
 -BY-PASS
 -THERMO PROTECTOR
 -EASY STARTER



BP93 UNLOADER WITH ADJUSTABLE CHEMICAL INJECTOR

PART NUMBER	INLET-OUTLET	BY-PASS	MAX PRESSURE	QTY	LIST PRICE
WITH HANDLE					
18.0065*	3/8 F - 3/8 F	1/4 F	1500psi yellow	25	169.00
18.0069*	3/8 F - 3/8 F	1/4 F	3000psi red	25	169.00
18.0073*	3/8 F - 3/8 F	1/4 F	4000psi blue	25	169.00
18.0077*	3/8 F - 3/8 F	1/4 F	4500psi black	25	169.00
TEMPERATURE	max 195°F				
FLOW	max 8 USgpm				
SPECIFY INJECTOR ORIFICE SIZE WHEN ORDERING					
ø1.6 mm (1 to 2 GPM) - ø1.8 mm (2 to 3.8 GPM) - ø2.1 mm (2.7 to 4.9 GPM) - ø2.3 mm (3.3 to 6.5 GPM)					

RESTARTING AT LOW PRESSURE INCLUDING:
 -BY-PASS
 -THERMO PROTECTOR
 -EASY STARTER



REPAIR KITS BP93 UNLOADER

PART NUMBER	DESCRIPTION	LIST PRICE
41.0026	repair kit for BP93 unloader	54.75

* Indicates Non-Stock Item. Available by Special Order Only.

MULTIVALVE UNLOADERS



BP90 UNLOADER

PART NUMBER	INLET-OUTLET	BY-PASS	MAX PRESSURE	QTY	LIST PRICE
WITH HANDLE					
18.0041	3/8 F - 3/8 F	1/4 F	1500psi yellow	25	145.75
18.0042	3/8 F - 3/8 F	1/4 F	3000psi red	25	145.75
18.0043	3/8 F - 3/8 F	1/4 F	4000psi blue	25	145.75
18.0044	3/8 F - 3/8 F	1/4 F	4500psi black	25	145.75
TEMPERATURE	max 195°F				
FLOW	max 8 USgpm				

- RESTARTING AT LOW PRESSURE
- INCLUDING:
- -BY-PASS
- -THERMO PROTECTOR
- -EASY STARTER
- -SAFETY VALVE



BP90 UNLOADER WITH FIXED CHEMICAL INJECTOR

PART NUMBER	INLET-OUTLET	BY-PASS	MAX PRESSURE	QTY	LIST PRICE
WITH HANDLE					
18.0081*	3/8 F - 3/8 F	1/4 F	1500psi yellow	25	164.50
18.0085*	3/8 F - 3/8 F	1/4 F	3000psi red	25	164.50
18.0089*	3/8 F - 3/8 F	1/4 F	4000psi blue	25	164.50
18.0093*	3/8 F - 3/8 F	1/4 F	4500psi black	25	164.50
TEMPERATURE	max 195°F				
FLOW	max 8 USgpm				

SPECIFY INJECTOR ORIFICE SIZE WHEN ORDERING
 ø1.6 mm (1 to 2 GPM) - ø1.8 mm (2 to 3.8 GPM) - ø2.1 mm (2.7 to 4.9 GPM) - ø2.3 mm (3.3 to 6.5 GPM)

- RESTARTING AT LOW PRESSURE
- INCLUDING:
- -BY-PASS
- -THERMO PROTECTOR
- -EASY STARTER
- -SAFETY VALVE



BP90 UNLOADER WITH ADJUSTABLE CHEMICAL INJECTOR

PART NUMBER	INLET-OUTLET	BY-PASS	MAX PRESSURE	QTY	LIST PRICE
WITH HANDLE					
18.0097*	3/8 F - 3/8 F	1/4 F	1500psi yellow	25	175.50
18.0101*	3/8 F - 3/8 F	1/4 F	3000psi red	25	175.50
18.0105*	3/8 F - 3/8 F	1/4 F	4000psi blue	25	175.50
18.0109*	3/8 F - 3/8 F	1/4 F	4500psi black	25	175.50
TEMPERATURE	max 195°F				
FLOW	max 8 USgpm				

SPECIFY INJECTOR ORIFICE SIZE WHEN ORDERING
 ø1.6 mm (1 to 2 GPM) - ø1.8 mm (2 to 3.8 GPM) - ø2.1 mm (2.7 to 4.9 GPM) - ø2.3 mm (3.3 to 6.5 GPM)

- RESTARTING AT LOW PRESSURE
- INCLUDING:
- -BY-PASS
- -THERMO PROTECTOR
- -EASY STARTER
- -SAFETY VALVE

REPAIR KITS BP90 UNLOADER

PART NUMBER	DESCRIPTION	LIST PRICE
41.0026	repair kit for BP90 unloader	54.75
41.0027	repair kit 1500psi pressure relief valve for BP90 unloader	34.25
41.0028	repair kit 3000psi pressure relief valve for BP90 unloader	34.25
41.0029	repair kit 4000psi pressure relief valve for BP90 unloader	34.25
41.0030	repair kit 4500psi pressure relief valve for BP90 unloader	34.25

VALVES



PRESSURE RELIEF VALVE MG1000

PART NUMBER	INLET	OUTLET	QTY	LIST PRICE
19.0001	1/4 M	1/4 M	25	40.25
19.0002	1/4 M	hose barb ø 6 mm	25	41.75
19.0003	3/8 M	1/4 M	25	40.25
19.0004	3/8 M	hose barb ø 6 mm	25	41.75
PRESSURE		max 3600 psi		
FLOW		max 8 USgpm		
TEMPERATURE		max 195°F		



PRESSURE RELIEF VALVE MG2000

PART NUMBER	INLET	OUTLET	FLOW	QTY	LIST PRICE
19.0005	1/4 M	1/4 F	6 USgpm	25	22.00
PRESSURE		max 2200 psi			
TEMPERATURE		max 195°F			



THERMAL RELIEF VALVE TRV

PART NUMBER	INLET	OUTLET	OPENING TEMPER.	QTY	LIST PRICE
20.0019	1/4 M	hose barb ø7	135°F	20	30.00
20.0020	3/8 M	hose barb ø7	135°F	20	25.00
20.0021	1/2 M	hose barb ø7	135°F	20	26.00
PRESSURE		max 145 psi			



THERMAL RELIEF VALVE

PART NUMBER	INLET	OPENING TEMPER.	QTY	LIST PRICE
20.0069	1/4 M	150°F	20	8.50
20.0070	3/8 M	150°F	20	10.75
20.0071	1/2 M	150°F	20	13.75
PRESSURE	max 145 psi			



ALL PRESSURE RELIEF VALVES ARE SUPPLIED WITHOUT ANY PRESET PRESSURE SETTING. THEY BECOME A SAFETY DEVICE WHEN THEY ARE ADJUSTED DURING INSTALLATION.

* Indicates Non-Stock Item. Available by Special Order Only.



CHECK VALVE CK500

PART NUMBER	INLET-OUTLET	PRESSURE	QTY	LIST PRICE
20.0066	1/4 F - 1/4 F	4500psi	20	26.50
20.0067	3/8 F - 3/8 F	3650psi	20	28.25
20.0068	1/2 F - 1/2 F	3650psi	20	46.25
TEMPERATURE	195° F			
MATERIAL	Brass			



CKX600 STAINLESS STEEL CHECK VALVE

PART NUMBER	INLET-OUTLET	PRESSURE	QTY	LIST PRICE
20.0012	1/4 F - 1/4 F	6000psi	20	45.00
20.0014	3/8 F - 3/8 F	6000psi	20	51.75
20.0013	1/4 M - 1/4 M	6000psi	20	46.00
20.0015	3/8 M - 3/8 M	6000psi	20	51.75
TEMPERATURE	195° F			



EASY START VALVE

PART NUMBER	INLET	VALVE CLOSE WITH	QTY	LIST PRICE
20.0018	3/8 M	1,6 USgpm	10	30.00
PRESSURE				max 4100 psi
FLOW				max 8 USgpm
TEMPERATURE				max 195° F

• RELIEVES PUMP PRESSURE
• DURING ENGINE START UP



CHEMICAL "T" METERING VALVE

PART NUMBER	INLET	OUTLET	QTY	LIST PRICE
22.0120	1/4 F	1/4 F	25	35.50
PRESSURE				max 440 psi
FLOW				max 3 USgpm
TEMPERATURE				max 100°F



CHEMICAL "T" METERING VALVE

PART NUMBER	INLET	OUTLET	QTY	LIST PRICE
20.0034	1/4 F	1/4 F	25	28.75
PRESSURE				max 4000 psi
FLOW				max 3 USgpm
TEMPERATURE				max 300°F

HYDRO POWER G200F GAS ENGINE

PART NUMBER	DESCRIPTION	LIST PRICE
42.0154	Hydro Power G200F Gas Engine	641.60

ENGINE FEATURES:

- DISPLACEMENT 196CC
- OHV COMMERCIAL GRADE ENGINE
- FUEL EFFICIENT OVERHEAD VALVE
- HORIZONTAL SHAFT
- FIRST PULL STARTING
- LOW TONE - QUIET MUFFLER
- SINGLE CYLINDER
- 4-STROKE
- AIR COOLED HEAT DISSIPATING
- DUAL AIR INTAKE FILTER
- EASY TO READ CONTROLS
- OIL ALERT - LOW OIL SHUT DOWN PROTECTION
- EPA/CARB COMPLIANT
- 2 YEAR LIMITED WARRANTY



HYDRO POWER G3900F GAS ENGINE

PART NUMBER	DESCRIPTION	LIST PRICE
42.0155	Hydro Power G3900F Gas Engine	1222.10

ENGINE FEATURES:

- DISPLACEMENT 389CC
- OHV COMMERCIAL GRADE ENGINE
- FUEL EFFICIENT OVERHEAD VALVE
- HORIZONTAL SHAFT
- FIRST PULL STARTING
- LOW TONE - QUIET MUFFLER
- SINGLE CYLINDER
- 4-STROKE
- AIR COOLED HEAT DISSIPATING
- DUAL AIR INTAKE FILTER
- EASY TO READ CONTROLS
- OIL ALERT - LOW OIL SHUT DOWN PROTECTION
- EPA/CARB COMPLIANT
- 2 YEAR LIMITED WARRANTY

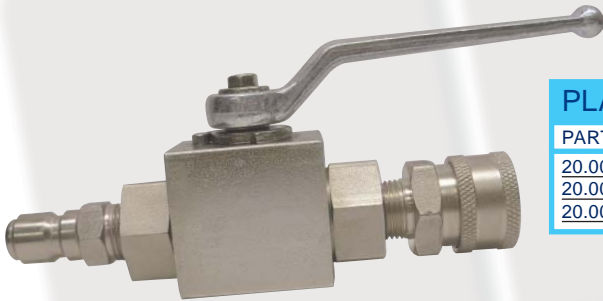




CHROMED SHUT-OFF BALL
ON TEFLON SEALS

PLATED STEEL BALL VALVES - 7000 psi

PART NUMBER	CONNECTIONS	HOLE	MAX PRESS.	QTY	LIST PRICE
20.0035	1/4 F - 1/4 F	ø 6 mm	7000 psi	5	57.50
20.0036	3/8 F - 3/8 F	ø 10 mm	7000 psi	5	63.25
20.0037	1/2 F - 1/2 F	ø 12 mm	7000 psi	5	65.50
TEMPERATURE		max 176°F			



PLATED STEEL BALL VALVES with QC COUPLER & PLUG

PART NUMBER	DESCRIPTION	MAX PRESS.	QTY	LIST PRICE
20.0042	Assembly Ball Valve 1/4	5500 psi	5	65.00
20.0043	Assembly Ball Valve 3/8	4200 psi	5	70.75
20.0044	Assembly Ball Valve 1/2	3600 psi	5	71.00



S. STEEL SHUT-OFF BALL
ON TEFLON SEALS

304 STAINLESS STEEL BALL VALVES - 6000 psi

PART NUMBER	CONNECTIONS	HOLE	MAX PRESS.	QTY	LIST PRICE
20.0038	1/4 F - 1/4 F	ø 10 mm	6000 psi	5	73.25
20.0039	3/8 F - 3/8 F	ø 14 mm	6000 psi	5	146.25
20.0040	1/2 F - 1/2 F	ø 14 mm	6000 psi	5	146.25
TEMPERATURE		max 300°F			



B



A



CHROMED SHUT-OFF BALL
ON ACETYL RESIN SEAL

BRASS BALL VALVE

PART NUMBER	CONNECTIONS	HOLE	MAX PRESS.	TYPE	QTY	LIST PRICE
20.0032	3/8 F - 3/8 F	ø 8 mm	3000 psi	A	5	79.25
20.0033	1/2 F - 1/2 F	ø 12 mm	3000 psi	A	5	107.50
TEMPERATURE		max 176°F				
20.0027	1/4 F - 1/4 F	ø 10 mm	600 psi	B	5	13.75
20.0029	1/2 F - 1/2 F	ø 15 mm	600 psi	B	5	16.25
20.0030	3/4 F - 3/4 F	ø 20 mm	600 psi	B	5	21.25
20.0031	1" F - 1" F	ø 25 mm	600 psi	B	5	34.25
TEMPERATURE		max 428°F				

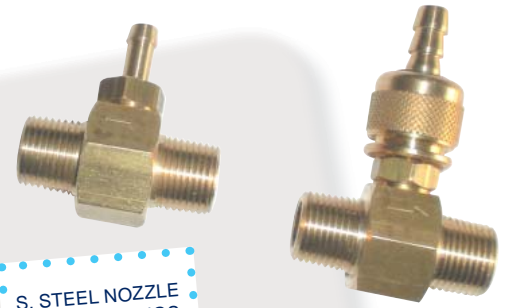
CHEMICAL INJECTORS



CHEMICAL INJECTORS 3/8 NPT M-3/8 NPT M

PART NUMBER	TYPE	NOZZLE	QTY	LIST PRICE
22.0314	Fixed	ø 1.8 mm	20	16.00
22.0315	Fixed	ø 2.1 mm	20	16.00
22.0316	Fixed	ø 2.3 mm	20	16.00
22.0317	Adjustable	ø 1.8 mm	20	21.75
22.0318	Adjustable	ø 2.1 mm	20	21.75
22.0319	Adjustable	ø 2.3 mm	20	21.75
22.0320	Acid Fixed	ø 1.8 mm	20	20.00
22.0321	Acid Fixed	ø 2.1 mm	20	20.00
22.0322	Acid Fixed	ø 2.3 mm	20	20.00
22.0323	Acid Adjustable	ø 1.8 mm	20	25.75
22.0324	Acid Adjustable	ø 2.1 mm	20	25.75
22.0325	Acid Adjustable	ø 2.3 mm	20	25.75
22.0326	Repair Kit for Acid Chemical Injectors			9.00
PRESSURE		max 3600 psi	TEMPERATURE	max 300°F
		ø1.8 mm (2 to 3.8 GPM) - ø2.1 mm (2.7 to 4.9 GPM) - ø2.3 mm (3.3 to 6.5 GPM)		

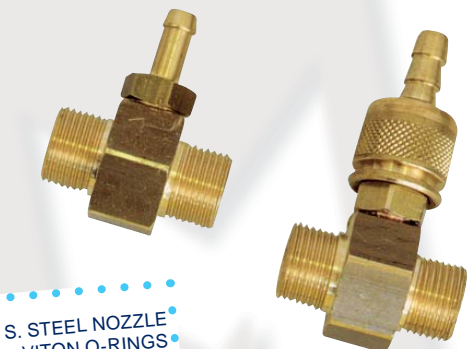
SPECIAL 20% HI DRAW/MIX RATIO



S. STEEL NOZZLE + VITON O-RINGS

CHEMICAL INJECTORS 3/8 M-3/8 M

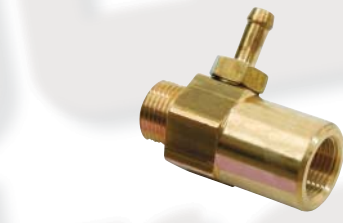
PART NUMBER	TYPE	NOZZLE	QTY	LIST PRICE
22.0019	Fixed	ø 1.6 mm	20	26.50
22.0020	Fixed	ø 1.8 mm	20	26.50
22.0021	Fixed	ø 2.1 mm	20	26.50
22.0022	Fixed	ø 2.3 mm	20	26.50
22.0040	Adjustable	ø 1.6 mm	20	37.50
22.0041	Adjustable	ø 1.8 mm	20	37.50
22.0039	Adjustable	ø 2.1 mm	20	37.50
22.0042	Adjustable	ø 2.3 mm	20	37.50
PRESSURE		max 3600 psi	TEMPERATURE	max 300°F
		ø1.8 mm (2 to 3.8 GPM) - ø2.1 mm (2.7 to 4.9 GPM) - ø2.3 mm (3.3 to 6.5 GPM)		



S. STEEL NOZZLE + VITON O-RINGS

CHEMICAL INJECTORS 3/8 M-3/8 F

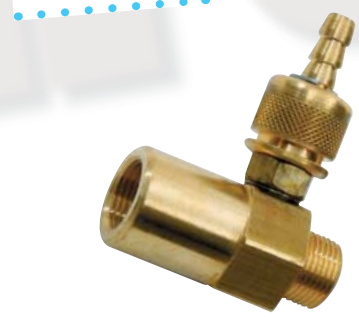
PART NUMBER	TYPE	NOZZLE	QTY	LIST PRICE
22.0027	Fixed	ø1.6 mm	20	31.25
22.0028	Fixed	ø1.8 mm	20	31.25
22.0029	Fixed	ø2.1 mm	20	31.25
22.0030	Fixed	ø2.3 mm	20	31.25
22.0047	Adjustable	ø1.6 mm	20	42.00
22.0048	Adjustable	ø1.8 mm	20	42.00
22.0049	Adjustable	ø2.1 mm	20	42.00
22.0050	Adjustable	ø2.3 mm	20	42.00
PRESSURE		max 3600 psi	TEMPERATURE	max 300°F
		ø1.6 mm (1 to 2 GPM) - ø1.8 mm (2 to 3.8 GPM) - ø2.1 mm (2.7 to 4.9 GPM) - ø2.3 mm (3.3 to 6.5 GPM)		



S. STEEL NOZZLE + VITON O-RINGS

CHEMICAL INJECTORS 3/8 F-3/8 M

PART NUMBER	TYPE	NOZZLE	QTY	LIST PRICE
22.0031*	Fixed	ø1.6 mm	20	31.25
22.0032*	Fixed	ø1.8 mm	20	31.25
22.0033*	Fixed	ø2.1 mm	20	31.25
22.0034*	Fixed	ø2.3 mm	20	31.25
22.0051	Adjustable	ø1.6 mm	20	42.00
22.0052	Adjustable	ø1.8 mm	20	42.00
22.0053	Adjustable	ø2.1 mm	20	42.00
22.0054	Adjustable	ø2.3 mm	20	42.00
PRESSURE		max 3600 psi	TEMPERATURE	max 300°F
		ø1.6 mm (1 to 2 GPM) - ø1.8 mm (2 to 3.8 GPM) - ø2.1 mm (2.7 to 4.9 GPM) - ø2.3 mm (3.3 to 6.5 GPM)		



* Indicates Non-Stock Item. Available by Special Order Only.

TAPS WITH FLOAT AND TANK



PLASTIC FLOAT VALVES

PART NUMBER	INLET	TYPE	QTY	LIST PRICE
22.0001	3/4 M	no filter no pipe	50	25.25
22.0010	3/4 M	with filter no pipe	50	25.25
22.0011	3/4 M	no filter with pipe	50	25.50
22.0012	3/4 M	with filter and pipe	50	26.75
PRESSURE		max 145 psi		
TEMPERATURE		max 140°F		
OVERALL SIZE		7.8 inch		

BRASS FLOAT VALVES

PART NUMBER	INLET	TYPE	QTY	LIST PRICE
22.0015	3/4 M	no filter no pipe	25	36.50
22.0013	3/4 M	with filter no pipe	25	36.50
22.0016	3/4 M	no filter with pipe	25	36.50
22.0014	3/4 M	with filter and pipe	25	36.50
22.0017	1/2 M	no filter no pipe	25	41.25
22.0018	1/2 M	no filter with pipe	25	42.75
PRESSURE		max 105 psi		
TEMPERATURE		max 140°F		
OVERALL SIZE		9.4 inch		

PLASTIC FLOAT TANK WITH COVER

PART NUMBER	TYPE	QTY	LIST PRICE
22.0065	no bulkhead	20	17.25
22.0066	with bulkhead	20	18.75
TEMPERATURE		max 140° F	
CAPACITY		0.8 USG	
OVERALL SIZE		5"x 10"x 8"	
MATERIAL		P. PL. COPOLYMER	

REPAIR KIT FOR FLOAT VALVES

PART NUMBER	DESCRIPTION	QTY	LIST PRICE
41.0003	Repair Kit for Float Valves	20	16.25

GARDEN HOSE ADAPTERS AND CHEMICAL FILTERS

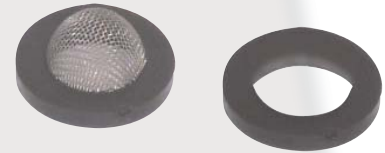
GARDEN HOSE ADAPTERS

PART NUMBER	CONNECTIONS	QTY	LIST PRICE
24.0054	3/4 F GH-3/8 M	20	6.00
24.0055	3/4 F GH-1/2 F	20	6.75
24.0056	3/4 F GH-1/2 M	20	6.75
24.0057	3/4 F GH-1/2 MPT + 1/4 by-pass port	20	18.25
24.0543	3/4 F GH-3/8 MPT + 1/4 by-pass port	20	18.25



GARDEN HOSE WASHERS

PART NUMBER	TYPE	QTY	LIST PRICE
24.0094	with filter	50	0.75
24.0095	without filter	50	0.40



INLET FITTING QUICK CONNECT

PART NUMBER	INLET	QTY	LIST PRICE
24.0049	3/4 F	50	11.50
24.0050	3/4 M	50	11.50



PLASTIC CHEMICAL FILTERS

PART NUMBER	CONNECTION	CHECK VALVE	QTY	LIST PRICE
23.0001	hose barb ø 6-8	NO	100	3.00
23.0002	hose barb ø 6-8	YES	100	5.25
23.0003	hose barb ø 6-8	YES (w/spring)	100	5.75



BRASS CHROME PLATED FILTER

PART NUMBER	CONNECTION	CHECK VALVE	STRAINER	QTY	LIST PRICE
23.0061	hose barb ø 8	yes	400 micron	50	3.25



STAINLESS STEEL + BRASS FILTERS

PART NUMBER	CONNECTION	CHECK VALVE	STRAINER	QTY	LIST PRICE
23.0068	hose barb ø6 mm	yes	400 micron	20	7.50



CHEMICAL FILTER HOSE ASSEMBLY

PART NUMBER	DESCRIPTION	QTY	LIST PRICE
23.0065	4' grey filter w/spring check valve	20	4.25
23.0093	10' filter w/out check valve	20	8.50





"Y" INLET FILTERS

PART NUMBER	IN - OUT	MATERIAL	STRAINER	QTY	LIST PRICE
23.0090	1/2 F - 1/2 F	Brass	400 micron	5	14.25
23.0091	3/4 F - 3/4 F	Brass	400 micron	5	20.50
23.0092	1" F - 1" F	Brass	400 micron	5	30.50
PRESSURE	max 290 psi				



"Y" BRASS FILTERS REPLACEMENT SCREENS

PART NUMBER	DESCRIPTION	LIST PRICE
41.0047	Y filter 1/2" replacement screen	1.95
41.0048	Y filter 3/4" replacement screen	2.60
41.0049	Y filter 1" replacement screen	2.95



WATER IN-LINE ALUMINUM FILTER

PART NUMBER	INLET	OUTLET	QTY	LIST PRICE
23.0019	1/2 F	1/2 M	20	35.50
STRAINER	250 micron			



WATER INLINE PLASTIC FILTER

PART NUMBER	IN - OUT	STRAINER	QTY	LIST PRICE
23.0031	1/2 F - 1/2 F	177 micron	10	26.75
23.0032	3/4 F - 3/4 F	177 micron	10	26.75
41.0043	replacement filter screen			14.00
41.0045	replacement o-ring			6.25
41.0044	replacement clear bowl			12.50

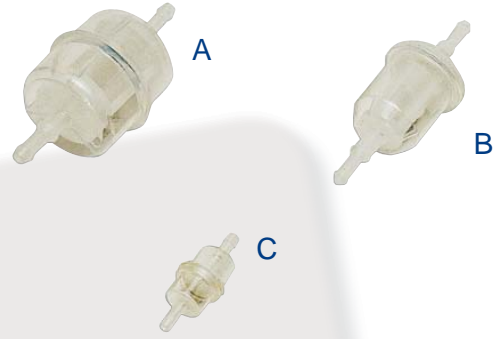
FILTERS



FUEL IN-LINE FILTER

PART NUMBER	CONNECTIONS	BODY	TYPE	STRAINER	QTY	LIST PRICE
23.0023	hose barb ø6-8x2	Plastic	A	120 micron	20	6.75
23.0024	hose barb ø6-8x2	Plastic	B	200 micron	20	5.25
23.0025	hose barb ø5x2	Plastic **	C	300 micron	20	4.35

** to filter water-fuel



FUEL IN-LINE FILTER

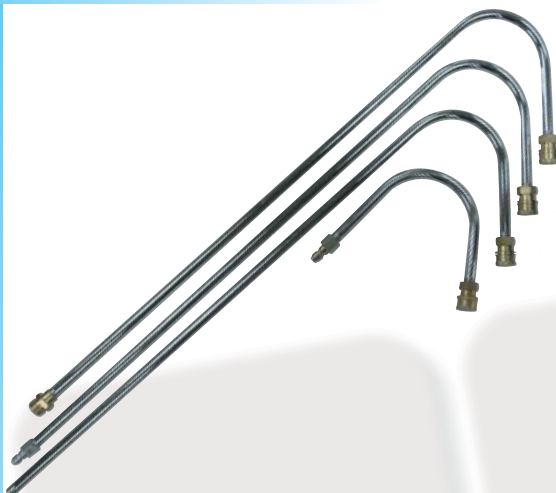
PART NUMBER	DESCRIPTION	LIST PRICE
23.0095	Replacement Aluminum Housing 1/4"	5.75
23.0101	Replacement Aluminum Housing 3/8"	5.75
23.0096	Replacement Seal	5.25
23.0097	Filter Element 100 micron	12.50
23.0098	Replacement Bowl	4.50
23.0099	1/4NPT F-1/4NPT F Aluminum-S.Steel 100 micron	28.50
23.0100	3/8NPT F-3/8NPT F Aluminum-S.Steel 100 micron	28.50



FUEL IN-LINE FILTER

PART NUMBER	CONNECTIONS	DIMENSIONE	QTY	LIST PRICE
23.0028	1/4 F - 1/4 F	2.5"X3.0"	20	30.50
23.0029	1/4 F - 1/4 F	3.0"X3.5"	20	69.75
23.0030	1/4 F - 1/4 F	3.0"X3.5" w/drain valve	20	74.25
41.0041	Fuel Filter Replacement Cartridge Small 15Mesh		20	20.50
41.0042	Fuel Filter Replacement Cartridge Large 15 Mesh		20	34.25
23.0033	Filter Cap 3/4 F-3/4 F		20	11.50
23.0034	Filter Cap 1/2 F-1/2 F		20	11.75





GUTTER CLEANING ATTACHMENT

PART NUMBER	LENGTH	INLET	OUTLET	QTY	LIST PRICE
22.0110	6"	1/4QC Plug	1/4QC Coupler	10	13.75
22.0334	28"	1/4 MPT	1/4QC Coupler	10	24.00
22.0339	28"	1/4QC Plated Steel Plug	1/4QC Brass Coupler	10	36.00
22.0340	28"	M22 Brass Plug	1/4QC Brass Coupler	10	38.25



PAINTED HOSE REELS

PART NUMBER	HOSE max	IN-OUT	HEIGHT x WIDTH	QTY	LIST PRICE
27.0006	50' 3/8"	3/8 M - 3/8 F	12.5" x 11.5"	1	136.25
27.0004	100' 3/8"	3/8 M - 3/8 F	12.5" x 15.5"	1	166.50
27.0005	150' 3/8"	3/8 M - 3/8 F	16.5" x 15.5"	1	204.25
27.0007	200' 3/8"	3/8 M - 3/8 F	16.5" x 21"	1	241.25

PRESSURE max 4000 psi
TEMPERATURE max 140°F

HOSE REEL REPLACEMENT PARTS

PART NUMBER	DESCRIPTION	QTY	LIST PRICE
41.0087	Swivel 50' & 100' Hose Reel 1/2 M-3/8 F	5	40.75
41.0088	Swivel 150' & 200' Hose Reel 3/4M-3/8 F-F	5	44.50
41.0086	Universal Hose Reel Replacement Handle Kit	5	11.50
39.0048	Swivel replacement o-ring	5	1.00



JUMPER HOSE / WHIP LINES 4000 PSI

PART NUMBER	LENGTH	QTY	LIST PRICE
30.0026	3/8" x 2'	5	33.25
30.0027	3/8" x 3'	5	36.00
30.0028	3/8" x 4'	5	38.50
30.0029	3/8" x 5'	5	41.25
30.0030	3/8" x 6'	5	43.75
30.0031	3/8" x 8'	5	49.25
30.0032	3/8" x 10'	5	53.00

JUMPER HOSE / WHIP LINES 5800 PSI

PART NUMBER	LENGTH	QTY	LIST PRICE
30.0034	3/8" x 2'	5	34.75
30.0035	3/8" x 3'	5	38.25
30.0036	3/8" x 4'	5	41.25
30.0037	3/8" x 5'	5	44.25
30.0038	3/8" x 6'	5	47.50
30.0039	3/8" x 8'	5	53.00
30.0040	3/8" x 10'	5	62.00



FRAME RUBBER FOOT

PART NUMBER	DIAMETER	HEIGHT	QTY	LIST PRICE
22.0105	2.5"	1"	50	2.50

NOZZLE HOLDER GROMMET

PART NUMBER	MATERIAL	QTY	LIST PRICE
22.0102	RUBBER	100	0.25

ACCESSORIES



PRESSURE GAUGES

PART NUMBER	TYPE	SCALE	LIST PRICE
1/4" M BOTTOM MOUNT			
22.0111	2.5" DIAMETER S.S.	2300psi	20.00
22.0112	2.5" DIAMETER S.S.	3600psi	20.00
22.0113	2.5" DIAMETER S.S.	4500psi	20.00
22.0114	2.5" DIAMETER S.S.	6000psi	20.00



GAUGE FITTINGS

PART NUMBER	CONNECTION	TYPE	LIST PRICE
24.0100	3/8" QC - 1/4" PORT	Brass with SS Collar	13.75
24.0101	3/8" QC - 1/4" PORT	Stainless Steel	17.25
43.0038	Brass w/ SS Collar QC Gauge Kit 2,300 PSI		33.75
43.0039	Pressure Test QC Gauge Kit 6,000 PSI		37.25



PULSATION DAMPENERS

PART NUMBER	VOLUME	CONNECTION	MAX PRESSURE	LIST PRICE
22.0096	0.1 liter	3/8 F	3100psi	185.75
22.0097	0.35 liter	1/2 F	3100psi	201.50
22.0098*	0.35 liter	3/8 F	3100psi	201.50
PRECHARGE PRESSURE		max 580 psi		
TEMPERATURE		max 180° F		



THREADLOCK

PART NUMBER	TYPE	CAPACITY	QTY	LIST PRICE
22.0094	MEDIUM 54-03	250 ml plastic btl	5	124.00
22.0095	STRONG 83-54	250 ml plastic btl	5	124.00
22.0335	MEDIUM 54-03	10 ml plastic btl	5	17.50
22.0336	STRONG 83-54	10 ml plastic btl	5	17.50
22.0337	MEDIUM 54-03	50 ml plastic btl	5	63.00
22.0338	STRONG 83-54	50 ml plastic btl	5	63.00



TEFLON TAPE

PART NUMBER	TYPE	QTY	LIST PRICE
22.0109	1/2" x 520" roll x 0,05 mm thickness	200	1.00
22.0290	1/2" x 520" roll x 0,1 mm thickness	200	1.25



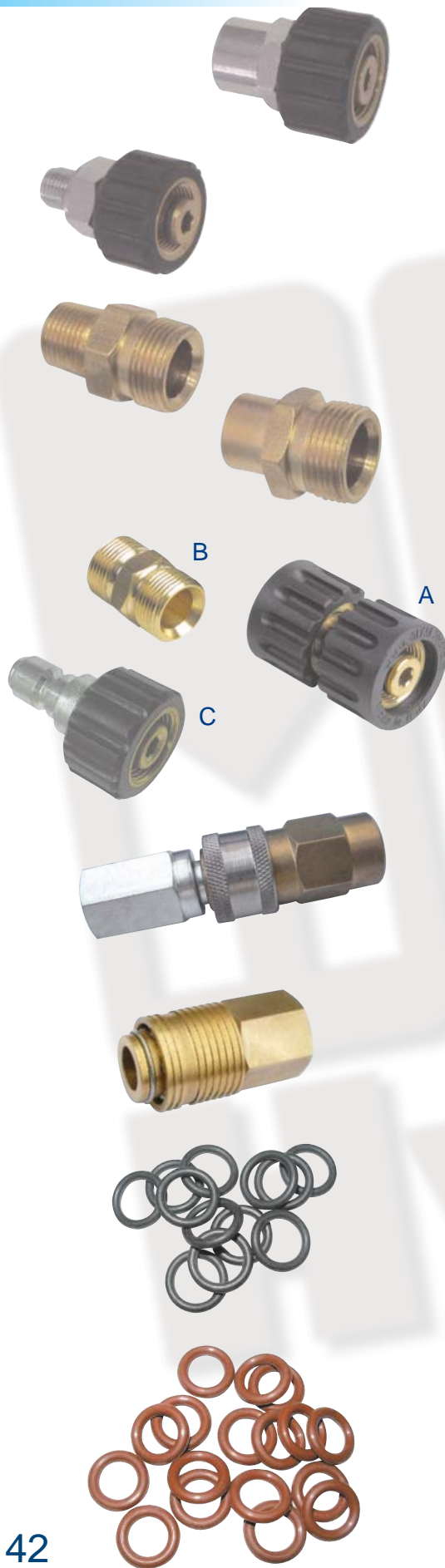
MT8 REPLACEMENT VENTED GRIP

PART NUMBER	TYPE	LIST PRICE
41.0089	MT8 Black Replacement Vented Grip	11.50
41.0383	MT8 Blue Replacement Vented Grip w/out Pipe	11.50



* Indicates Non-Stock Item. Available by Special Order Only.

SCREW COUPLERS AND CONNECTIONS



TWIST SEAL COUPLERS

PART NUMBER	IN-OUT	QTY	LIST PRICE
24.0085	M22x1.5 F - 1/4 F - 14mm	25	6.25
24.0086	M22x1.5 F - 1/4 M - 14mm	25	6.25
24.0087	M22x1.5 F - 3/8 F - 14mm	25	6.25
24.0088	M22x1.5 F - 3/8 M - 14mm	25	6.25

PRESSURE max 4000 psi

TWIST SEAL PLUGS

PART NUMBER	IN-OUT	QTY	LIST PRICE
24.0090	M22x1.5 M - 1/4 F - 14mm	25	4.00
24.0091	M22x1.5 M - 1/4 M - 14mm	25	4.00
24.0092	M22x1.5 M - 3/8 F - 14mm	25	4.00
24.0093	M22x1.5 M - 3/8 M - 14mm	25	4.00

PRESSURE max 4000 psi

SCREW ADAPTERS

PART NUMBER	IN-OUT	TYPE	QTY	LIST PRICE
24.0456	M22x1.5 F - M22x1.5 F Coupler - 14mm	A	25	9.00
24.0024	M22x1.5 M - M22x1.5 M Plug - 14mm	B	25	4.75
24.0446	M22x1.5 M - 3/8QC Plug - 14mm	C	25	8.25

PRESSURE max 4100 psi

WAND SAVER QUICK COUPLERS & PLUGS

PART NUMBER	INLET	MATERIAL	TYPE	QTY	LIST PRICE
24.0098	1/4 F	Brass w/S.S. Collar	coupler	25	8.50
24.0099	1/4 F	Stainless Steel	coupler	25	13.75
24.0102	1/4 F	ZP Steel	plug	25	3.00
24.0103	1/4 F	Stainless Steel	plug	25	7.25

SNAP-OPEN QUICK COUPLERS

PART NUMBER	INLET	MATERIAL	QTY	LIST PRICE
24.0096	1/4 F	Brass	25	10.50
24.0097	3/8 F	Brass	25	14.50

BUNA O-RING PACKS

PART NUMBER	DIMENSION	PACK	LIST PRICE
39.0024	1/4 QC Coupler	25	6.75
39.0025	1/4 QC Coupler	100	23.50
39.0026	3/8 QC Coupler	25	7.50
39.0027	3/8 QC Coupler	100	25.25

VITON O-RING PACKS

PART NUMBER	DIMENSION	PACK	LIST PRICE
39.0028	1/4 QC Coupler	25	20.00
39.0029	1/4 QC Coupler	100	68.75
39.0030	3/8 QC Coupler	25	22.25
39.0031	3/8 QC Coupler	100	80.00

QUICK COUPLERS AND CONNECTIONS



BRASS COUPLERS

PART NUMBER	INLET	PRESSURE	QTY	LIST PRICE
24.0067	1/4 F	5500 psi	25	6.75
24.0068	1/4 M	5500 psi	25	6.75
24.0069	3/8 F	4200 psi	25	8.25
24.0070	3/8 M	4200 psi	25	8.25
24.0071	1/2 F	3600 psi	25	14.75
24.0072	1/2 M	3600 psi	25	14.75
24.0449	3/4 GHT F	200 psi	25	6.75
24.0447	3/8 QC-M22 M	4000 psi	25	10.00
24.0448	3/8 QC-M22 F	4000 psi	25	12.50

STAINLESS STEEL COUPLERS

PART NUMBER	INLET	PRESSURE	QTY	LIST PRICE
24.0061	1/4 F	7500 psi	25	9.50
24.0062	1/4 M	7500 psi	25	9.50
24.0063	3/8 F	6300 psi	25	14.25
24.0064	3/8 M	6300 psi	25	14.25
24.0065	1/2 F	3600 psi	25	18.75
24.0066	1/2 M	3600 psi	25	18.75

ZINC COATED STEEL PLUGS

PART NUMBER	INLET	PRESSURE	QTY	LIST PRICE
24.0073	1/4 F	5000 psi	25	1.25
24.0074	1/4 M	5000 psi	25	1.25
24.0075	3/8 F	4200 psi	25	1.50
24.0076	3/8 M	4200 psi	25	1.50
24.0077	1/2 F	3600 psi	25	2.50
24.0078	1/2 M	3600 psi	25	2.50

STAINLESS STEEL PLUGS

PART NUMBER	INLET	PRESSURE	QTY	LIST PRICE
24.0079	1/4 F	5000 psi	25	3.75
24.0080	1/4 M	5000 psi	25	3.75
24.0081	3/8 F	4200 psi	25	5.25
24.0082	3/8 M	4200 psi	25	5.25
24.0083	1/2 F	3600 psi	25	7.25
24.0084	1/2 M	3600 psi	25	7.25

BRASS PLUGS

PART NUMBER	INLET	PRESSURE	QTY	LIST PRICE
24.0440	1/4 F	2000 psi	25	3.25
24.0441	1/4 M	2000 psi	25	3.25
24.0442	3/8 F	1600 psi	25	4.75
24.0443	3/8 M	1600 psi	25	4.75
24.0444	1/2 F	1200 psi	25	6.50
24.0445	1/2 M	1200 psi	25	6.50
24.0450	1/2 GHT M	2000 psi	25	4.00





CLEAR NYLONBRAIDED TUBING

PART NUMBER	ID x Wall thickness	ROLL	LIST PRICE
31.0001	1/4" x 2,5mm	100'	50.25
31.0002	1/4" x 2,5mm	300'	151.75
31.0003	3/8" x 2,9mm	100'	79.25
31.0004	3/8" x 2,9mm	300'	235.50
31.0005	1/2" x 3,0mm	100'	94.00
31.0006	1/2" x 3,0mm	300'	277.00
31.0007	5/8" x 3,5mm	50'	73.50
31.0008	5/8" x 3,5mm	100'	142.25
31.0009	3/4" x 3,5mm	50'	84.75
31.0010	3/4" x 3,5mm	100'	174.25

CLEAR VINYL TUBING

PART NUMBER	ID x Wall thickness	ROLL	LIST PRICE
31.0011	1/4" x 1,5mm	100'	24.25



REPLACEMENT TIRES

PART NUMBER	DESCRIPTION	LIST PRICE
22.0083	10" RUBBER WHEEL FOAM FILLED W/METAL BEARING 3/4"	38.75
22.0084	10" RUBBER WHEEL FOAM FILLED W/METAL BEARING 5/8"	38.75
22.0265	10" RUBBER WHEEL FOAM FILLED W/NYLON BUSHING 3/4"	38.00
22.0266	10" RUBBER WHEEL FOAM FILLED W/NYLON BUSHING 5/8"	38.00
22.0264	10" RUBBER WHEEL FOAM FILLED W/OUT BUSHING OR BEARING	36.75
22.0276	10" RUBBER WHEEL TUBE TYPE W/METAL BEARING 3/4"	24.25
22.0277	10" RUBBER WHEEL TUBE TYPE W/METAL BEARING 5/8"	24.25
22.0107	10" RUBBER WHEEL TUBE TYPE W/NYLON BUSHING 3/4"	23.50
22.0108	10" RUBBER WHEEL TUBE TYPE W/NYLON BUSHING 5/8"	23.50
22.0275	10" RUBBER WHEEL TUBE TYPE W/OUT BUSHING OR BEARING	22.25
22.0082	13" RUBBER WHEEL FOAM FILLED W/METAL BEARING 3/4"	64.75
22.0268	13" RUBBER WHEEL FOAM FILLED W/METAL BEARING 5/8"	64.75
22.0270	13" RUBBER WHEEL FOAM FILLED W/NYLON BUSHING 3/4"	64.00
22.0269	13" RUBBER WHEEL FOAM FILLED W/NYLON BUSHING 5/8"	64.00
22.0267	13" RUBBER WHEEL FOAM FILLED W/OUT BUSHING OR BEARING	62.75
22.0272	13" RUBBER WHEEL TUBE TYPE W/METAL BEARING 3/4"	35.75
22.0273	13" RUBBER WHEEL TUBE TYPE W/METAL BEARING 5/8"	35.75
22.0106	13" RUBBER WHEEL TUBE TYPE W/NYLON BUSHING 3/4"	35.00
22.0274	13" RUBBER WHEEL TUBE TYPE W/NYLON BUSHING 5/8"	35.00
22.0271	13" RUBBER WHEEL TUBE TYPE W/OUT BUSHING OR BEARING	33.75
22.0085	REPLACEMENT TIRE NYLON BUSHING 3/4"	1.25
22.0086	REPLACEMENT TIRE NYLON BUSHING 5/8"	1.25
22.0087	REPLACEMENT TIRE BALL BEARING 3/4"	2.00
22.0088	REPLACEMENT TIRE BALL BEARING 5/8"	2.00

ACCESSORIES



PROFESSIONAL FOAM LANCE ADJUSTABLE

PART NUMBER	INLET	NOZZLE	FLOW	BOTTLE	QTY	LIST PRICE
14.0263	1/4 F	ø 1.25 mm	5.3 gpm	10 liter	10	133.75
37.0253	replacement bottle 1 litre				10	9.50
41.0338	suction tube				10	15.75



WATER BROOMS

PART NUMBER	TYPE	QTY	LIST PRICE
22.0100	12" - 3 nozzles	5	57.50
22.0101	16" - 4 nozzles	5	69.25
17.0137	Nozzle 1/4 MEG SS 65 DEG 2.0	1	12.50

WATER BROOMS with ACCESORIES

PART NUMBER	TYPE	LIST PRICE
22.0402	water broom 3 nozzles installed	83.75
22.0403	water broom 3 nozzles installed 1/4 QC inlet	85.00
22.0404	water broom 3 nozzles installed M22 Male inlet	86.75
22.0405	water broom 4 nozzles installed	94.75
22.0406	water broom 4 nozzles installed 1/4 QC inlet	96.00
22.0407	water broom 4 nozzles installed M22 Male inlet	97.75
22.0408	water Broom 4 Nozzles installed 48" vented lance M407 w/ QC Inlet	159.25

AXIAL VIBRATION DAMPERS

PART NUMBER	DESCRIPTION	QTY	LIST PRICE
22.0362	2X M8 Male Thread 29MM Height	5	7.75
22.0363	2xM10 Male Thread - 35mm Height	1	7.75

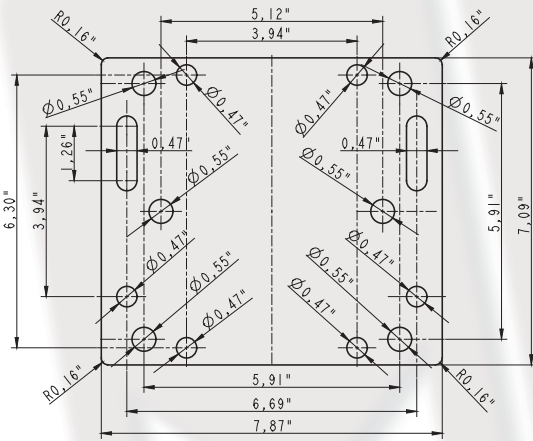
WASHER CART

PART NUMBER	TYPE	QTY	LIST PRICE
27.0062	deluxe pressure wash cart (w/o tires) up to 13.0 hp	5	251.25
27.0063	universal small frame pressure wash cart (up to 6.5 hp) w/10" pneumatic tires	5	225.00
41.0324	hose reel mounting kit for deluxe cart (up to 100" hose reel)	5	87.50



* Indicates Non-Stock Item. Available by Special Order Only.

CAR WASH CEILING BOOMS STAINLESS STEEL

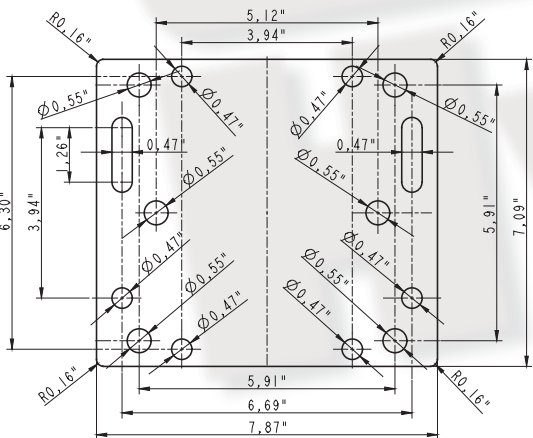


CEILING rigid BOOMS

PART NUMBER	TYPE	CONNECTION	LENGTH	LIST PRICE
25.0003	A - s.s.pipe	1/4 F - 1/4 M	63"	1460.00
25.0005	A - s.s.pipe	1/4 F - 1/4 M	69"	1470.00
25.0007	A - s.s.pipe	1/4 F - 1/4 M	79"	1635.00
25.0004	A - s.s.pipe	1/4 F - 1/4 M	63"	1460.00
25.0006	A - s.s.pipe	1/4 F - 1/4 M	69"	1470.00
25.0008	A - s.s.pipe	1/4 F - 1/4 M	79"	1635.00
25.0123	B - rubber hose	1/4 F - 1/4 M	63"	1460.00
25.0124	B - rubber hose	1/4 F - 1/4 M	69"	1460.00
25.0125	B - rubber hose	1/4 F - 1/4 M	79"	1635.00
25.0126	B - rubber hose	1/4 F - 1/4 M	63"	1460.00
25.0127	B - rubber hose	1/4 F - 1/4 M	69"	1460.00
25.0128	B - rubber hose	1/4 F - 1/4 M	79"	1635.00

PRESSURE max 3100 psi
TEMPERATURE max 250°F
ROTATION ANGLE 360°

UNIVERSAL PLATE



CEILING FLEXIBLE (2 SPRINGS) BOOMS

PART NUMBER	CONNECTIONS	Length	LIST PRICE
25.0009	1/4 F - 1/4 M	63"	1460.00
25.0011	1/4 F - 1/4 M	69"	1460.00
25.0013	1/4 F - 1/4 M	79"	1635.00
25.0015	1/4 F - 1/4 M	99"	1835.00
25.0017	1/4 F - 1/4 M	118"	2050.00
25.0010	1/4 F - 3/8 M	63"	1460.00
25.0012	1/4 F - 3/8 M	69"	1460.00
25.0014	1/4 F - 3/8 M	79"	1635.00
25.0016	1/4 F - 3/8 M	99"	1835.00
25.0018	1/4 F - 3/8 M	118"	2050.00

PRESSURE max 3100 psi
TEMPERATURE max 250°F
ROTATION ANGLE 360°

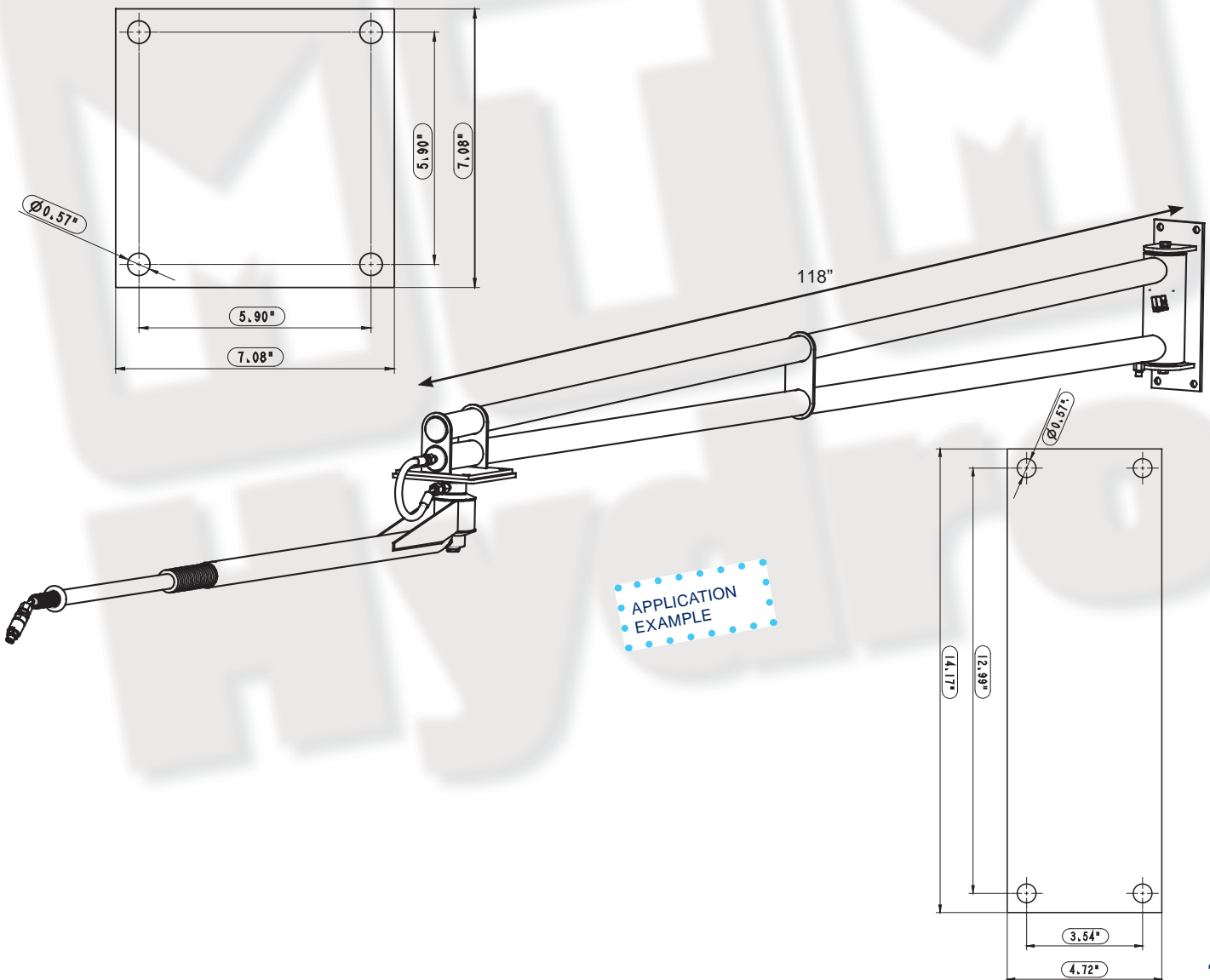
UNIVERSAL PLATE

CAR WASH WALL EXTENSION STAINLESS STEEL

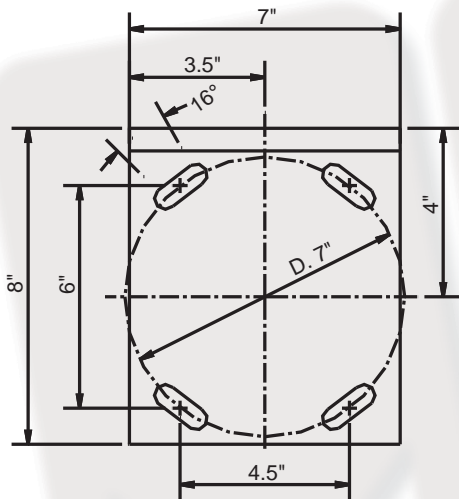


WALL BOOM EXTENSION for CEILING BOOMS

PART NUMBER	CONNECTIONS	Length	LIST PRICE
25.0035	1/4 M - 1/4 m	118"	3635.00
PRESSURE	max 3100 psi		
TEMPERATURE	max 250°F		
ROTATION ANGLE	180°		



CAR WASH WALL BOOMS STAINLESS STEEL

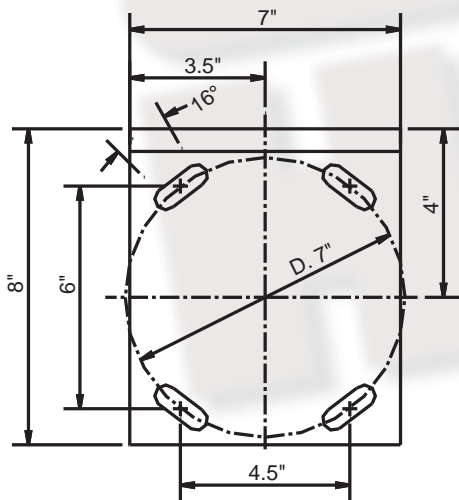


RIGID WALL BOOMS

PART NUMBER	TYPE	CONNECTION	LENGTH	LIST PRICE
25.0019	A - s.s.pipe	1/4 F - 1/4 M	63"	1645.00
25.0021	A - s.s.pipe	1/4 F - 1/4 M	69"	1650.00
25.0023	A - s.s.pipe	1/4 F - 1/4 M	79"	1820.00
25.0020	A - s.s.pipe	1/4 F - 3/8 M	63"	1645.00
25.0022	A - s.s.pipe	1/4 F - 3/8 M	69"	1650.00
25.0024	A - s.s.pipe	1/4 F - 3/8 M	79"	1820.00
25.0129	B - rubber hose	1/4 F - 1/4 M	63"	1460.00
25.0130	B - rubber hose	1/4 F - 1/4 M	69"	1460.00
25.0131	B - rubber hose	1/4 F - 1/4 M	79"	1635.00
25.0132	B - rubber hose	1/4 F - 3/8 M	63"	1460.00
25.0133	B - rubber hose	1/4 F - 3/8 M	69"	1460.00
25.0134	B - rubber hose	1/4 F - 3/8 M	79"	1635.00

PRESSURE max 3100 psi
TEMPERATURE max 250°F
ROTATION ANGLE 360°

UNIVERSAL PLATE



FLEXIBLE (2 SPRINGS) WALL BOOMS

PART NUMBER	CONNECTIONS	LENGTH	LIST PRICE
25.0025	1/4 F - 1/4 M	63"	1645.00
25.0027	1/4 F - 1/4 M	69"	1650.00
25.0029	1/4 F - 1/4 M	79"	1870.00
25.0031	1/4 F - 1/4 M	99"	2020.00
25.0033	1/4 F - 1/4 M	118"	2235.00
25.0026	1/4 F - 3/8 M	63"	1645.00
25.0028	1/4 F - 3/8 M	69"	1650.00
25.0030	1/4 F - 3/8 M	79"	1870.00
25.0032	1/4 F - 3/8 M	99"	2020.00
25.0034	1/4 F - 3/8 M	118"	2235.00

PRESSURE MAX 3100 PSI
TEMPERATURE MAX 250°F
ROTATION ANGLE 180°

UNIVERSAL PLATE

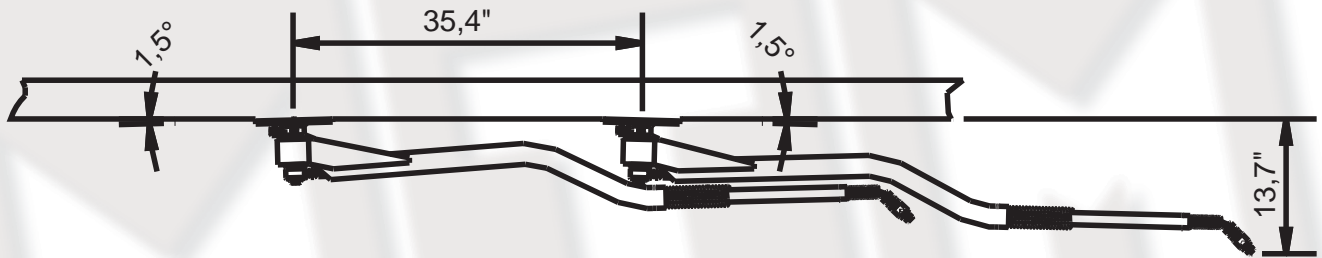
CAR WASH CEILING "Z" BOOM STAINLESS STEEL



CEILING FLEXIBLE "Z" BOOM (2 SPRINGS)

PART NUMBER	CONNECTIONS	LENGTH	QTY	LIST PRICE
25.0047	1/4 F - 1/4 M	61"	2	1870.00
25.0048	1/4 F - 3/8 M	61"	2	1870.00

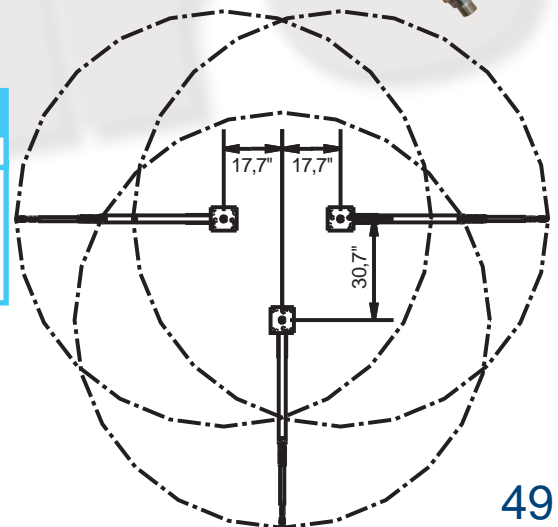
PRESSURE max 3100 psi
 TEMPERATURE max 250°F
 ROTATION ANGLE 360°



CEILING RIGID "Z" BOOM

PART NUMBER	CONNECTIONS	LENGTH	QTY	LIST PRICE
25.0049	1/4 F - 1/4 M	61"	2	1770.00
25.0050	1/4 F - 3/8 M	61"	2	1770.00

PRESSURE max 3100 psi
 TEMPERATURE max 250°F
 ROTATION ANGLE 360°

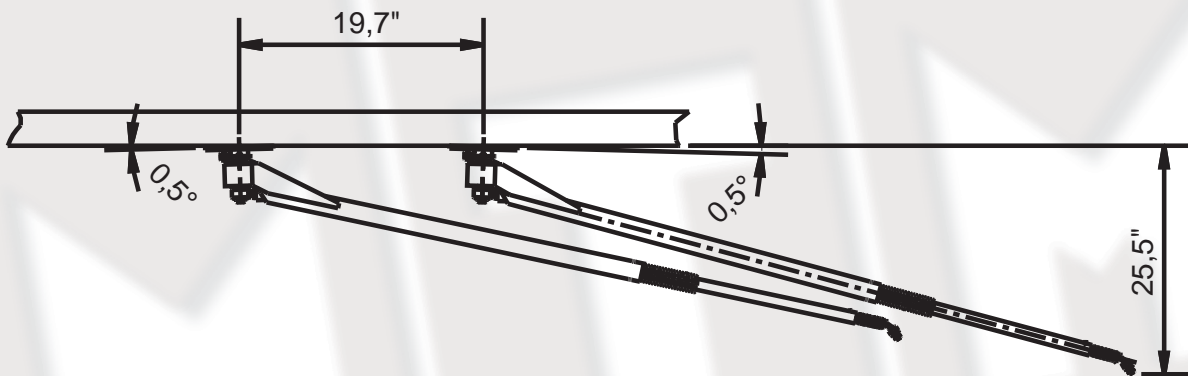


CAR WASH CEILING S.STEEL BOOMS SPECIAL VERSIONS



CEILING INCLINED FLEXIBLE (2 SPRINGS) BOOMS

PART NUMBER	CONNECTIONS	LENGTH	QTY	LIST PRICE
25.0051	1/4 F - 1/4 M	73"	2	1670.00
25.0052	1/4 F - 3/8 M	73"	2	1670.00
PRESSURE	max 3100 psi			
TEMPERATURE	max 250°F			
ROTATION ANGLE	360°			



CEILING RIGID SHORT BOOMS

PART NUMBER	CONNECTIONS	LENGTH	QTY	LIST PRICE
25.0001	1/4 F - 1/4 M	47"	2	1385.00
25.0002	1/4 F - 3/8 M	47"	2	1385.00
PRESSURE	max 3100 psi			
TEMPERATURE	max 250°F			
ROTATION ANGLE	360°			

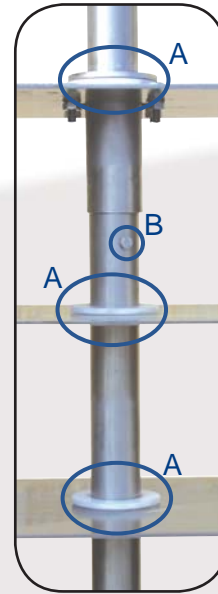
CAR WASH VERTICAL BOOMS STAINLESS STEEL



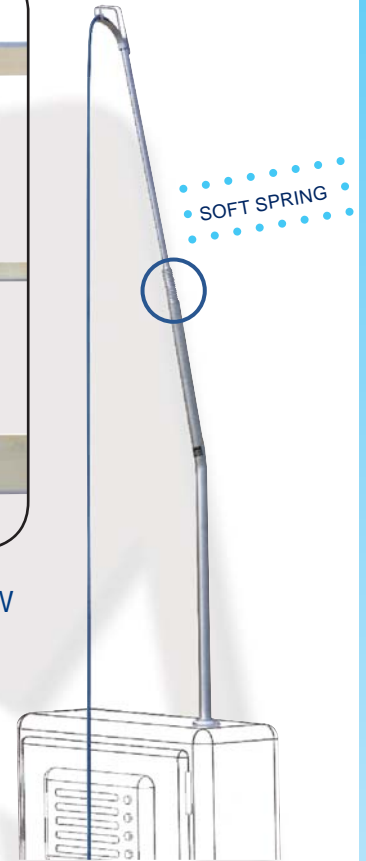
FLEXIBLE VERTICAL BOOM WITH SWIVEL

PART NUMBER	LENGTH	LIST PRICE
25.0054	118" (+ 39" inside)	1265.00
ROTATION ANGLE 360°		
H.P. HOSE NOT INCLUDED		

A: TEFLON BEARINGS
B: STOPPING BOLT



INSIDE VIEW

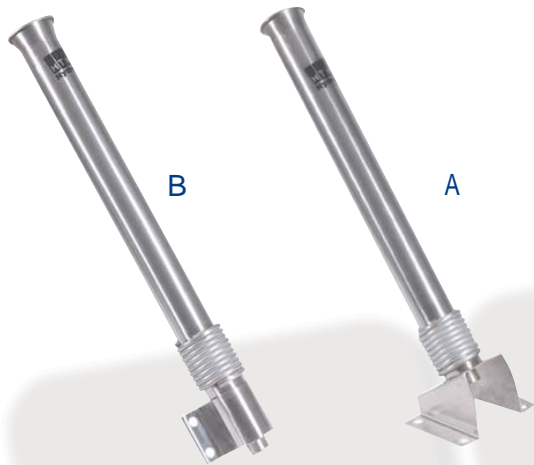


FLEXIBLE VERTICAL BOOM - side HANG

PART NUMBER	LENGTH	LIST PRICE
25.0055	118"	917.00
FIXED ROTATION ANGLE		
H.P. HOSE NOT INCLUDED		

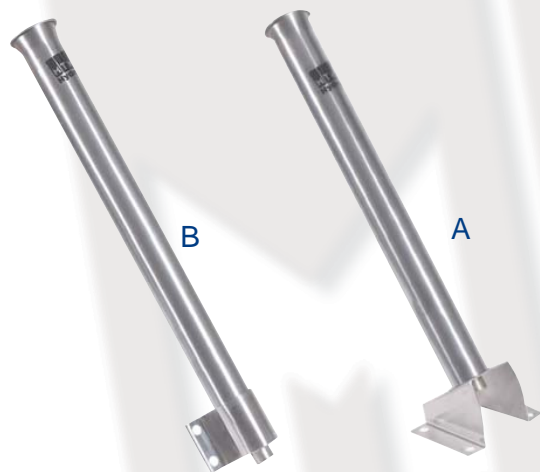


STAINLESS STEEL LANCE HOLDERS



"FLEXIBLE"

PART NUMBER	TYPE	LENGTH	LIST PRICE
26.0022	floor mount A	25,5"	376.50
26.0023	wall mount B	25,5"	376.50



"RIGID"

PART NUMBER	TYPE	LENGTH	LIST PRICE
26.0024	floor mount A	25,5"	351.50
26.0025	wall mount B	25,5"	351.50



BRUSH-LANCE HOLDER

PART NUMBER	TYPE	DIMENSIONS	LIST PRICE
26.0026	floor and wall mount	27" x 12"	650.00

HIGH PRESSURE SWIVELS



NICKEL PLATED BRASS SWIVELS W/STAINLESS STEEL STEM

PART NUMBER	INLET	OUTLET	QTY	LIST PRICE
26.0001	1/4 F	1/4 m	10	150.25
26.0002	1/4 F	3/8 m	10	150.25
26.0003	3/8 F	3/8 m	10	150.25
26.0004	3/8 F	1/4 m	10	150.25
PRESSURE	max 4100 psi			
FLOW	max 10,5 USgpm			
TEMPERATURE	max 250°F			

NICKEL PLATED BRASS SWIVELS W/STAINLESS STEEL STEM 90°

PART NUMBER	INLET	OUTLET	QTY	LIST PRICE
26.0005	1/4 M	1/4 F	10	128.50
26.0006	3/8 M	1/4 F	10	128.50
26.0007	3/8 M	3/8 F	10	128.50
26.0008	1/4 M	3/8 F	10	128.50
PRESSURE	max 4100 psi			
FLOW	max 10,5 USgpm			
TEMPERATURE	max 250°F			

"SL" SWIVEL COUPLINGS

PART NUMBER	INLET	OUTLET	QTY	LIST PRICE
22.0072	3/8 F	1/4 F	20	33.25
22.0073	3/8 F	1/4 M	20	33.25
22.0074	3/8 F	3/8 F	20	33.25
22.0075	3/8 F	3/8 M	20	33.25
PRESSURE	max 4100 psi			
FLOW	max 10,5 USgpm			
TEMPERATURE	max 300°F			

REPAIR KIT CW 90DEG SWIVEL ALL SIZES

PART NUMBER	DESCRIPTION	LIST PRICE
41.0023	Repair Kit CW 90deg Swivel All Sizes	16.25

SWIVEL COUPLINGS

PART NUMBER	INLET	MATERIAL	QTY	LIST PRICE
22.0124	3/8 F - 3/8 M	Straight	20	13.75
PRESSURE	max 3600 psi			
FLOW	max 8 USgpm			





CAR WASH BRUSH - ONE PIECE

PART NUMBER	BRUSH TYPE	INLET	QTY	LIST PRICE
26.0013	Natural Hair Bristles 2,4" long	1/4 F	50	93.00
26.0014	Natural Hair Bristles 3,6" long	1/4 F	40	130.25
26.0015	Natural Hair Bristles 2,4" long	1/2 F	50	93.00
26.0016	Natural Hair Bristles 3,6" long	1/2 F	40	130.25



ROTATING BRUSH "TS200"

PART NUMBER	BRUSH TYPE	NOZZLE	QTY	LIST PRICE
26.0009	White Nylon Bristles	3 mm	5	71.25
26.0010	Horse Hair Bristles	3 mm	5	85.00
INLET	1/4 Male			
PRESSURE	max 435 psi			
FLOW	max 8 USgpm			
TEMPERATURE	max 140°F			



INSULATED CAR WASH LANCE

PART NUMBER	LENGTH	PIPE TYPE	OUTLET	Q.TY	LIST PRICE
12.0050	36"	stainless steel	1/4 F	30	56.00
PRESSURE	max 4100 psi				
FLOW	max 10.5 USgpm				
TEMPERATURE	max 300°F				



BENDABLE CAR WASH LANCE

PART NUMBER	LENGTH	PIPE TYPE	IN-OUT	QTY	LIST PRICE
12.0059	18"	zinc plated steel	1/4 M - 1/4 M	25	20.50
12.0060	18"	zinc plated steel	1/4 M - 1/8 F	25	21.25
12.0061	18"	stainless steel	1/4 M - 1/4 M	25	36.75
12.0062	18"	stainless steel	1/4 M - 1/8 F	25	36.75
PRESSURE	max 2500 psi				
FLOW	max 8 USgpm				
TEMPERATURE	max 195°F				



PLASTIC BRACKETS FOR LANCE

PART NUMBER	TYPE	QTY	LIST PRICE
22.0092	for "MT3" lances	30	4.35
22.0093	for "MT2" lances	30	4.35

TELESCOPING LANCE ASSEMBLY



18' DELUXE TELESCOPING LANCE ASSEMBLY

PART NUMBER	DESCRIPTION	QTY	LIST PRICE
27.0080	18' Deluxe Telescoping lance Assembly 4000psi	50	314.25
TEMPERATURE RATING OF 250° F 5/16" HOSE			

24' DELUXE TELESCOPING LANCE ASSEMBLY

PART NUMBER	DESCRIPTION	QTY	LIST PRICE
27.0082	24' Deluxe Telescoping lance Assembly 4000psi	50	387.50
TEMPERATURE RATING OF 250° F 5/16" HOSE			

TELESCOPING LANCE ASSEMBLY AND REPLACEMENT PARTS

PART NUMBER	DESCRIPTION	LIST PRICE
24.0500	Complete Ring Nut M22X1.5F for Telescoping Lance	21.00
41.0386	Tighten Knobs Set for Telescoping Lance	14.75
41.0385	Complete Gun Assembly for Telescoping Wand	96.75

GUTTER CLEANING ATTACHMENT

PART NUMBER	INLET	OUTLET	QTY	LIST PRICE
22.0110	1/4 QC Plug	1/4 QC Coupler	10	13.75
22.0334	1/4 MPT	1/4 QC Coupler	10	24.00
22.0339	1/4 QC Plated Steel Plug	1/4 QC Brass Coupler	10	36.00
22.0340	M22 Brass Plug	1/4 QC Brass Coupler	10	38.25

BELT KIT SUPPORT FOR WANDS

PART NUMBER	DESCRIPTION	QTY	LIST PRICE
27.0083	Belt Kit Support for Wands	50	42.00



A

Accumulators	41
Acid Injectors	35
Adjustable Thermostat	10
Aluminum Spray Lances	5
Axial Vibration Dampers	45

B

Ball Valves	34
Bendable Lances	54
Black Hoses	12,13,14
Booms	46,47,48,49,50,51
Brushes	54
Brush Holder	52
Buna O-Rings	42

C

Car Wash Brush	54
Car Wash Ceiling Booms	46,47,49,50
Car Wash Lances	54
Carts - Power Wash	45
Check Valves	32
Chem Nozzles	17
Chemical Filters	37
Chemical Injectors	35
Chemical Metering Valves	32
Couplers, QC	43
Couplers, Twist	42

D

Dual Lances	7,8
Dual Lance Repair Kits	7
Drum Pumps	23

E

Easy Start Valves	32
Engines	33
Extension Lances	5

F

Filters, Chemical	37
Filters, Fuel	39
Filters, Water	38
Float Tanks	36
Float Valves	36
Flow Switches	10
Foam Lance	45
Foam Filled Tires	44
Foam Jet Kits	22
Freight Saver Lance Coupling	5

G

Garden Hose Fittings	37
Garden Hose Washers	37
Gas Engines	33
Grommets	40
Gauges	41
Gauge Fittings	41
Guns	2,3,4
Guns with Extensions	4
Gutter Cleaners	40,55

H

High Pressure Filters	18
High - Low Nozzles	24
High - Low Replacement Orifice	11
Hobby Hose	14
Hose Reels	40
Hose Reel Swivels	40
Hose Washers	37
Hoses	12,13,14,15,24

I

Injectors	35
Inlet Filters	38
Inlet Fitting Quick Connect	37
Inlet Plug	8
Inline Fuel Filters	39

J

Jetter Nozzles	25
Jumper Hose	15,40
Jetter Hoses	24

K

Karcher Style Tip Retainer	8
Karcher Type Lances	8
KEW Style Lances	8
KEW Style Spray Guns	3

L

Lances	5,6,7,8,45,54
Lance Extensions	5
Lance Freight Saver	5
Lance Holders	52
Lance Repair Kits	7
Lance Socket	5

M

MEG Nozzles	16,17
Metering Valves	32
Molded Grip Lances	6,54
Mounting Blocks	10,26

N

Non-Marking Hose	12,13,14
Non-Molded Lances	5
Nozzle Cleaners	17
Nozzle Grommet	40
Nozzles	11,16,17,18,19,20,21,24,25
Nozzle Protectors	6,17,25
Nozzle Selection Chart	17
Nylon Braided Tubing	44

O

Open Spray Guns	2
O-Rings	42
Orifice, Threaded	24

P

Plugs	42,43
Poly Braid Tubing	44
Pressure Gauge Fittings	41
Pressure Gauges	41
Pressure Relief Valves	31
Pressure Switches	9
Pressure Switches - Repair Kits	9
Pressure Washer Carts	45
Pulsation Dampeners	41

Q

Quick Connects	43
----------------	----

R

Relief Valves	31
Rollover Nozzle Holder	11
Rotating Brushes	54
Rotating Nozzles	18,19,25
Rubber Feet	40
Rubber Grommets	40

S

Sand Blast Kits	22,23
Screw Couplers	42

Sewer Nozzles	25
Sewer Jetter Nozzles	25
Sewer Jetter Hoses	24
Side Handle	6
Side Handle Nut	6
Soap Nozzles	17,25
Sockets	43
Snap Open Quick Couplers	42
Spray Guns	2,3,4
Spray Gun Kits	22
Spray Lances, Aluminum -Non Molded	5
Spray Lances, Aluminum - Molded	6
Spray Lances, Zinc Non-Molded	5
Spray Lances, Zinc Molded	6
Spray Lances, S.Steel-Non Molded	5
Spray Lances, Stainless Steel-Molded	6
Spray Nozzles	11,16,17,18,19,20,21,24,25
Spray Tip Holders	8,11
Steam Nozzle	25
Switches	9,10
Swivels	53

T

Tank, Float Valve	36
Teflon Tape	41
Telescoping Lance Assembly	55
Thermal Relief Valves	31
Thermostats	10
Thread Lock	41
Tip Retainer	8
Tires	44
Trigger Guns	2,3,4
Trigger Lance	7
Trombone Valve	11
Tubing	44
Turbo Nozzle	18,19
Turbo Nozzle - Repair Kits	20,21
Twist Couplers	42
Twist Plugs	42

U

Unloader Mounting Block	10,26
Unloaders	26,27,28,29,30

V

Vacuum Switches	9
Variable Angle Nozzles	24
Vented Grip Lances	6,7,8
Vented Grip Replacement	41
Vinyl Tubing	44
Viton O-Rings	42

W

Wands	4,5,6,7,8,54
Wand Handle	6
Wand Saver	42
Washer Cart	45
Water Brooms	45
Water Filters	38
Weep Guns	2
Whip Lines	15,40

Y

Y Inlet Filter	38
----------------	----

Z

Z Style CW Ceiling Boom	49
-------------------------	----

TERMS AND CONDITIONS



PAYMENT:

Standard terms are net 30 days from date of invoice for accounts with approved credit by MTM Hydro, Inc. A service charge of 1.5 % per month may be assessed on invoices over 30 days.

SHIPPING:

All freight shipped freight collect. All other orders shipped by United Parcel Service (UPS) unless otherwise specified. UPS charges are prepaid and added to the invoice. There is a \$ 10.00 charge per order for drop shipments.

PRICING:

MTM HYDRO, Inc. reserves the right to change discounts and/or prices without notice. Trade discounts are based upon unit and dollar volume and are inclusive of warranty allowance. A surcharge may be added to individual orders in response to foreign currency exchange rate fluctuations.

- Price list effective January 1st, 2010
- Subject to change without notice
- All prices F.O.B. Eden Prairie, Minnesota
- The price in effect at time of shipment will apply.
- Pricing discrepancies must be filed within 30 days of invoice

MINIMUM OF ORDER:

\$ 50 minimum required for all orders.

RETURNS:

- Returns for credit must be received within 30 days of shipment and pre-approved by MTM Hydro Inc.
- All returns must be sent freight paid.
- A return authorization number and invoice copy must accompany all returns.
- Please note that a restocking charge will be assessed.

SHIPPING DISCREPANCIES:

Discrepancies must be submitted within 24 hours of receipt of goods.

LIMITED WARRANTY ON MTM Hydro, Inc. PRODUCTS

MTM Hydro warrants to the original purchaser of its products (the "Purchaser") that such products will be free from defects in material and workmanship under normal use for the period of ninety (90) days for all products. "Normal use" does not include use in excess of recommended maximum speeds, flows, pressures, vacuums and temperatures, or use requiring handling of fluids not compatible with component materials as noted in MTM Hydro products catalog, technical literature, and instructions. This warranty does not cover freight damage, freezing damage, normal wear and tear, or damage caused by misapplication, fault, negligence, alterations, or repair that affects the performance or reliability of the product.

This warranty is exclusive. MTM Hydro Inc. makes no other warranty, express or implied, included but not limited to any warranty of merchantability or fitness for a particular purpose.

MTM Hydro's obligations under this warranty is, at MTM Hydro's option, to either repair or replace the product upon return of the entire product to the MTM Hydro factory in accordance with the return procedures set forth under "Returns". This is the exclusive remedy for any breach of warranty.

In no event shall MTM Hydro Inc. be liable for any incidental or consequential damages of any kind, whether for breach of any warranty, for negligence on the basis of strict liability, or otherwise.

Possession of this Catalog or any other MTM Hydro, Inc. material should not be construed as an offer to sell.

MTM Hydro

MTM Hydro Inc.

7430 Washington Ave. So - Eden Praire, Minnesota 55344

phone 952.746.4825 - 866.MTM.4020

fax 952.746.4829 - 866.MTM.4021

www.mtmhydro.com - info@mtmhydro.com



components and accessories for

high pressure cleaners and car wash industry