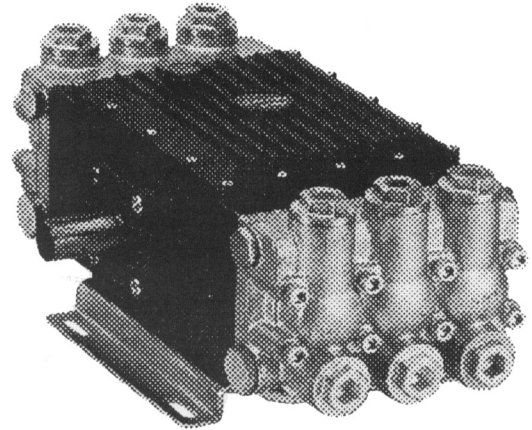


FEATURES

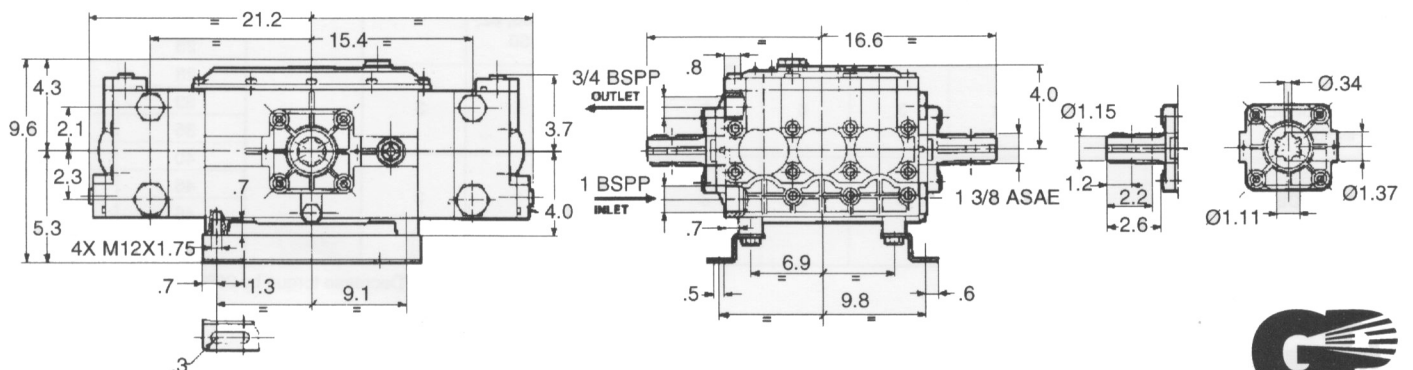
- Forged brass manifold with an exclusive lifetime warranty
- High-flow applications
- Dual manifolds utilizing a common crankcase for efficient performance
- Solid ceramic plungers with continuously lubricated packings
- Unitized stainless steel inlet and discharge valves
- Bronze connecting rods for maximum life



SPECIFICATIONS

Pump Model	AT0111B	AT0177B
Maximum Volume	29.1 GPM	45.0 GPM
Maximum Discharge Pressure	725 PSI	870 PSI
Maximum Pump Speed	550 RPM	650 RPM
Maximum Inlet Pressure	125 PSI	
Bore	1.771 in. / 45 mm	
Stroke (in./mm)	.945 / 24	1.102 / 28
Crankcase Oil Capacity	71 oz.	
Maximum Fluid Temperature	165°F	
Inlet Port Thread	1-11 BSPP-F	
Discharge Port Thread	3/4-14 BSPP-F	
Shaft Diameter	1-3/8" ASAE splined	
Weight	156 lbs.	
Dimensions	21 x 17 x 9.5 in.	

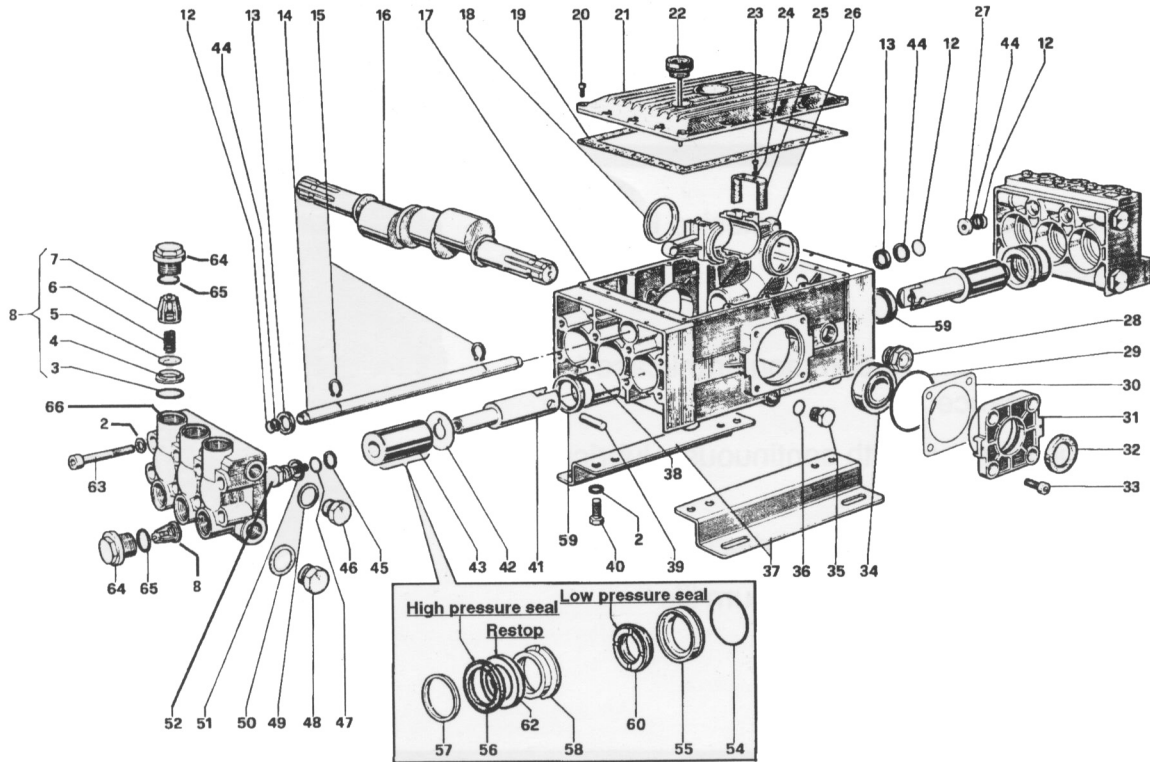
DIMENSIONAL DRAWING



AT Series 77 – Sixplex

GENERAL PUMP

A member of the Interpump Group



PARTS LIST

ITEM	PART NO.	DESCRIPTION	KIT	QTY.	ITEM	PART NO.	DESCRIPTION	KIT	QTY.	ITEM	PART NO.	DESCRIPTION	KIT	QTY.
2.	96.7195.00	Washer	36		22.	98.2272.00	Oil Dipstick	1		43.	76.0402.09	Plunger (45 mm)	6	
3.	90.4059.00	O-Ring	43	12	23.	99.1537.00	Screw	12		44.	90.5090.00	Anti-Ext. Ring	4	
4.	36.2011.66	Valve Seat	43	12	24.	96.6910.00	Washer	12		45.	90.5107.00	Anti-Ext. Ring	74	6
5.	36.2010.76	Valve	43	12	27.	77.2203.70	Cap	2		46.	98.2265.00	Cap Screw	3	
6.	94.7450.00	Spring	43	12	28.	97.5968.00	Oil Sight Gauge	1		47.	90.3841.00	O-Ring	74	6
7.	36.2009.51	Valve Guide	43	12	29.	90.4141.00	O-Ring	2		48.	98.2325.00	Cap Screw	2	
8.	36.7065.01	Valve Assembly	43	12	30.	76.2200.78	Shim	2		49.	96.7700.00	Washer	3	
12.	90.3835.00	O-Ring	4		31.	76.1500.22	Cover	2		50.	96.7870.00	Washer	2	
13.	90.1614.00	Oil Seal	4		32.	90.1672.00	Oil Seal	32	2	51.	96.7555.00	Washer	74	6
14.	77.2122.93	Crossover Tube	1		33.	99.3652.00	Screw	8		52.	69.2195.66	Plunger Screw	74	6
15.	90.0605.00	Cir-clip	2		34.	91.8473.00	Bearing	2		54.	90.3903.00	O-Ring	47,80	6
16.	76.0202.35	Shaft 1-3/8" ASAE splined dual	1			91.8474.00	(as above, for AT0177)			55.	76.0802.70	Packing Retainer	47,80	6
	76.0206.35	(as above, for AT0177)			35.	98.2100.00	Cap Screw	1		56.	90.2850.00	Packing	79,80	6
	76.0208.35	Shaft 1-3/8" ASAE x 35mm solid			36.	90.3833.00	O-Ring	1		57.	76.1002.51	Head Ring	48,80	6
	76.0207.35	(as above, for AT0177)			37.	76.2000.74	Foot	2		58.	76.2170.70	Intermediate Ring	80,81	6
17.	77.0100.22	Crankcase	1		38.	90.9174.00	Bushing	6		59.	90.1670.00	Oil Seal	44	6
18.	77.2121.89	Con-Rod Ring	6		39.	97.7400.00	Pin	6		60.	90.2855.00	Seal, Low Press., 45mm	79,80	6
19.	77.2118.84	Cover Gasket	1		40.	99.4266.00	Screw	4		62.	90.2848.00	Restop Ring	79,80,81	6
20.	99.1867.00	Screw	16		41.	77.0500.22	Plunger Guide	6		63.	99.4418.00	Screw	16	
21.	77.2114.22	Crankcase Cover	1			77.0501.22	(as above, for AT0177)			64.	98.2420.00	Cap Screw	12	
25.	77.2170.74	Yoke	6		42.	96.7568.00	Washer	6		65.	90.4065.00	O-Ring	12	
26.	77.0300.22	Double Con. Rod	3							66.	77.1200.41	Brass Manifold	2	

PARTS LIST

TORQUE SPECS*

KIT NO.	32	43	44	47	48	74	79	80	81
ITEM NO.s INCLUDED IN KIT	32	3, 4, 5, 6, 7 (8)	59	54, 55	57	45, 47, 51, 52	56, 60, 62	54, 55, 56, 57, 58, 62, 60	58, 62
NUMBER OF ASSEMBLIES IN KIT	2	6	3	3	6	3	3	1	3
NUMBER OF CYLINDERS KIT WILL SERVICE	-	3	3	3	3	3	3	1	3

Position	Ft.-lbs.
1	51.5
11	51.5
20	7.3
23	5.1
28	13.2
33	29.4
35	29.4
40	51.5
46	51.5
48	73.7
52	29.4

*Decrease torque by 20% if threads are lubricated.

