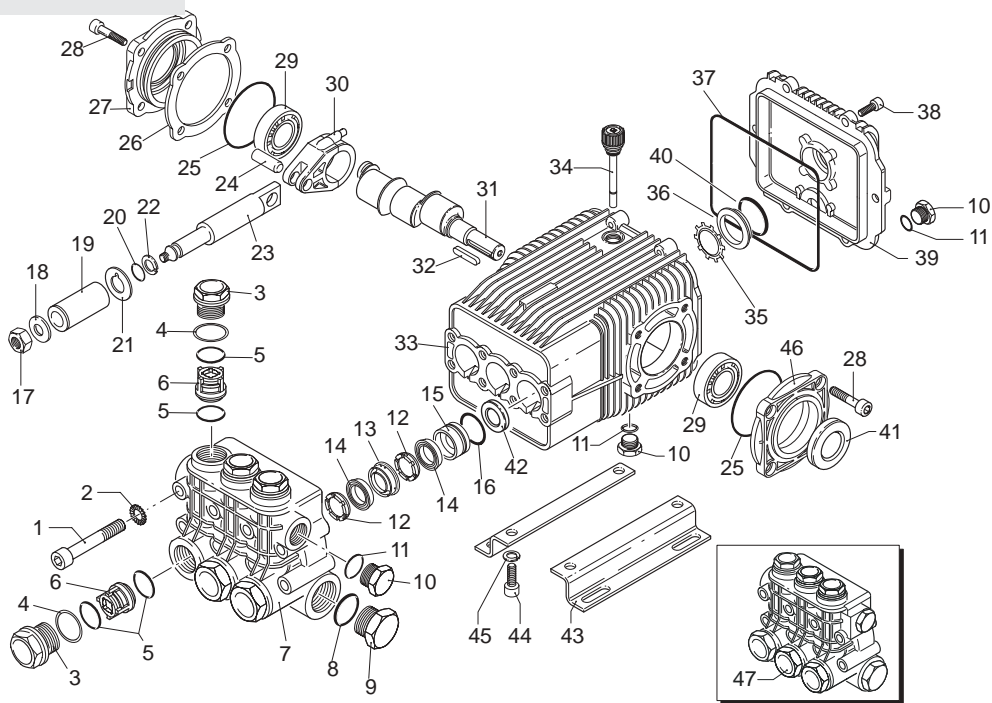


XWL 1450 RPM



| Pos. | Code | Description | Qty. | Pos. | Code | Description | Qty. |
|------|---------|-----------------------------|------|------|---------|--------------------|------|
| 1 | 1940260 | Head bolt (442 in/lbs) | 8 | 40 | 1140450 | O-Ring | 1 |
| 2 | 650530 | Washer | 8 | 41 | 820680 | Oil seal | 1 |
| 3 | 1940140 | Valve cap (602 in/lbs) | 6 | 42 | 1940560 | Oil seal | 3 |
| 4 | 1941970 | Valve cap 1/4" threaded | 1 | 43 | 1940370 | Mounting rail | 2 |
| 5 | 1940150 | Back-up ring | 6 | 43b | 2748 | 1-1/4" Rail Kit | 1 |
| 6 | 1140450 | O-Ring | 12 | 44 | 1940380 | Bolt | 4 |
| 7 | 1949050 | Complete valve | 6 | 45 | 200231 | Washer | 4 |
| 8 | 1941550 | Pump head | 1 | 46 | 1941240 | Drive side cover | 1 |
| 9 | 550350 | O-Ring | 1 | 47 | 1949205 | Complete pump head | 1 |
| 10 | 1140300 | Plug 3/4G | 1 | | | | |
| 11 | 1980740 | Plug 3/8G | 3 | | | | |
| 12 | 740290 | O-Ring | 3 | | | | |
| 13 | 1941570 | Head ring | 6 | | | | |
| 14 | 1140280 | Front plunger guide | 3 | | | | |
| 15 | 820630 | High & Low pressure packing | 6 | | | | |
| 16 | 1941560 | Rear plunger guide | 3 | | | | |
| 17 | 1140490 | O-Ring | 3 | | | | |
| 18 | 1940570 | Nut (106 in/lbs) | 3 | | | | |
| 19 | 1940580 | Washer | 3 | | | | |
| 20 | 1140190 | Piston | 3 | | | | |
| 21 | 880840 | O-Ring | 3 | | | | |
| 22 | 1140160 | Slinger | 3 | | | | |
| 23 | 1940120 | Ring | 3 | | | | |
| 24 | 1940070 | Piston rod | 3 | | | | |
| 25 | 1940060 | Connecting rod pin | 3 | | | | |
| 26 | 1941380 | O-Ring | 2 | | | | |
| 27 | 1941390 | 0.05 mm shim | 1-3 | | | | |
| 28 | 1941400 | 0.10 mm shim | 1-3 | | | | |
| 29 | 1941410 | 0.19 mm shim | 1-3 | | | | |
| 30 | 1941420 | 0.25 mm shim | 1-3 | | | | |
| 31 | 1949011 | Side cover | 1 | | | | |
| 32 | 850370 | Bolt (217 in/lbs) | 8 | | | | |
| 33 | 1140410 | Bearing | 2 | | | | |
| 34 | 1940050 | Con-rod (89 in/lbs) | 3 | | | | |
| 35 | 1940170 | Crank shaft | 1 | | | | |
| 36 | 650250 | Key | 1 | | | | |
| 37 | 1941330 | Crankcase | 1 | | | | |
| 38 | 1140370 | Oil cap | 1 | | | | |
| 39 | 1260430 | Snap ring | 1 | | | | |
| | 1260250 | Oil sight glass | 1 | | | | |
| | 1940410 | O-Ring | 1 | | | | |
| | 1200430 | Bolt (89 in/lbs) | 6 | | | | |
| | 1949010 | Rear cover | 1 | | | | |

Legend

Ø28

XWL42.05

XWL42.07

XWL42.10

XWL42.15

Repair Kits

| Water Seals | | Valves | | Pistons | | Oil Seals | |
|-------------|------|----------|------|----------|------|-----------|------|
| Kit 1853 | | Kit 2780 | | Kit 1849 | | Kit 2781 | |
| Pos. | Qty. | Pos. | Qty. | Pos. | Qty. | Pos. | Qty. |
| 12 | 6 | 5 | 6 | 19 | 3 | 25 | 2 |
| 14 | 6 | 6 | 6 | | | 37 | 1 |
| 16 | 3 | | | | | 41 | 1 |
| | | | | | | 42 | 3 |

Piston Guides

Kit 2507

Pos. Qty.

13 3

15 3

Special Parts

| Code | Description | Qty. |
|------|-----------------------|------|
| 2036 | Viton water seals Ø28 | 1 |