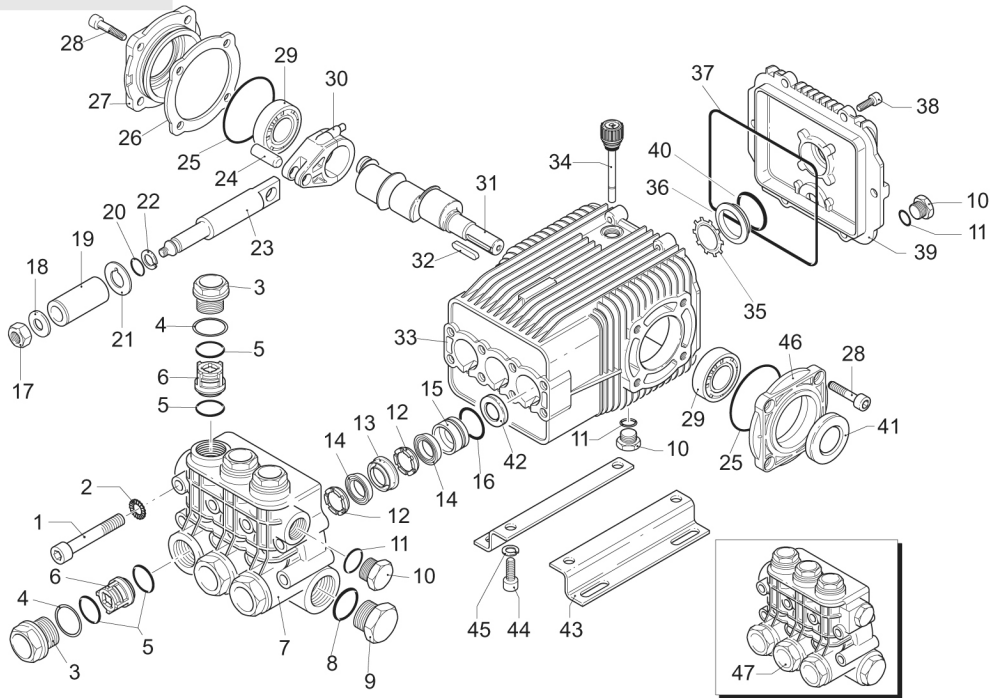


XWF 1000 RPM



Pos.	Code	Description	Qty.
1	1940260	Head bolt (442 in/lbs)	8
2	650530	Washer	8
3	1940140	Valve cap (602 in/lbs)	6
4	1941970	Valve cap 1/4" threaded	1
4	1940150	Back-up ring	6
5	1140450	O-Ring	12
6	1949050	Complete valve	6
7	1941550	Pump head	1
8	550350	O-Ring	1
9	1140300	Plug 3/4G	1
10	1980740	Plug 3/8G	3
11	740290	O-Ring	3
12	1941570	Head ring	6
13	1140280	Front plunger guide	3
14	820630	High & Low pressure packing	6
15	1941560	Rear plunger guide	3
16	1140490	O-Ring	3
17	1940570	Nut (106 in/lbs)	3
18	1940580	Washer	3
19	1140190	Piston	3
20	880840	O-Ring	3
21	1140160	Slinger	3
22	1940120	Ring	3
23	1940070	Piston rod	3
24	1940060	Connecting rod pin	3
25	1941380	O-Ring	2
26	1941390	0.05 mm shim	1-3
26	1941400	0.10 mm shim	1-3
26	1941410	0.19 mm shim	1-3
26	1941420	0.25 mm shim	1-3
27	1949011	Side cover	1
28	850370	Bolt (217 in/lbs)	8
29	1140410	Bearing	2
30	1940050	Con-rod (89 in/lbs)	3
31	1940160	Crank shaft	▽ 1
31	1940190	Crank shaft	○ 1
31	1940170	Crank shaft	□ 1
32	650250	Key	1
33	1941330	Crankcase	1
34	1140370	Oil cap	1
35	1260430	Snap ring	1
36	1260250	Oil sight glass	1
37	1940410	O-Ring	1

Pos.	Code	Description	Qty.
38	1200430	Bolt (89 in/lbs)	6
39	1949010	Rear cover	1
40	1140450	O-Ring	1
41	820680	Oil seal	1
42	1940560	Oil seal	3
43	1940370	Mounting rail	2
43b	2748	1-1/4" Rail Kit	1
44	1940380	Bolt	4
45	200231	Washer	4
46	1941240	Drive side cover	1
47	1949205	Complete pump head	1

Legend

Ø28	Ø28	Ø28
For ○	For □	For ▽
XWF26.06	XWF30.10	XWF36.17
XWF26.09	XWF30.18	
XWF26.12		
XWF26.15		
XWF26.20		

Repair Kits

Water Seals	Valves	Pistons	Oil Seals
Kit 1853	Kit 2780	Kit 1849	Kit 2781
Pos. Qty.	Pos. Qty.	Pos. Qty.	Pos. Qty.
12 6	5 6	19 3	25 2
14 6	6 6		37 1
16 3			41 1
			42 3

Piston Guides

Pos.	Qty.
13	3
15	3

Special Parts

Code	Description	Qty.
2036	Viton water seals Ø28	1