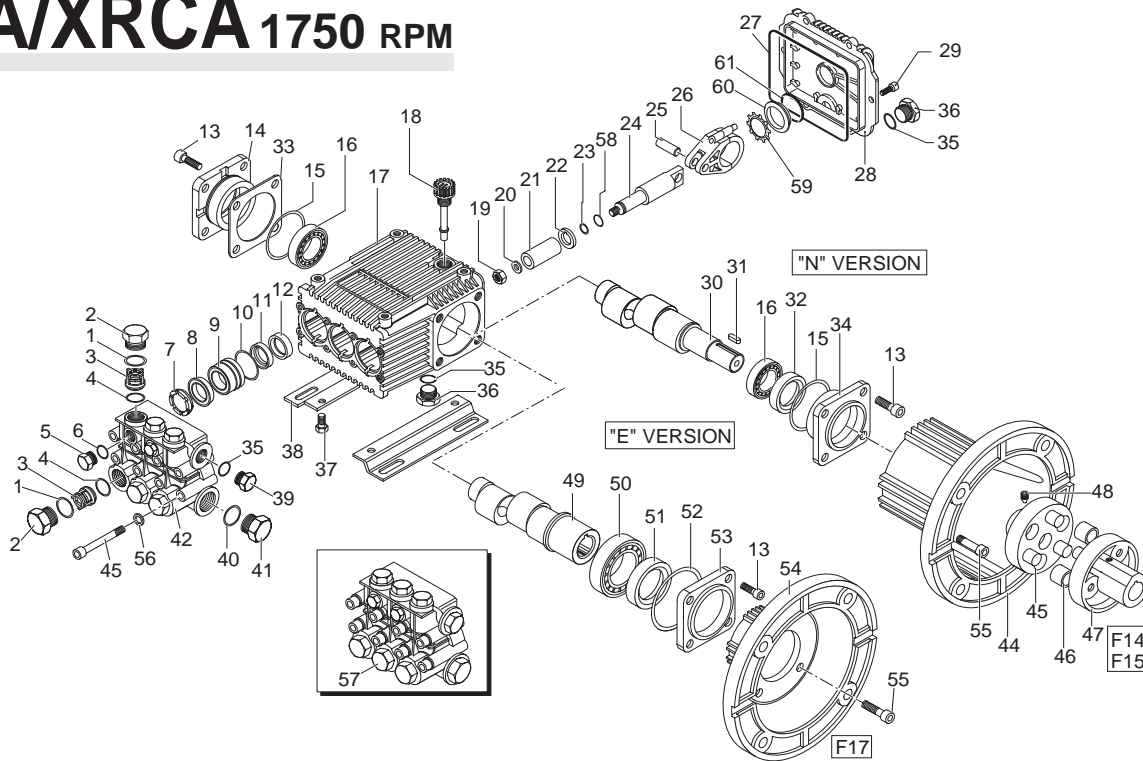


XRA/XRCA 1750 RPM



Pos.	Code	Description	Qty.
1	960160	O-Ring	6
2	960090	Valve cap Brass (478 in/lbs)	6
3	960850	Valve cap SS (478 in/lbs)	6
4	1380740	Valve cap NickelPlt (478 in/lbs)	6
5	960090T	Brass valve cap 1/4" threaded	1
6	960850T	SS valve cap 1/4" threaded	1
7	1389051	Complete Valve	6
8	880830	O-Ring	6
9	880581	Plug 1/4G Brass	2
10	1380690	Plug 1/4G NP	2
11	820510	O-Ring	2
12	960110	Support ring	Ø18 3
13	840320	Support ring	Ø20 3
14	880320	High pressure packing	Ø18 3
15	840290	High pressure packing	Ø20 3
16	1380090	Piston guide	Ø18 3
17	1380150	Piston guide	Ø20 3
18	961240	O-Ring	3
19	880330	Low pressure seal	Ø18 3
20	840280	Low pressure seal	Ø20 3
21	880520	Oil seal	3
22	850370	Bolt	8
23	1380050	Closed bearing sup.	1
24	640030	O-Ring	2
25	840370	Bearing	1
26	1380010	Pump housing	1
27	880130	Oil cap	1
28	962010	Nut	3
29	962000	Washer	3
30	1380940	Piston	Ø18 3
31	1380930	Piston	Ø20 3
32	1380950	Slinger	3
33	600180	O-Ring	3
34	1380920	Guiding piston	3
35	1380060	Piston pin	3
36	1380440	Aluminum con rod	3
37	1380290	Bronze con rod	3
38	1380170	Gasket	1
39	1389010	Complete cover	1
40	1381680	Bolt	6
41	1380100	Crankshaft	○ 1
42	1380450	Crankshaft	▽ 1
43	1380110	Crankshaft	□◆ 1
44	1380520	Key	1
45	180340	Oil seal	1
46	1380530	Shim 0.5 mm	1 - 3
47	1380120	Shim 0.1 mm	1 - 3
48	1380130	Shim 0.2 mm	1 - 3

Pos.	Code	Description	Qty.
34	1380040	Open bearing sup.	1
35	740290	O-Ring	2
36	880530	Plug 3/8G	1
37	1260470	Screw	4
38	1380141	Base	2
39	880530	Plug 3/8G Brass	1
40	960860	Plug 3/8G NP	1
41	180101	O-Ring	1
42	820360	Plug 1/2G Brass	1
43	960870	Plug 1/2G NP	1
44	1381071	Pump head	Ø18 1
45	1381070	Pump head NP	Ø18 1
46	1380020	Pump head	Ø20 1
47	1380680	Pump head NP	Ø20 1
48	820150	Head bolt	8
49	1380490	Electric motor flange	1
50	1380300	Pump coupling	1
51	1321670	Bushing	6
52	1380330	Motor coupling 1-1/8 (F14)	1
53	1380350	Motor coupling 1-3/8 (F15)	1
54	1380180	Set screw	1
55	1380250	Hollow shaft Ø1" 1/8	○ 1
56	1380260	Hollow shaft Ø1" 1/8	□ 1
57	1380280	Hollow shaft Ø1" 1/8	◆ 1
58	1380320	Bearing	1
59	621170	Oil seal	1
60	1380220	O-Ring	1
61	1380210	Shaft cover	1
62	1380360	Electric motor flange	1
63	620610	Bolt	4
64	1381850	Washer	8
65	1389232	Complete pump head Ø18	1
66	1389236	Complete pump head Ø18 NP	1
67	1389224	Complete pump head Ø18	1
68	1389208	Complete pump head Ø20	1
69	1389212	Complete pump head Ø20 NP	1
70	1080401	Ring	3
71	1260430	Snap ring	1
72	1260250	Oil sight glass	1
73	1140450	O-Ring	1

XRA Version

21	880291	Piston	Ø18 3
22	880581	Piston	Ø20 3
23	960460	Spacer	3
24	880840	O-Ring	3
25	1380070	Piston rod	3
26	1940120	Ring	3

Legend

Ø18	Ø18	Ø18	Ø20
For ○	For □	For ▼	For ◆
XRCA3.5G22	XRCA4G20	XRCA4.5G17	XRCA5.5G13
XRCA3.5G25	XRCA4G30	XRCA4.5G25	XRCA5.5G20
XRCA3.5G30H	XRCA4G30H	XRCA4.5G25H	XRCA5.5G20H
XRCA3.5G40H	XRCA4G35H	XRCA4.5G30H	XRCA5.5G26H
	XRCA4G40H	XRCA4.5G35H	

Repair Kits

Water Seals	Valves	Pistons	Oil Seals
Kit 1857 Ø18	Kit 2864	Kit 2546 Ø18	Kit 1855
Kit 1887 Ø20		Kit 2547 Ø20	

Pos.	Qty.	Pos.	Qty.	Pos.	Qty.	Pos.	Qty.
8	3	3	6	19	3	12	3
10	3	4	6	20	3	15	2
11	3			21	3	27	1
				22	3	32	1
				23	3		
				58	3		

Support Rings

Kit 1829 Ø18
Kit 1815 Ø20

Pos.	Qty.
7	3

Special Parts

Code	Description	Qty.
2809	Viton water seals Ø18	1
2810	Viton water seals Ø20	1
2819	Water seal in 180°F Ø18	1
2820	Water seal in 180°F Ø20	1