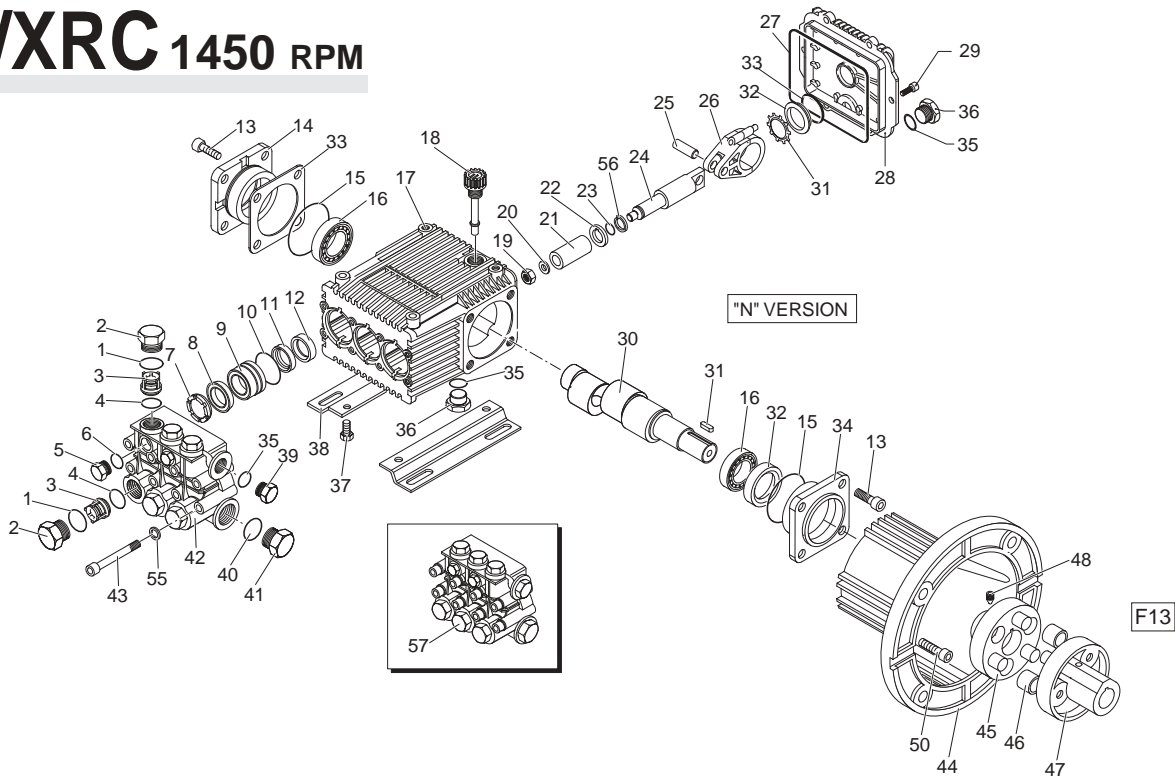


XR/XRC 1450 RPM



| Pos. | Code | Description | Qty. |
|------|---------|----------------------------------|------|
| 1 | 960160 | O-Ring | 6 |
| 1 | 960090 | Valve cap Brass (478 in/lbs) | 6 |
| 1 | 960850 | Valve cap SS (478 in/lbs) | 6 |
| 1 | 1380740 | Valve cap NickelPlt (478 in/lbs) | 6 |
| 1 | 960090T | Brass valve cap 1/4" threaded | 1 |
| 1 | 960850T | SS valve cap 1/4" threaded | 1 |
| 3 | 1389051 | Complete valve | 6 |
| 4 | 880830 | O-Ring | 6 |
| 4 | 880581 | Plug 1/4G Brass | 2 |
| 4 | 1380690 | Plug 1/4G NP | 2 |
| 5 | 820510 | O-Ring | 2 |
| 6 | 960110 | Support ring | 3 |
| 7 | 840320 | Support ring | 3 |
| 8 | 880320 | High pressure packing | 3 |
| 8 | 840290 | High pressure packing | 3 |
| 9 | 1380090 | Piston guide | 3 |
| 9 | 1380150 | Piston guide | 3 |
| 10 | 961240 | O-Ring | 3 |
| 11 | 880330 | Low pressure seal | 3 |
| 11 | 840280 | Low pressure seal | 3 |
| 12 | 880520 | Oil seal | 3 |
| 13 | 850370 | Bolt (217 in/lbs) | 8 |
| 14 | 1380050 | Closed bearing sup. | 1 |
| 15 | 640030 | O-Ring | 2 |
| 16 | 840370 | Bearing | 1 |
| 17 | 1382770 | Pump housing | 1 |
| 18 | 880130 | Oil cap | 1 |
| 19 | 962010 | Nut (106 in/lbs) | 3 |
| 20 | 962000 | Washer | 3 |
| 21 | 1380940 | Piston | 3 |
| 21 | 1380930 | Piston | 3 |
| 22 | 1380950 | Slinger | 3 |
| 23 | 600180 | O-Ring | 3 |
| 24 | 1380920 | Guiding piston | 3 |
| 25 | 1380060 | Piston pin | 3 |
| 26 | 1380440 | Aluminium con rod <3000 PSI | 3 |
| 26 | 1380290 | Bronze con rod >3000 PSI | 3 |
| 27 | 1780510 | Gasket | 1 |
| 28 | 1789010 | Complete cover | 1 |
| 29 | 1200430 | Bolt (89 in/lbs) | 6 |
| 30 | 1380100 | Crankshaft | 1 |
| 30 | 1380470 | Crankshaft | 1 |
| 30 | 1380480 | Crankshaft | 1 |
| 31 | 1380520 | Key | 1 |
| 32 | 180340 | Oil seal | 1 |

| Pos. | Code | Description | Qty. |
|------|---------|----------------------------|-------|
| 33 | 1380530 | Shim 0.5 mm | 1 - 3 |
| 33 | 1380120 | Shim 0.1 mm | 1 - 3 |
| 33 | 1380130 | Shim 0.2 mm | 1 - 3 |
| 34 | 1380040 | Open bearing sup. | 1 |
| 35 | 740290 | O-Ring | 2 |
| 36 | 880530 | Plug 3/8G | 1 |
| 37 | 1260470 | Bolt | 4 |
| 38 | 1380141 | Base | 2 |
| 39 | 880530 | Plug 3/8G Brass | 1 |
| 39 | 960860 | Plug 3/8G NP | 1 |
| 40 | 180101 | O-Ring | 1 |
| 41 | 820360 | Plug 1/2G Brass | 1 |
| 41 | 960870 | Plug 1/2G NP | 1 |
| 42 | 1381071 | Pump head Ø18 | 1 |
| 42 | 1381070 | Pump head Ø18 NP | 1 |
| 42 | 1380680 | Pump head Ø20 | 1 |
| 43 | 820150 | Head bolt (217 in/lbs) | 8 |
| 44 | 1380380 | Electric motor flange | 1 |
| 45 | 1380300 | Pump coupling | 1 |
| 46 | 1321670 | Bushing | 6 |
| 47 | 1380330 | Motor coupling 1-1/8 (F14) | 1 |
| 47 | 1380350 | Motor coupling 1-3/8 (F15) | 1 |
| 48 | 1380180 | Set screw | 1 |
| 49 | 1380320 | Bearing | 1 |
| 50 | 620610 | Bolt | 1 |
| 51 | 1380220 | O-Ring | 1 |
| 52 | 1380460 | Electric motor flange | 1 |
| 53 | 540290 | Bolt | 4 |
| 54 | 1380370 | Electric motor flange | 1 |
| 55 | 1381850 | Washer | 8 |
| 56 | 1080401 | Back-up ring | 3 |
| 57 | 1389232 | Complete pump head Ø18 | 1 |
| 57 | 1389236 | Complete pump head Ø18 NP | 1 |
| 57 | 1389224 | Complete pump head Ø18 NP | 1 |
| 57 | 1389212 | Complete pump head Ø20 | 1 |

| XR Version | | | |
|------------|---------|--------------|---|
| 21 | 880291 | Piston | 3 |
| 22 | 960460 | Spacer | 3 |
| 23 | 880840 | O-Ring | 3 |
| 24 | 1380070 | Piston rod | 3 |
| 56 | 1940120 | Back-up ring | 3 |

Legend

| Ø 18 | Ø 18 | Ø 20 |
|-----------|-----------|----------|
| For ○ | For □ | For ▼ |
| XRC11.25H | XRC15.15 | XRC18.20 |
| | XRC15.20H | |
| | XRC15.25H | |
| | XRC15.28H | |

Repair Kits

| Water Seals | Valves | Pistons | Oil Seals |
|--------------|----------|--------------|-----------|
| Kit 1857 Ø18 | Kit 2864 | Kit 2546 Ø18 | Kit 1855 |
| Kit 1887 Ø20 | | Kit 2547 Ø20 | |
| Pos. | Qty. | Pos. | Qty. |
| 8 | 3 | 3 | 6 |
| 10 | 3 | 4 | 6 |
| 11 | 3 | | |
| | | 19 | 3 |
| | | 20 | 3 |
| | | 21 | 3 |
| | | 22 | 3 |
| | | 23 | 3 |
| | | 56 | 3 |

Support Rings

| Kit 1829 Ø18 | |
|--------------|------|
| Kit 1815 Ø20 | |
| Pos. | Qty. |
| 7 | 3 |

Special Parts

| Code | Description | Qty. |
|------|-------------------------|------|
| 2809 | Viton water seals Ø18 | 1 |
| 2810 | Viton water seals Ø20 | 1 |
| 2819 | Water seal in 180°F Ø18 | 1 |
| 2820 | Water seal in 180°F Ø20 | 1 |