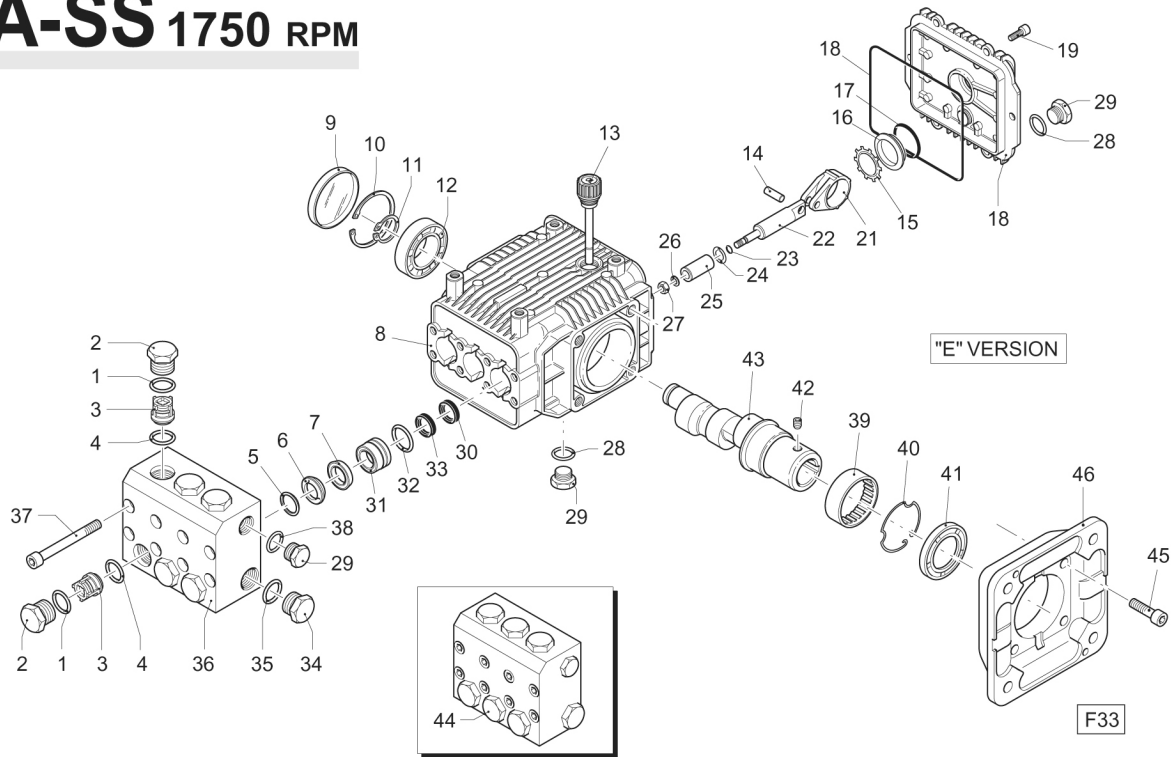


XMA-SS 1750 RPM



Pos.	Code	Description	Qty.
1	960161	O-Ring	6
2	2580031	Valve cap (443 in/lbs)	6
3	960850T	SS Valve cap 1/4" threaded	1
4	2589050	Complete valve	6
5	880831	O-Ring	6
6	1780130	Support ring	3
7	1260131	High pressure packing	3
8	1781030	Piston guide	3
9	2580010	Pump body	1
10	1266740	Side cover seal	1
11	1260790	Circlip	1
12	1780550	Snap ring	1
13	1780490	Bearing	1
14	880130	Oil cap	1
15	1780050	Piston pin	3
16	1260430	Snap ring	1
17	1260250	Sight glass	1
18	1140450	O-Ring	1
19	1780510	O-Ring	1
20	680560	Bolt (89 in/lbs)	6
21	2349010	Complete cover	1
22	1780710	Con rod	3
23	2580070	Guiding piston	3
24	480482	O-Ring	3
25	2580120	Slinger	3
26	1780070	Piston	3
27	2340200	Piston washer	3
28	2580110	Nut (106 in/lbs)	3
29	740290	O-Ring	2
30	2340350	3/8" G plug	3
31	1260460	Oil seal	3
32	2580050	Rear piston guide	3
33	770261	O-Ring	3
34	1260441	Low pressure seal	3
35	2340360	Plug	1
36	180102	O-Ring	1
37	2580080	Head	1
38	2580020	Head	1
39	2580090	Head bolt (80 in/lbs)	8
40	740291	O-Ring	1
41	1321190	Bearing	1
42	1321080	Snap ring	1
43	480671	Oil seal	1

Pos.	Code	Description	Qty.
42	820440	Grub screw	1
43	1781170	Hollow shaft	1
43	1781180	Hollow shaft	1
43	1780990	Hollow shaft	1
44	2589200	Complete pump head	1
44	2589201	Complete pump head	1
45	180030	Bolt	4
46	1780910	Electric motor flange	1

Legend		
Ø15	Ø15	Ø15
For ○	For □	For ▼
XMA-SS0.5G15	XMA-SS2.5G15	XMA-SS3G15

Repair Kits							
Water Seals		Valves		Pistons		Oil Seals	
Kit 2644		Kit 2631		Kit 2645		Kit 2787	
Pos.	Qty.	Pos.	Qty.	Pos.	Qty.	Pos.	Qty.
6	3	3	6	23	3	9	3
7	3	4	6	24	3	18	2
32	3			25	3	30	1
33	3			26	3	41	1
				27	3		

Support Rings	
Kit 2740	
Pos.	Qty.
5	3