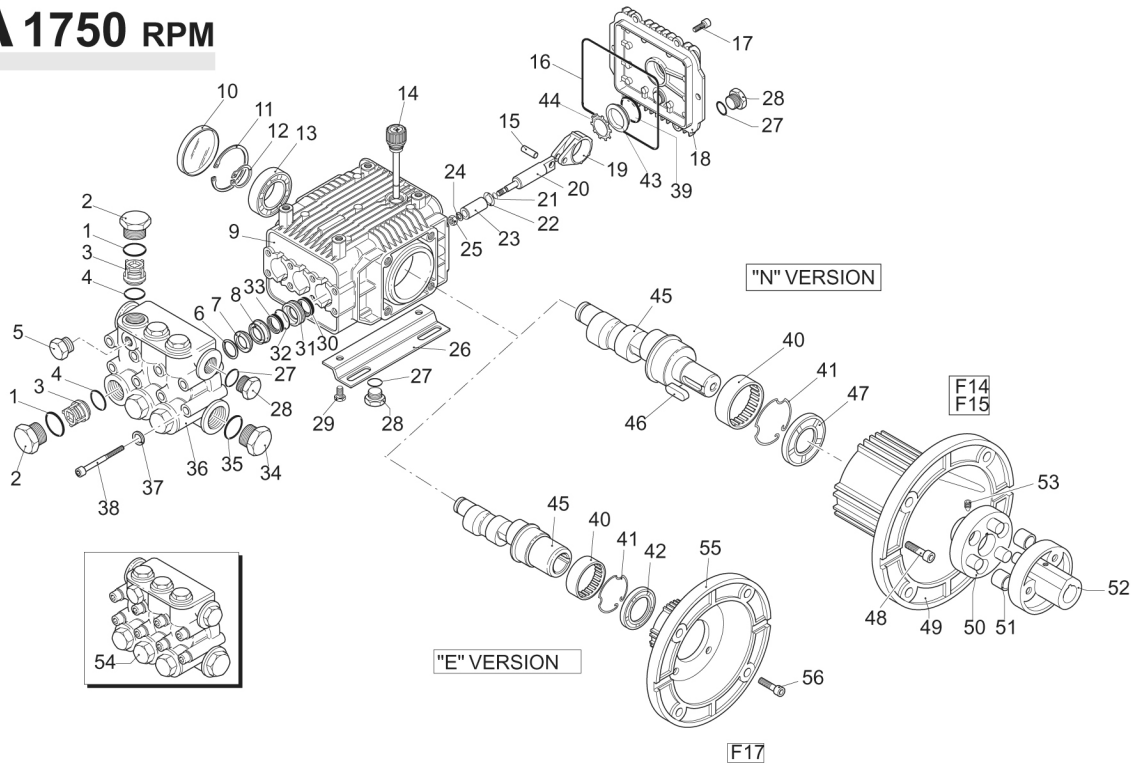


XMA 1750 RPM



Pos.	Code	Description	Qty.
1	960160	O-Ring	6
2	1260162	Valve Cap (442 in/lbs)	6
2	1260162T	Valve Cap 1/4" threaded (442 in/lbs)	1
3	1269050	Complete valve	6
4	880830	O-Ring	6
5	620301	Plug	1
6	1780130	Support ring Ø15	3
6	1780140	Support ring Ø18	3
7	1260130	High pressure packing Ø15	3
7	1260220	High pressure packing Ø18	3
8	1780090	Piston guide Ø15	3
8	1780110	Piston guide Ø18	3
9	1780010	Pump body	1
10	1266740	Cap	1
11	1260790	Circlip	1
12	1780550	Snap ring	1
13	1780490	Bearing	1
14	880130	Vented oil cap	1
15	1780050	Piston pin	3
16	1780510	O-Ring	1
17	1200430	Bolt (89 in/lbs)	6
18	1789010	Complete cover	1
19	1780040	Con rod	3
20	1780060	Guiding piston	3
21	480480	O-Ring	3
22	1260091	Washer (slinger)	3
23	1780070	Plunger Ø15	3
23	1780080	Plunger Ø18	3
24	1260100	Piston washer	3
25	1260110	Nut (106 in/lbs)	3
26	1380141	Mounting rail	2
26b	2729	5/8" Rail Kit	1
26c	2633H	2-5/8" Rail Kit	1
27	740290	O-Ring	3
28	1980740	3/8" G plug	3
29	1260470	Bolt	4
30	1260460	Oil seal	3
31	1780100	Rear piston guide Ø15	3
31	1780120	Rear piston guide Ø18	3
32	770260	O-Ring	3
33	1260440	Low pressure seal Ø15	3
33	1260450	Low pressure seal Ø18	3
34	820361	Plug 1/2G	1

Pos.	Code	Description	Qty.
35	180101	O-Ring	1
36	1780020	Pump head	1
37	1381550	Washer	8
38	1322730	Head bolt (133 in/lbs)	8
39	1140450	O-Ring	1
40	1321190	Bearing	1
41	1321080	Snap ring	1
42	480671	Oil seal	1
43	1260250	Oil sight glass	1
44	1260430	Snap ring	1
45	1780170	Crankshaft	○ 1
45	1780150	Crankshaft	□ 1
45	1780180	Crankshaft	▽ 1
46	1781050	Hollow shaft Ø 5/8"	○ 1
46	1780300	Hollow shaft Ø 1 1/8"	○ 1
46	1780290	Hollow shaft Ø 1 1/8"	□ 1
46	1780950	Hollow shaft Ø 1 1/8"	▽ 1
46	1380520	Key	1
47	1260750	Oil seal	1
48	180030	Bolt	4
49	1380490	Electric motor flange	1
50	1380300	Pump coupling	1
51	1321670	Bushing	6
52	1380330	Motor coupling 1-1/8 (F14)	1
52	1380350	Motor coupling 1-3/8 (F15)	1
53	1380180	Set screw	1
54	1789201	Complete pump head Ø15	1
54	1789202	Complete pump head Ø18	1
55	1380380	Motor flange	1
56	180030	Bolt	4

Legend		
Ø15	Ø15	Ø18
For ○	For □	For ▽
XMA2G22	XMA3.5G22	XMA4G20
XMA3G25	XMA3.5G25	

Repair Kits							
Water Seals	Valves	Pistons	Oil Seals				
Kit 2741Ø15		Kit 2544Ø15	Kit 2786 N Version				
Kit 2747Ø18	Kit 1864	Kit 2545Ø18	Kit 2787 E Version				
Pos.	Qty.	Pos.	Qty.	Pos.	Qty.	Pos.	Qty.
7	3	3	6	21	3	10	1
32	3	4	6	22	3	16	1
33	3			23	3	30	3
				24	3	42 E Version	1
				25	3	47 N Version	1

Support Rings	
Kit 2740 Ø15	
Kit 2745 Ø18	
Pos.	Qty.
6	3

Special Parts		
Code	Description	Qty.
2776	Viton water seals Ø15	1
2777	Viton water seals Ø18	1