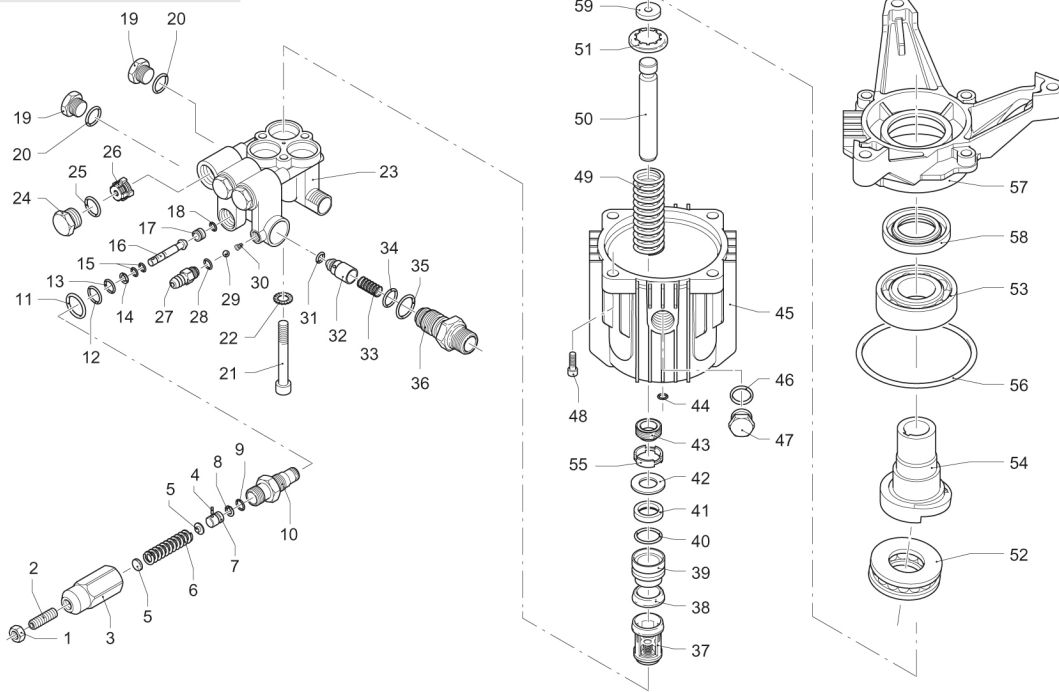


XJW-E 3400 RPM



Pos.	Code	Description	Qty.
1	1980300	Nut	1
2	392840	Adjusting screw	1
3	1980540	Adjusting cap	1
4	1080070	Pin	1
5	1980220	Plate spring	2
6	1980520	Spring	1
7	1080041	Upper piston	1
8	1080401	Back-up ring	1
9	1080250	O-Ring	1
10	1980530	Piston guide	1
11	880830	O-Ring	1
12	740290	O-Ring	1
13	800560	O-Ring	1
14	1271170	Back-up ring	1
15	1080190	O-Ring	2
16	1271160	Lower piston	1
17	1980200	Piston seat	1
18	1470210	O-Ring	1
19	880581	Plug 1/4G	2
20	820510	O-Ring	2
21	1980310	Head bolt (443 in/lbs)	3
22	650530	Washer	3
23	1981500	Pump head	1
24	1260162	Valve cap (443 in/lbs)	3
25	960160	O-Ring	3
26	1989061	Complete valve	6
27	1560490	Chem barb	1
28	480480	O-Ring	1
29	1250280	Ball	1
30	1560520	Spring	1
31	1460430	O-Ring	1
32	1540170	Check valve	1
33	1080091	Spring	1
34	394280	O-Ring	1
35	1200690	O-Ring	1
36	1270141	Detergent injector	1
37	1989060	Complete valve	3
38	2460180	High pressure packing	3
39	1981470	Piston guide	3
40	770130	O-Ring	3
41	1260440	Low pressure seal	3
42	1980170	Seal retainer	3
43	1980410	Seal	3

Pos.	Code	Description	Qty.
44	770090	O-Ring	1
45	1980460	Crankcase	1
46	740290	O-Ring	1
47	1980740	Oil plug	1
48	180030	Bolt	4
49	1981140	Spring	3
50	1981440	Piston	3
51	1980150	Piston retainer (3 pc)	3
52	1982290	Bearing	1
53	161060	Bearing	1
54	1981630	Angle plate	1
55	1981640	Angle plate	1
56	1981880	Angle plate	1
57	1980430	Retainer	3
58	1980340	O-Ring	1
59	1981430	Flange	1
	1981730	Seal	1
	1981130	Plunger shoe	1

Legend		
For ○	For □	For ▼
XJW-E2G22	XJW-E2.5G22	XJW-E3G22

Repair Kits			
Water Seals	Valves	Pistons	Oil Seals
Kit 2582	Kit 2581	Kit 2593	Kit 2511
Pos.	Qty.	Pos.	Qty.
38	3	26	3
40	3	37	3
41	3		
42	3		
55	3		
		50	3
			43
			44
			56

Unloader Kit			
Kit 2594			
Pos.	Qty.	Pos.	Qty.
1	1	10	1
2	1	11	1
3	1	12	1
4	1	13	1
5	2	14	1
6	1	15	2
7	1	16	1
8	1	17	1
9	1	18	1