

**GENERAL PUMP** *A member of the Interpump Group*

# WM Series

## Reverse Osmosis Pump

### FEATURES

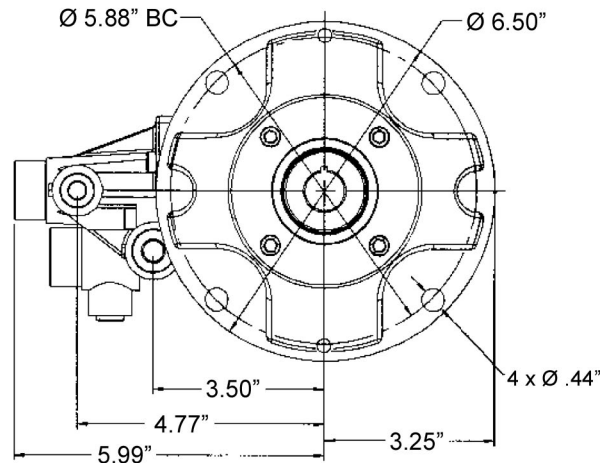
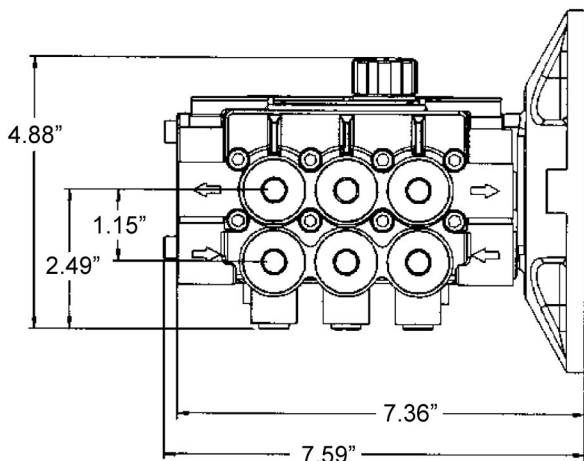
- 316 Stainless Steel Wet-End
- 300 Series Stainless Steel Fasteners
- Parallel Inlet and Outlet Valve Design for Efficiency and Easy Maintenance
- Corrosion Resistant Valve and Packing Design
- Innovative Wear Resistant High and Low Pressure Seals
- Dual Inlet and Outlet Porting
- Anodized Crankcase for Corrosion Resistance
- NEMA 56C Flange with 5/8" Hollow Shaft
- Available in Left-hand Configuration

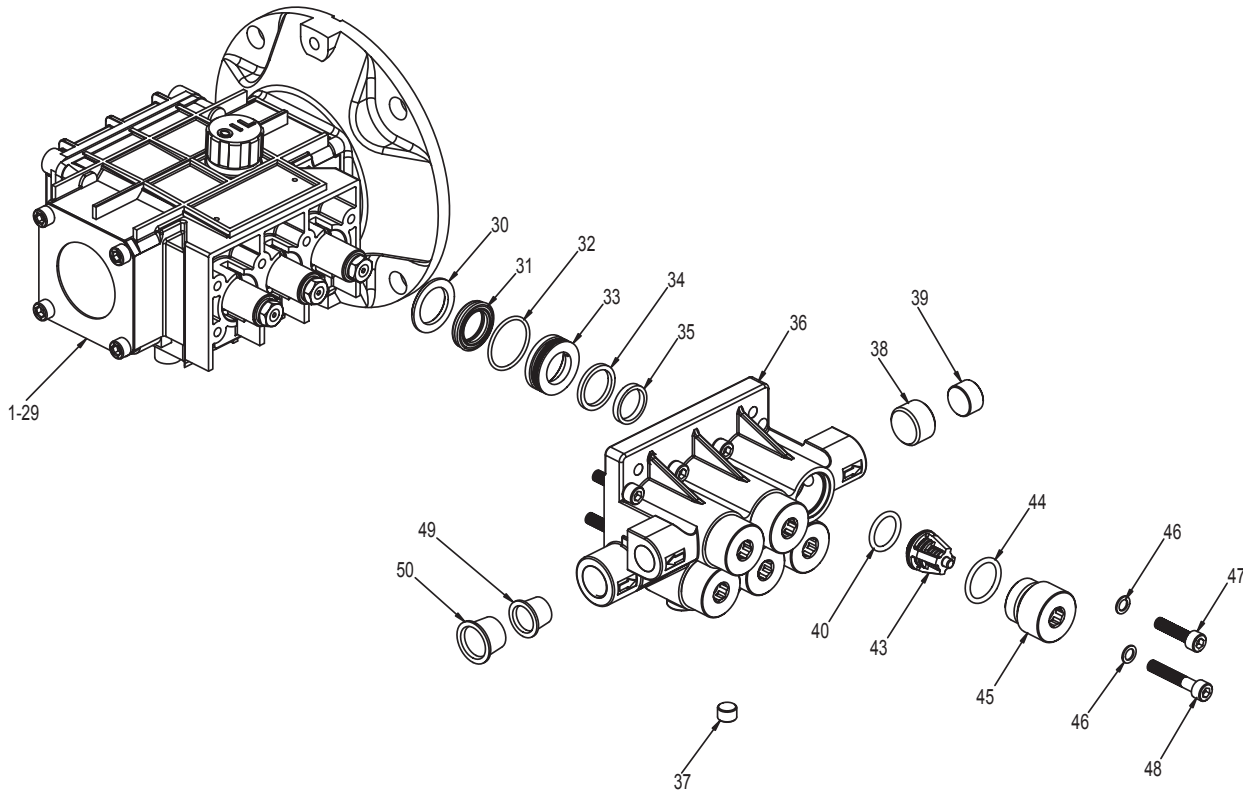


### SPECIFICATIONS

Pump Model	WM2315C	WM3015C	WM3615C	WM4215C
Maximum Volume	2.3 GPM	3.0 GPM	3.6 GPM	4.5 GPM
Maximum Discharge Pressure	1500 PSI			
Maximum Pump Speed	1750 RPM			
Maximum Inlet Pressure	50 PSI			
Maximum Inlet Vacuum	-5 PSI			
Plunger Bore (in / mm)	.787 / 20			
Plunger Stroke (in / mm)	.295 / 7.5	.370 / 9.4	.413 / 10.5	.492 / 12.5
Oil Capacity	12.0 oz			
Maximum Fluid Temperature	140°F			
Inlet Port Thread	1/2" NPT-F			
Discharge Port Thread	3/8" NPT-F			
Shaft Diameter	5/8 in Hollow			
Weight	13.5 lbs			
Dimensions	9.0 x 7.5 x 6.0 in			

### DIMENSIONAL DRAWING





### SPECIFICATIONS

Item	Part #	Description	Qty	Item	Part #	Description	Qty	Item	Part #	Description	Qty
1-29	195014	WM2315C Crankcase Assy	1	10	650032	Oil Cap	1	30	660053	Seal Retainer	3
	195011	As above-left handed		11	650026	Rear Cover	1	31	710012	Low Pressure Seal	3
	195019	WM3015C Crankcase Assy		12	200003	Screw SHCS 16mm Long	8	32	701023	O-Ring Seal Case	3
	195009	As above - left handed		13	650025	Sight Glass	1	33	660054	Seal Case	3
	195015	WM3615C Crankcase Assy		14	701610	O-Ring, Rear Cover	1	34	710011	Square Ring, HP Seal	3
	195012	As above- left handed		15	650015	Bushing	1	35	710010	Glyd Ring, HP Seal	3
	195016	WM4215C Crankcase Assy		16	650013	Washer	1	36	520055	Manifold	1
	195010	As above - left handed		17	200004	Screw HHCS 20mm long	1	37	520061	1/4 NPT Plug	3
1	650000	Crankcase	1	18	650010	Side Cover	1	38	520063	3/8 NPT Plug	1
2	650024	Connecting Rod	3	19	650009	Side Plate	1	39	520062	1/2 NPT Plug	1
3	650002	Crankshaft, WM2315C	1	20	650031	Oil Drain Plug	1	40	701115	O-Ring Valve Spacer	6
	650003	Crankshaft, WM3015C		21	710002	Oil Seal Plunger	3	43	103042	Valve	6
	650004	Crankshaft, WM3615C		22	650023	Wrist Pin	3	44	701002	O-Ring Valve Cap	6
	650005	Crankshaft, WM4215C		23	650020	Plunger Rod	3	45	520057	Valve Plug	6
4	147001	Bearing	2	24	650021	Slinger	3	46	203510	Washer, Ribbed Lock	8
5	710005	Oil Seal, Crankshaft	1	25	660024	Anti-Extrusion Ring	3	47	200025	Screw SHCS 25mm Long	4
6	650039	Retainer, Oil Seal	1	26	701501	O-Ring Plunger	3	48	200026	Screw SHCS 35mm Long	4
7	701133	O-Ring	2	27	650018	Plunger 18mm	3	49	145029	Plug, Cap #7	1
8	650034	Flange, NEMA 56C Face	1	28	203401	Washer, Plunger Rod	3	50	145030	Plug, Cap #9	1
9	200005	Screw SHCS 18mm Long	4	29	203000	Nut, Plunger Rod	3				

### REPAIR KITS

KIT NO.	WM01	WM02*
ITEM NO'S INCLUDED IN KIT	40, 43, 44	30, 31, 32, 33, 34, 35
NUMBER OF ASSEMBLIES IN KIT	6	3
NUMBER OF CYLINDERS KIT WILL SERVICE	3	3

\*Kit WM02 includes seal insertion tools 66062 & 66063

### TORQUE SPECS\*

ITEM	Ft-lbs
9	7.3
12	7.3
17	10.0
29	7.3
45	3.5
47	8.0
48	8.0

\*Decrease torque by 20% if threads are lubricated.