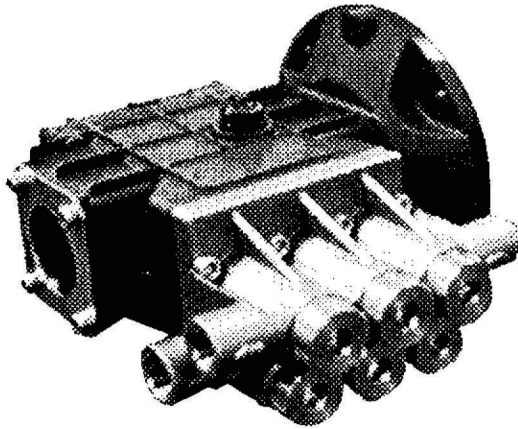


MAXIMUM PERFORMANCE: 0.5 GPM @ 1500 PSI



SPECIFICATIONS

Flow	.5 GPM
Rated Pump Speed	1750 RPM
Max. Discharge Pressure	1500 PSI
Max. Inlet Vacuum — (in. Hg)	-10
Crankcase Capacity	12 oz.
Use General Pump Series 100 Oil	
Max. Fluid Temperature	140°F
Bore	.709 in. (18 mm)
Stroke	.063 in. (1.6 mm)
Manifold Discharge Port	3/8 NPT(F)
Manifold Inlet Port	3/8-19 NPT(F)
Shaft Diameter	5/8 Hollow
Weight	13.5 lbs
Dimensions	9" X 7.5" X 6"

WARRANTY

The following statement is intended to assist our customers in understanding the terms of our warranty, the circumstances under which we will honor claims, and the procedure for making such claims.

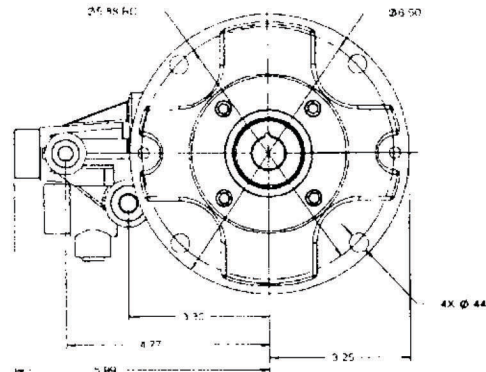
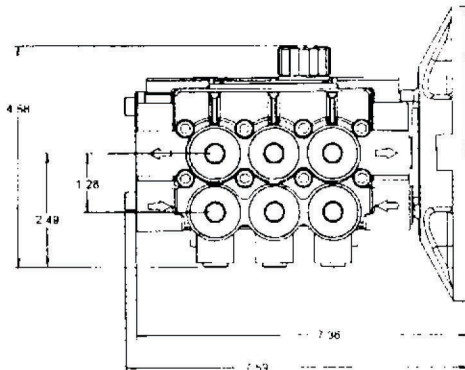
General Pump, Inc. warrants each pump manufactured by *General Pump, Inc.* to be free of defects in material or workmanship for a period of **five (5) years** from the date of shipment. In addition, *General Pump, Inc.* warrants all forged brass pump manifolds to be free of defects in material and workmanship and from damage resulting from **freezing for the life of the pump**. Liability under this warranty is on all non-wear parts and limited to the repair or replacement of any pump returned to *General Pump, Inc.* which upon inspection, is judged to be defective due to workmanship or material failure. Accessories have a 90 day warranty against defects in material and workmanship. Any product returned to *General Pump, Inc.* should be shipped freight prepaid to *General Pump, Inc. - 1174 Northland Drive - Mendota Heights, MN 55120* and must display a Return Authorization Number obtained from *General Pump, Inc.*'s Customer Service Department (612)454-6500, FAX 1-800-535-1745. *General Pump, Inc.* agrees to be responsible for return shipping costs on any approved warranty repair or replacement utilizing a carrier of our choice.

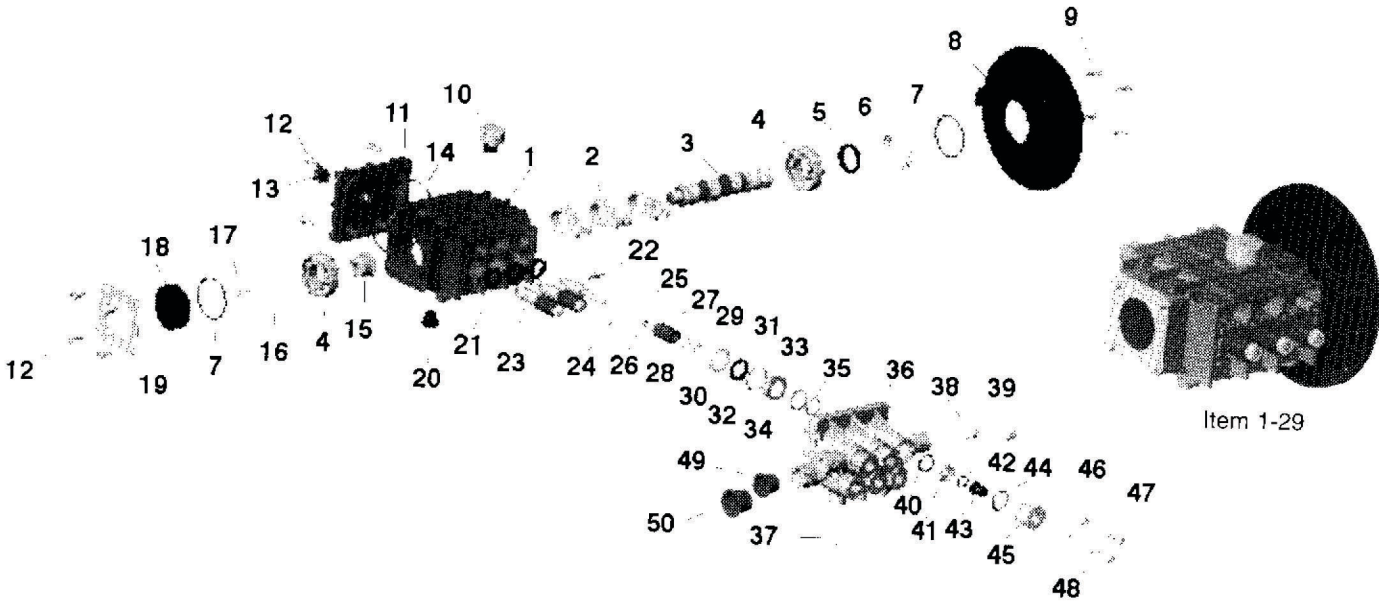
In the course of marketing or servicing the customer or potential customer's needs, *General Pump, Inc.* will use its best judgement in its recommendations. However, the ultimate responsibility for product application decisions shall rest with the customer. The sole and only warranty made by *General Pump, Inc.* is the limited warranty described above. *General Pump, Inc.* disclaims and denies any liability for any direct, indirect, special, incidental or consequential damages which may be suffered as a result of sale, delivery, servicing, use, loss of any product, downtime, labor, freight or other charges not expressly included herein. The only liability and the total liability of *General Pump, Inc.* under this limited warranty or in any claim regarding or involving *General Pump, Inc.* is expressly limited to the replacement of or purchase price of the product.

The following items are not warranted, due to matters beyond *General Pump, Inc.* control. 1) Normal wear and tear to parts that are considered standard wear parts; 2) Defects caused by the fault or negligence of the buyer or third party; 3) Use of unauthorized repair parts; or 4) Modifications made by the customer. Call customer service if any other questions arise.

This supersedes and replaces non-dated warranties or previously dated warranties (5/1/96).

DIMENSIONAL DRAWING





PARTS LIST

Item	Part #	Description	Qty	Item	Part #	Description	Qty
1-29	195013	Crankcase Assembly	1	28	203401	Washer, Plunger Rod	3
1	650000	Crankcase	1	29	203000	Nut, Plunger Rod	3
2	650024	Connecting Rod	3	30	660053	Seal Retainer	3
3	650001	Crankshaft 5/8" Hollow 0.5 GPM	1	31	710012	Low Pressure Seal	3
4	147001	Bearing	2	32	701023	O-Ring Seal Case	3
5	710005	Oil Seal, Crankshaft	1	33	660054	Seal Case	3
6	650039	Retainer, Oil Seal	1	34	710011	Square Ring, High Pressure Seal	3
7	701133	O-Ring, Oil Seal Retainer/Side Cover	2	35	710010	Glyd Ring, High Pressure Seal	3
8	650034	Flange, NEMA 56C Face	1	36	520055	Manifold	1
9	200005	Screw SHCS 18mm Long	4	37	520061	1/4 NPT Plug	3
10	650032	Oil Cap	1	38	520063	3/8 NPT Plug	1
11	650026	Rear Cover	1	39	520062	1/2 NPT PLug	1
12	200003	Screw SHCS 16mm Long	8	40	701115	O-Ring Valve Spacer	6
13	650025	Sight Glass	1	41	660055	Valve Spacer	6
14	701610	O-Ring, Rear Cover	1	42	701615	O-Ring Valve	6
15	650015	Bushing	1	43	100365	Valve	6
16	650013	Washer	1	44	701002	O-Ring Valve Cap	6
17	200004	Screw HHCS 20mm long	1	45	520057	Valve Plug	6
18	650010	Side Cover	1	46	203510	Washer, Ribbed Lock	8
19	650009	Side Plate	1	47	200025	Screw SHCS 25mm Long	4
20	650031	Oil Drain Plug	1	48	200026	Screw SHCS 35mm Long	4
21	710002	Oil Seal Plunger	3	49	145029	Plug, Cap #7	1
22	650023	Wrist Pin	3	50	145030	Plug, Cap #9	1
23	650020	Plunger Rod	3				
24	650021	Slinger	3				
25	660024	Anti-Extrusion Ring	3				
26	701501	O-Ring Plunger	3				
27	650018	Plunger 18mm	3				

REPAIR KITS

Kit#	WM02	WM05
Item# In Kit	30,31,32,33 3 4,35	40,41,42,43 44
# of Assy In Kit	3	6

TORQUE SPECS*

Item	Ft.-Lbs.
9	7.3
12	7.3
17	10
29	7.3
45	3.5
47	8
48	8

GENERAL PUMP

