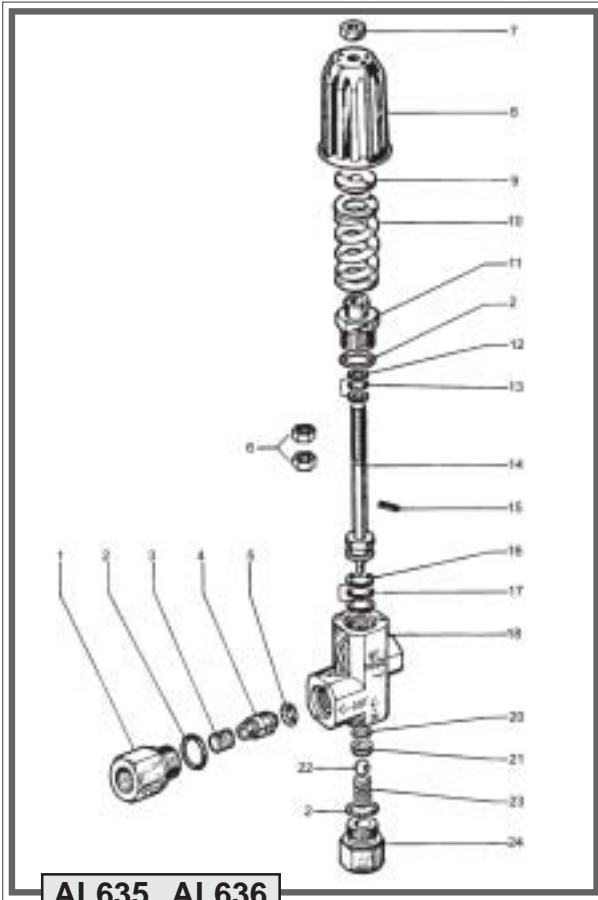


“VX S.S.” 303 Unloader Valve

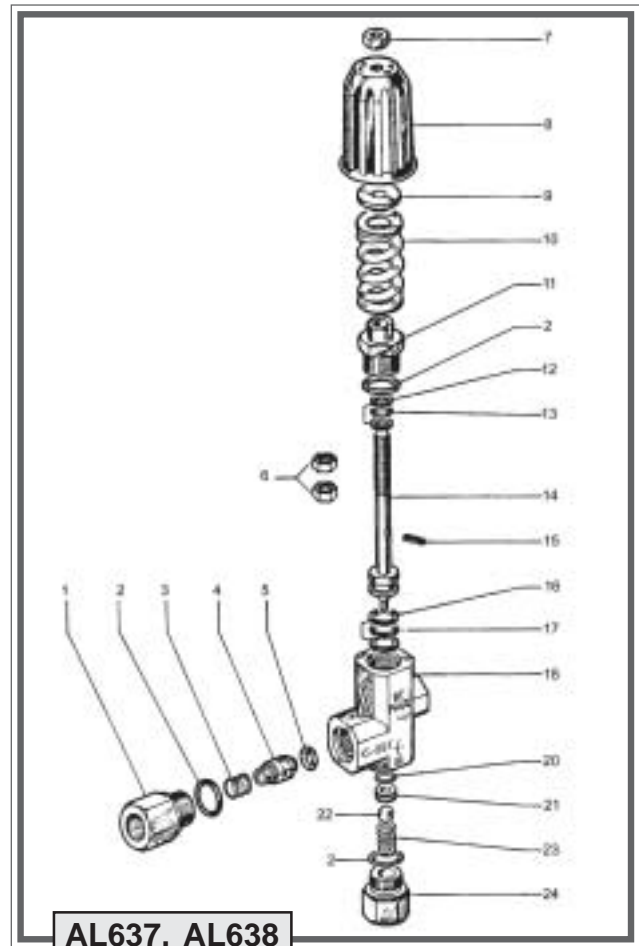


AL635, AL636

POS	CODE	QTY	DESCRIPTION
1	005-150030	1	Check connector
2	005-060108	3	O-ring 2068 70SH
3	005-100002	1	Shutter spring
4	005-120003	1	Shutter
5	005-060109	1	O-ring 6312 90SH
6	005-030200	2	M8 nut
7	005-030101	1	M8 lock nut
8	005-400300	1	Knob
9	005-150106	1	Washer
10	005-400400	1	1450 psi spring (yellow)
	005-400401	1	2900 psi spring (red)
	005-400402	1	3650 psi spring (blue)
11	005-150031	1	Stem guide union
12	005-000102	2	Back-up ring
13	005-060106	1	O-ring 2031 70SH
14	005-160507	1	Stem
15	005-160301	1	ø 3 x 12 mm spring pin
16	005-000101	2	Back-up ring
17	001-060101	1	O-ring 2050 70SH
18	005-020014	1	Body AISI 303
20	001-060129	1	O-ring 2043 90SH
21	001-160200	1	ø 7 seat
22	001-160008	1	ø 11/32 ball
23	005-100003	1	Ball spring
24	005-150029	1	Seat union
	005-650200	13	Repair kit

“VX S.S.” 316 Unloader Valve

POS	CODE	QTY	DESCRIPTION
1	005-150016	1	Check connector
2	005-060131	3	O-ring 2068 viton
3	005-100013	1	Shutter spring
4	005-120002	1	Shutter
5	005-060132	1	O-ring 6312 viton
6	005-030200	2	M8 nut
7	005-030101	1	M8 lock nut
8	005-400300	1	Knob
9	005-150105	1	Washer
10	005-400400	1	1450 psi spring (yellow)
	005-400401	1	2900 psi spring (red)
	005-400402	1	3650 psi spring (blue)
11	005-150017	1	Stem guide union
12	005-000102	2	Back-up ring
13	005-060113	1	O-ring 2031 viton
14	005-160506	1	Stem
15	005-160301	1	ø 3 x 12 mm spring pin
16	005-000101	2	Back-up ring
17	001-060124	1	O-ring 2050 viton
18	005-020020	1	Body AISI 316
20	001-060130	1	O-ring 2043 viton
21	001-160205	1	ø 7 seat
22	001-160004	1	ø 11/32 ball
23	005-100014	1	Ball spring
24	005-150015	1	Seat union
	005-650202	13	Repair kit



AL637, AL638