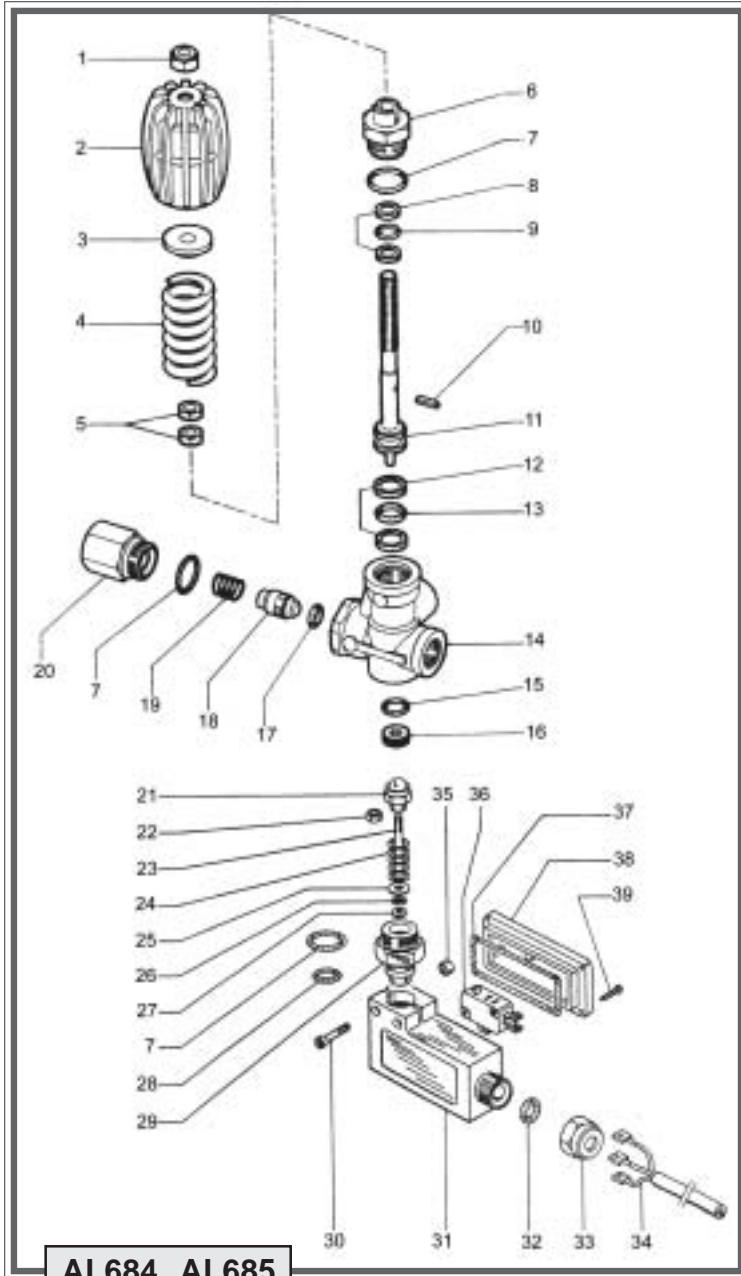


## “VRL” Valve with Pressure Switch



POS	CODE	QTY	DESCRIPTION
1	005-030101	1	M8 lock nut
2	031-400304	1	Knob
3	005-150101	1	Washer
4	005-400401	1	2900 psi spring
5	005-400402	1	3650 psi spring
6	005-030200	2	M8 nut
7	005-150011	1	Stem guide union
8	005-060108	3	O-ring 2068 70SH
9	005-000102	2	Back-up ring
10	005-060106	1	O-ring 2031 70SH
11	005-160301	1	∅ 3 x 12 mm spring pin
12	030-160515	1	Stem
13	030-000125	2	Back-up ring
14	102-060115	1	O-ring 3043 70SH
15	031-020085	1	3/8 FEM. GAS. body
16	001-060129	1	O-ring 2043 90SH
17	001-160200	1	∅ 7 seat
18	005-060109	1	O-ring 6312 90SH
19	005-120000	1	Shutter
20	005-100002	1	Shutter spring
21	005-150010	1	3/8 FEM. GAS check connector
22	005-150087	1	3/8 FEM. NPT check connector
23	005-650409	1	Frame with ball
24	108-030208	1	Brass M4 nut
25	108-130007	1	M4 nut
26	005-100003	1	Spring
27	108-150111	1	∅ 4 x 10 x 1,5 washer
28	002-060103	1	O-ring AD 36 70SH
29	001-000100	1	Back-up ring
30	108-060136	1	O-ring 3043 70SH
31	108-150043	1	M 20 x 1,5 nipple
32	108-190100	2	M4 x 22 screw
33	108-160128	1	Body
34	108-060144	1	O-ring 2-203 70SH
35	108-060020	1	Ring nut
36	108-020401	1	1200 mm (47") cable - 3 ways
37	004-030205	2	M4 nut
38	108-080300	1	Switch
39	108-060137	1	O-ring 2175 70SH
	108-020104	1	Cover
	108-190004	4	∅ 2,2 x 9,5 screw
	<b>030-650214</b>	<b>17</b>	<b>Repair kit</b>