

FEATURES

- Built-in Pressure Trapping Unloader and Fixed Injector
- Next Generation Packings for Exceptional Seal Life
- Solid White Ceramic Plungers
- Direct-Drive for convenience and Durability
- Oversized Connecting Rods



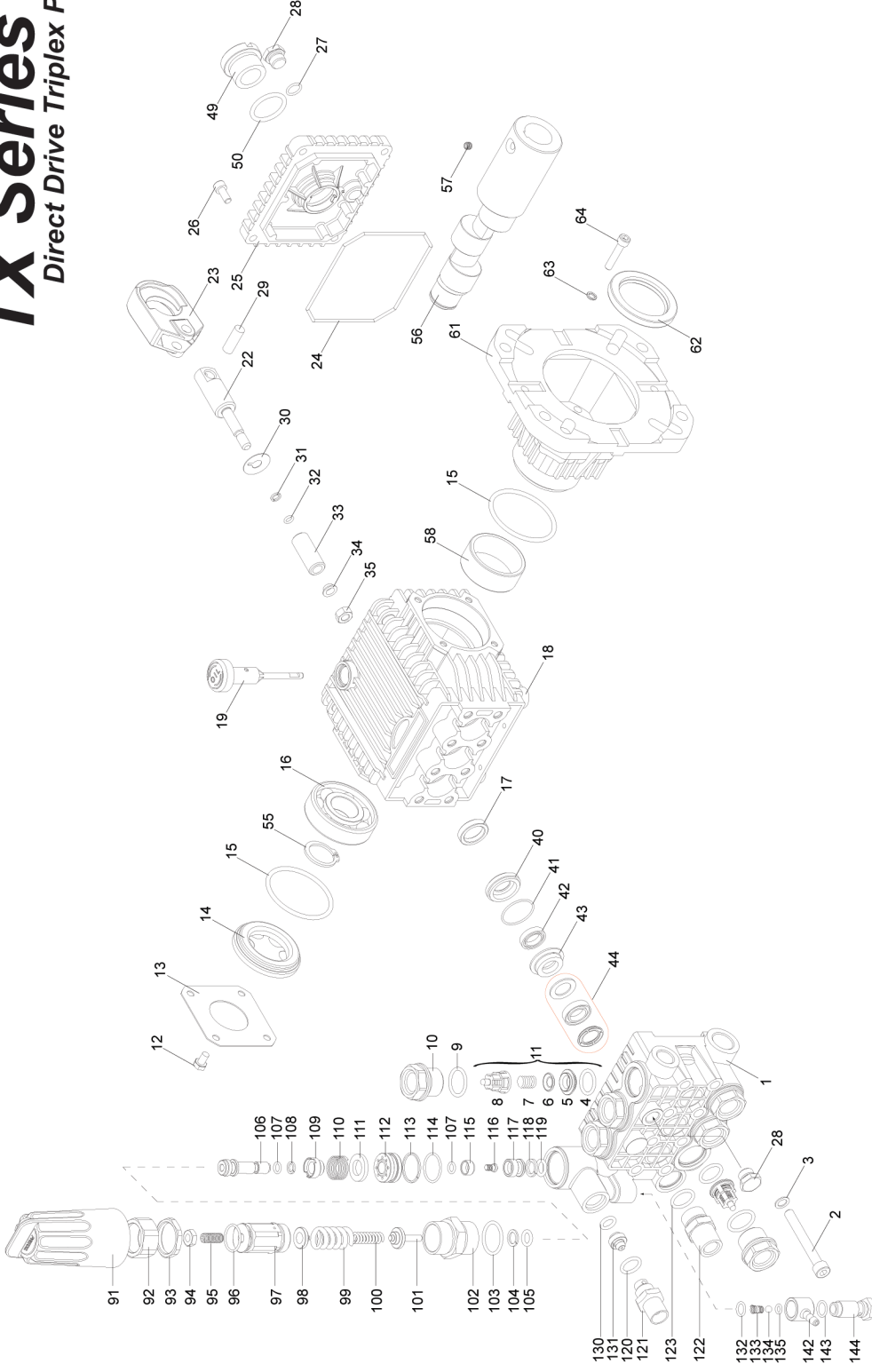
SPECIFICATIONS*

Pump Model	TX1508G8UIA	TX1509G8UIA	TX1510G8UIA
Maximum Volume	3.0 GPM	3.5 GPM	4.0 GPM
Maximum Pressure	3500 PSI	3500 PSI	3500 PSI
Maximum RPM	3400 RPM		
Maximum Inlet Pressure	125 PSI		
Minimum Positive Inlet Pressure	3 ft (2.6 in Hg)		
Maximum Fluid Temperature	165° F		
Bore (in / mm)	.591 in / 15mm		
Stroke (in / mm)	.315 in / 8mm	.355 in / 9 mm	.394 in / 10 mm
Oil Capacity	14.0 oz		
Inlet Port Thread	1/2" NPT - M		
Discharge Port Thread	3/8" NPT - M		
Shaft Diameter	1" - Hollow		
Motor Flange	J609-b		
Weight	18.2 lb		
Dimensions - Nominal	10.1 x 9.6 x 10.4		

*Dimensions and/or specifications subject to change without notice

TX Series 63 UI

Direct Drive Triplex Plunger Pump



REPAIR KITS

Kit No.	K123	K124	K159	K160	K162	K164	K166	K137	K235	K236	K237
Items included in kit	4-8 (11)	9, 10	17	42, 44	40	43	40-44	104-119	91-103	91-119	132-144
Pcs. in kit	6	6	3	3	3	3	1	1	1	1	1

TORQUE SPECS*

Item	Ft/lb	Nm
2	14.7	20
10	73.7	100
12	7.3	10
26	7.3	10
28	14.7	20
35	11.0	15
64	7.3	10
121	29.5	40
122	29.5	40

*Decrease torque by 20% if threads are lubricated.



GENERAL PUMP

PART LIST

Item	Part no.	Description	Qty	Item	Part no.	Description	Qty	Item	Part no.	Description	Qty
1	63120741	Manifold, 15 mm, LH (NPT)	1	43	63216070	Int. Ring, 15mm	3	106	36323470	Sleeve	1
2	99319200	Screw, M8 x 65	8	44	90261200	Packing Assy, 15mm	3	107	90357500	O-ring	2
3	96701400	Lockwasher, M8.4	8	49	63210051	Oil Level Indicator	1	108	90502500	Anti-Ext ring	1
4	701115	O-ring	6	50	90405100	O-ring	1	109	36323070	Spacer	1
5	36200366	Valve Seat	6	55	90063500	Retaining Ring	1	110	94748500	Spring	1
6	36200176	Valve Plate	6	56	63028065	Crankshaft, 8mm (1")	1	111	36323151	Valve	1
7	94737600	Spring	6		63028265	Crankshaft, 9mm (1")		112	36322970	Valve guide	1
8	36202551	Valve Cage	6		63028465	Crankshaft, 10mm (1")		113	90360000	O-ring	1
9	701002	O-ring	6	57	99179000	Screw, M6 x 6	1	114	90514400	Anti-Ext ring	1
10	98222600	Valve Cap	6	58	91856800	Roller bearing	1	115	36319066	Spherical valve	1
11	36711501	Valve Assembly	6	61	10051822	Flange 1", gas engine	1	116	99150900	Screw	1
12	99180700	Screw, M6 x 10	8	62	90169000	Oil Seal	1	117	36316466	Seat	1
13	50150074	Bearing Cover	1	63	96693800	Washer	4	118	701614	O-ring	1
14	44211801	Oil Level Indicator	1	64	99191200	Screw, M6 x 30	4	119	90506500	Anti-Ext ring	1
15	90409700	O-ring	2	91	36322151	Handle (Black)	1	120	90383200	O-ring	1
16	91833100	Ball Bearing	1	92	36318670	Locking sleeve	1	121	10065170	Nipple, Disch - 3/8" NPT-M	1
17	90159500	Oil Seal	3	93	92293500	Locking nut	1	122	36333370	Inlet Fitting	1
18	63010022	Crankcase	1	94	92221800	Nut	1	123	90384100	O-ring	1
19	98210300	Oil Dip Stick	1	95	99305400	Set screw	1	130	701614	O-ring	1
22	63050066	Plunger Guide	3	96	701019	O-ring	1	131	10007666	Nozzle 2.2mm	1
23	63030022	Connecting Rod	3	97	36318570	Regulator knob	1	132	701012	O-ring	1
24	90392000	O-ring, Cover	1	98	36316970	Spring seat	1	133	94821700	Conical spring	1
25	63160022	Rear Crankcase Cover	1	99	94743800	Spring (3500 PSI)	1	134	97478200	Ball	1
26	99183700	Screw, M6 x 14	4	100	94734500	Spring	1	135	701501	O-ring	1
27	701013	O-ring	1	101	36323370	Stem	1	142	36260451	Fixed Injector	1
28	98204100	Plug, 1/4" G	2	102	36333270	Guide (nickel plated)	1	143	701013	O-ring	1
29	97733500	Connecting Rod Pin	3	103	90385700	O-ring	1	144	36256370	Banjo bolt, Injector	1
30	96707500	Flinger Washer	3	104	90505200	Anti-Ext ring	1				
31	660024	Anti-extrusion Ring	3	105	90382000	O-ring	1				
32	701009	O-ring	3								
33	52040009	Ceramic Plunger, 15mm	3								
34	44211570	Bushing	3								
35	92221600	Nut, M8	3								
40	63080070	Seal Retn'r, 15mm	3								
41	90360800	O-ring	3								
42	90260800	Seal, LP, 15mm	3								

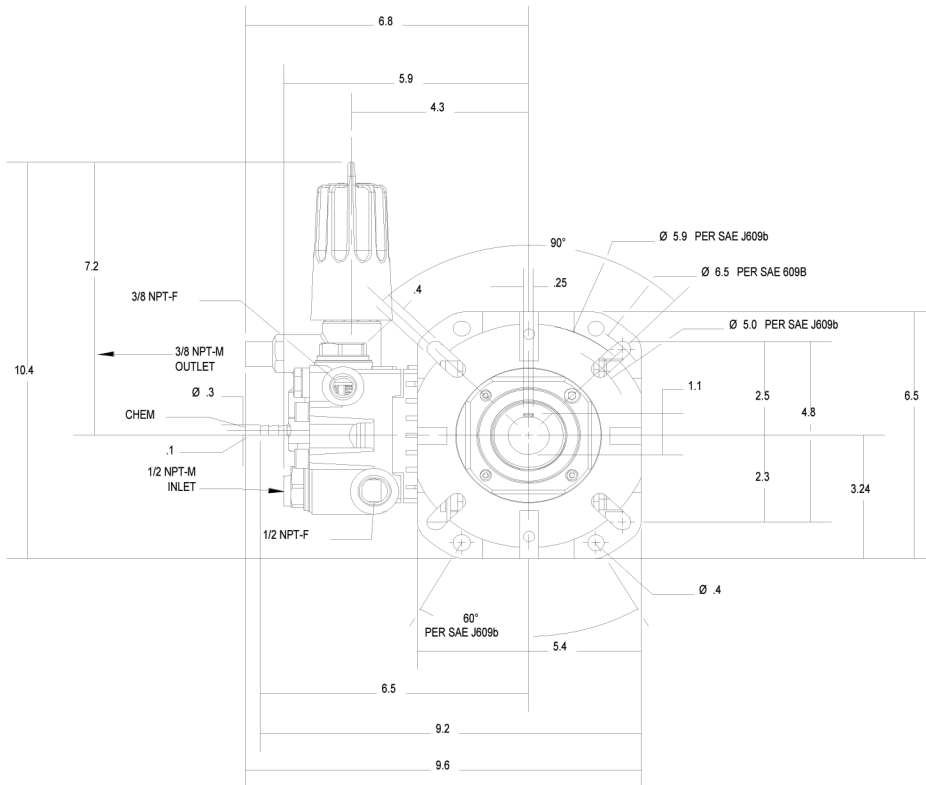
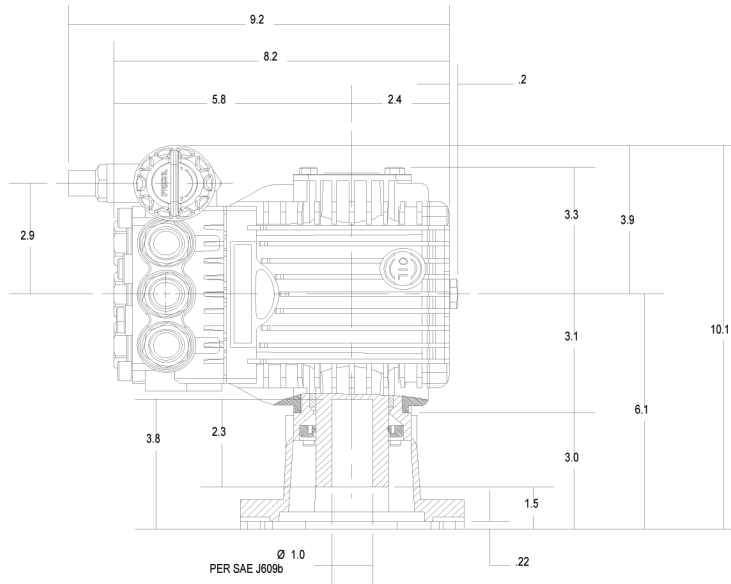
TX Series 63 UI

Direct Drive Triplex Plunger Pump



DIMENSIONS* (INCHES)

J609b Models



TX510G8UIA