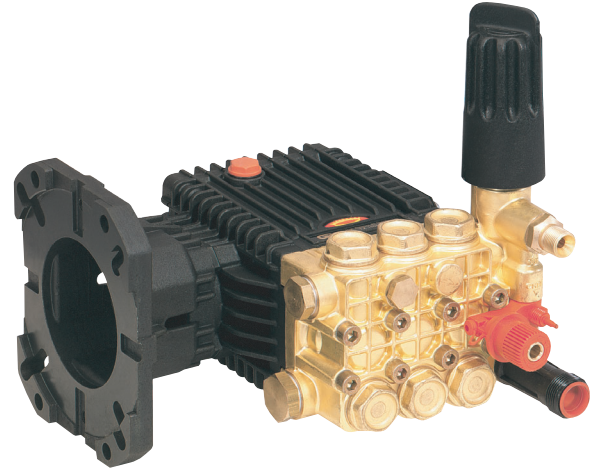


FEATURES

- Built-in Pressure Trapping Unloader and Injector
- Next Generation Packings for Exceptional Seal Life
- Solid White Ceramic Plungers
- Direct-Drive for convenience and Durability
- Oversized Connecting Rods



SPECIFICATIONS

Pump Model	TX1506G6UIL	TX1508G8UIL	TX1509G8UIL	TX1510G8UIL
Maximum Volume	2.6 GPM	3.0 GPM	3.5 GPM	4.0 GPM
Maximum Pressure	3000 PSI			
Maximum RPM	3400 RPM			
Maximum Inlet Pressure	125 PSI			
Minimum Inlet Pressure	3 ft (2.6 in Hg)			
Maximum Fluid Temperature	165° F			
Bore (in / mm)	.591 in / 15mm			
Stroke (in / mm)	.256 in / 6.5 mm	.315 in / 8 mm	.355 in / 9 mm	.394 in / 10 mm
Oil Capacity	14.0 oz			
Inlet Port Thread	1/2"-14 BSP-F			
Discharge Port Thread	3/8"-19 BSP-F			
Shaft Diameter	3/4" - Hollow	1" - Hollow		
Motor Flange	J609-a	J609-b		
Weight	18.2 lb			
Dimensions - Nominal	11.3 x 9.5 x 9.1			

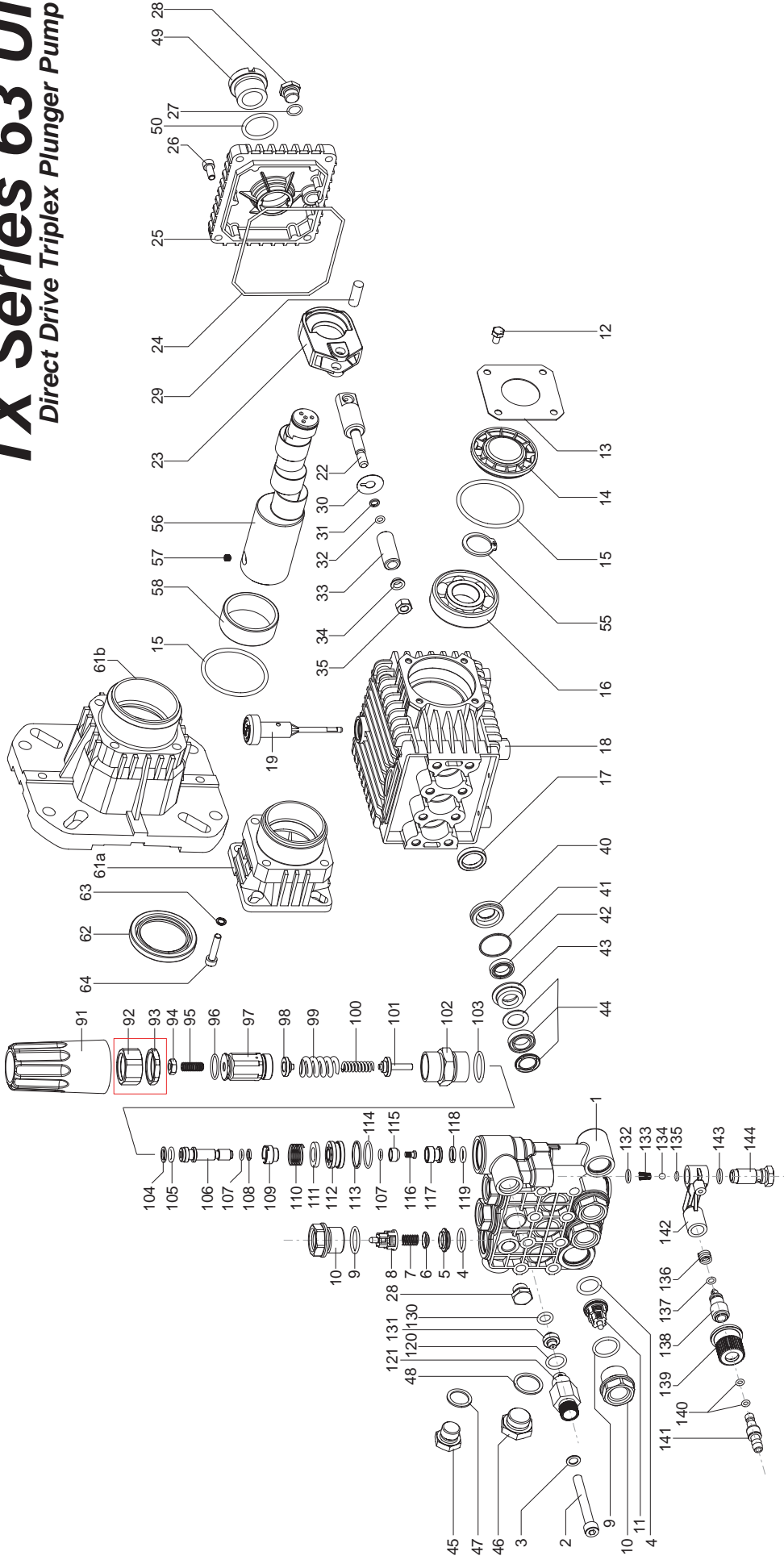
PERFORMANCE*

Pump Model	TX1506G6UIL	TX1508G8UIL	TX1509G8UIL	TX1510G8UIL
Recommended Nozzle Size	#3.0	#3.5	#4.0	#4.5
PSI at Recommended Nozzle	3000	3000	3000	3000
PSI at .5 Size Larger	2200	2250	2400	2400
PSI at 1.0 Size Larger	1650	1750	1950	2000
PSI at 1.5 Sizes Larger	1300	1400	1600	1750
PSI at 2.0 Sizes Larger	1050	1150	1350	1500

* Values are theoretical. Actual performance may vary slightly depending on conditions

TX Series 63 UI

Direct Drive Triplex Plunger Pump



REPAIR KITS

Kit No.	K137	K123	K124	K94	K159	K160	K162	K164	K166
Items included in kit	104-119	4-8 (11)	9, 10	120, 130 132-137, 140, 143	17	42, 44	40	43	40-44
Pcs. in kit	1	6	6	1	3	3	3	3	1

TORQUE SPECS*

Item	Ft/lb	Nm
2	14.7	20
10	73.7	100
12	7.3	10
26	7.3	10
28	14.7	20
35	11.0	15
45	29.4	40
46	29.4	40
64	7.3	10

*Decrease torque by 20% if threads are lubricated.



PART LIST

Item	Part no.	Description	Qty	Item	Part no.	Description	Qty	Item	Part no.	Description	Qty
1	63120041	Manifold, 15 mm	1	43	63216070	Int. Ring, 15mm	3	106	36323470	Sleeve	1
2	99319200	Screw, M8 x 65	8	44	90261200	Packing Assy, 15mm	3	107	90357500	O-ring	2
3	96701400	Lockwasher, M8.4	8	45	98210000	Plug, 3/8" G	1	108	90502500	Anti-Ext ring	1
4	701115	O-ring	6	46	98217600	Plug, 1/2" G	1	109	36323070	Spacer	1
5	36200366	Valve Seat	6	47	96738000	Washer, M17.5	1	110	94748500	Spring	1
6	36200176	Valve Plate	6	48	96751400	Washer, M21.5	1	111	36323151	Valve	1
7	94737600	Spring	6	49	63210051	Oil Level Indicator	1	112	36322970	Valve guide	1
8	36202551	Valve Cage	6	50	90405100	O-ring	1	113	90360000	O-ring	1
9	701002	O-ring	6	55	90063500	Retaining Ring	1	114	90514400	Anti-Ext ring	1
10	98222600	Valve Cap	6	56	63026465	Crankshaft, 6.5mm (3/4")	1	115	36319066	Spherical valve	1
11	36711501	Valve Assembly	6		63028065	Crankshaft, 8mm (1")		116	99150900	Screw	1
12	99180700	Screw, M6 x 10	8		63028265	Crankshaft, 9mm (1")		117	36316466	Seat	1
13	50150074	Bearing Cover	1		63028465	Crankshaft, 10mm (1")		118	701614	O-ring	1
14	44211801	Oil Level Indicator	1	57	99179000	Screw, M6 x 6	1	119	90506500	Anti-Ext ring	1
15	90409700	O-ring	2	58	91856800	Roller bearing	1	120	90383200	O-ring	1
16	91832900	Ball Bearing	1	61a	10061722	Flange 3/4", gas engine	1	121	10007870	Nipple, Disch - 3/8"G-M	1
17	90159500	Oil Seal	3	61b	10051822	Flange 1", gas engine	1		10014770	Nipple, Disch - M22 (opt)	
18	63010022	Crankcase	1	62	90169000	Oil Seal	1	130	701614	O-ring	1
19	98210300	Oil Dip Stick	1	63	96693800	Washer	4	131	10015166	Nozzle 2.0mm (2.1-3.0)	1
22	63050066	Plunger Guide	3	64	99191200	Screw, M6 x 30	4		10007666	Nozzle 2.2mm (3.1- 4.5)	
23	63030022	Connecting Rod	3	91	36318751	Handle (Red)	1	132	701012	O-ring	1
24	90392000	O-ring, Cover	1	92	36318670	Locking sleeve (opt. w/93)	1	133	94821700	Conical spring	1
25	63160022	Rear Crankcase Cover	1	93	92293500	Locking nut (opt. w/92)	1	134	97478200	Ball	1
26	99183700	Screw, M6 x 14	4	94	92221800	Nut	1	135	701501	O-ring	1
27	701013	O-ring	1	95	99305400	Set screw	1	136	94738300	Spring	1
28	98204100	Plug, 1/4" G	2	96	701019	O-ring	1	137	701612	O-ring	1
29	97733500	Connecting Rod Pin	3	97	36318570	Regulator knob	1	138	36256470	Shutter	1
30	96707500	Flinger Washer	3	98	36316970	Spring seat	1	139	36256551	Knob	1
31	660024	Anti-extrusion Ring	3	99	94743600	Spring (3000 PSI)	1	140	701008	O-ring	2
32	701009	O-ring	3	100	94734500	Spring	1	141	36256670	Hose barb	1
33	52040009	Ceramic Plunger, 15mm	3	101	36323370	Stem	1				
34	44211570	Bushing	3	102	36322870	Guide bushing	1				
35	92221600	Nut, M8	3	103	90385700	O-ring	1				
40	63080070	Seal Rein'r, 15mm	3	104	90505200	Anti-Ext ring	1				
41	90360800	O-ring	3	105	90382000	O-ring	1				
42	90260800	Seal, LP, 15mm	3								

TX Series 63 UI

Direct Drive Triplex Plunger Pump



