

FEATURES

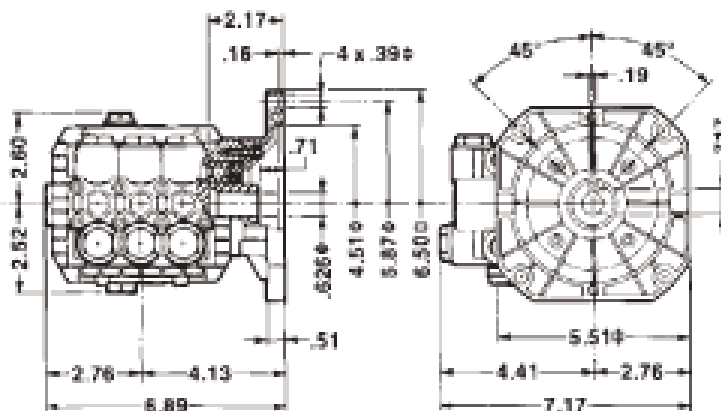
- Forged brass manifold with exclusive lifetime warranty
- Die-cast anodized aluminum, oil-bath crankcase
- Solid ceramic plungers with continuously lubricated packings
- The original Interpump unitized, stainless steel, K01 inlet and outlet valves
- Ideal for all general cleaning, RO and misting applications
- Comes standard with NEMA 56C electric motor mounting flange
- Also available in "L" left-handed versions



SPECIFICATIONS

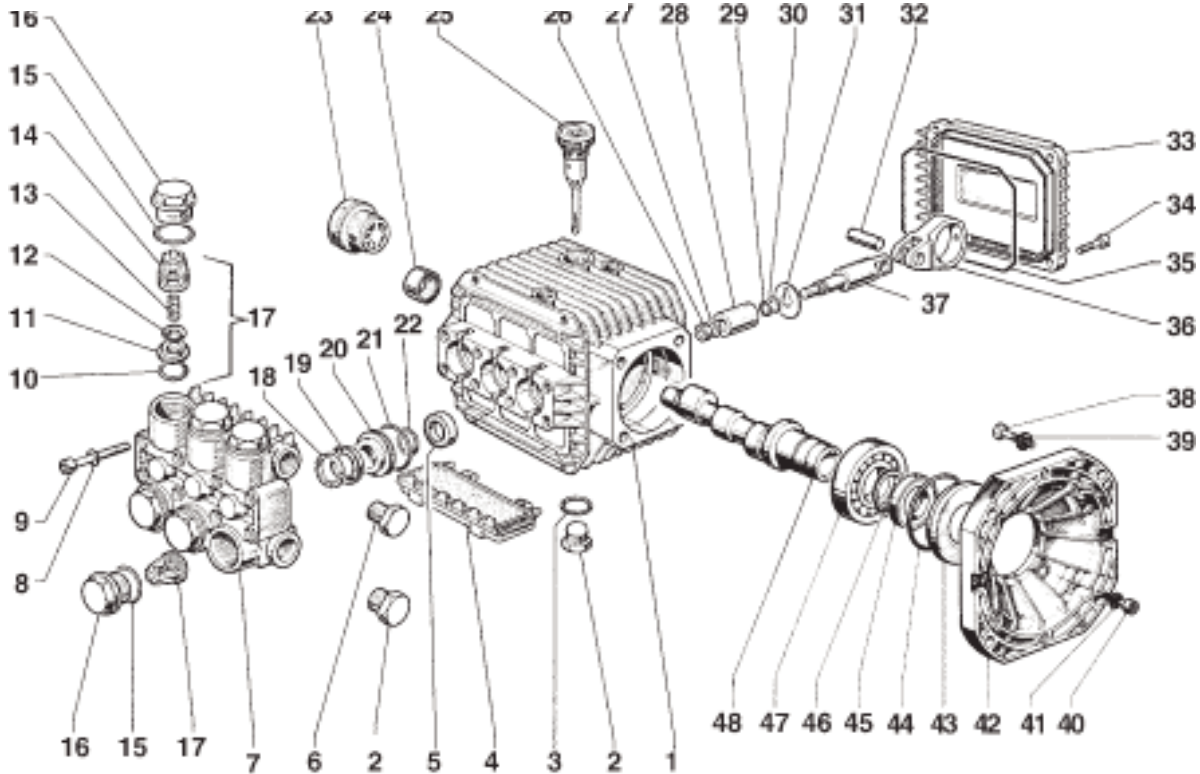
Pump Model	TT15025EBF	TT1505EBF
Maximum Volume	0.25 GPM	0.5 GPM
Maximum Discharge Pressure	1500 PSI	
Maximum Pump Speed	1750 RPM	
Maximum Inlet Pressure	125 PSI	
Minimum Inlet Pressure	3 ft. water (2.6 in. Hg)	
Plunger Bore (in / mm)	.591 in. / 15 mm	.709 in. / 18 mm
Plunger Stroke (in / mm)	.079 in. / 2 mm	
Oil Capacity	11.2 oz.	
Maximum Fluid Temperature	165°F	
Inlet Port Thread	3/8-19 BSPP-F	
Discharge Port Thread	1/4-19 BSPP-F	
Shaft Diameter	5/8 in. / 16 mm	
Weight	11.5 lbs.	
Dimensions	7.0" x 7.2" x 5.5"	

DIMENSIONAL DRAWING



TT Series 51, EBF

GENERAL PUMP *A member of the Interpump Group*



PARTS LIST

ITEM	PART NO.	DESCRIPTION	KIT NO.	QTY.	ITEM	PART NO.	DESCRIPTION	KIT NO.	QTY.	ITEM	PART NO.	DESCRIPTION	KIT NO.	QTY.
1.	51010622	Crankcase		1	17.	36703201	Valve Assembly		6	34.	99186700	Screw, M6 x 18		4
2.	98210000	Plug, 3/8-BSPP		2	18.	51100051	Head Ring, 15 mm		3	35.	90391700	Gasket		1
3.	90383300	O-ring		1	19.	90262000	Packing		3	36.	51030022	Connecting Rod End		4
4.	51209102	Protector		1	20.	51080070	Packing Retainer		3	37.	51050056	Piston Guide		3
5.	90156500	Oil Seal		3	21.	90360400	O-ring		3	38.	99334500	Screw, 3/8-BSPP		4
6.	98204100	Plug		1	22.	90383500	O-ring, 15 mm		3	39.	96710400	Washer, M10, Schnorr		4
7.	51120023	Manifold, Aluminum		1	23.	97596800	Sight Gauge		1	40.	99186700	Screw, M6 x 18		4
8.	51120041	Manifold, Brass		1	24.	91801500	Needle Bearing		1	41.	96693800	Washer, M6.4, Schnorr		4
8.	96693800	Washer, M6.4		12	25.	98210300	Oil Dip Stick		1	42.	10034422	Flange		1
9.	99194300	Screw, M6 x 40		12	26.	92221600	Nut, M8		3	43.	50211551	Spacer		1
10.	90384100	O-ring		6	27.	96700800	Washer, M8		3	44.	90409700	O-ring		1
11.	36200366	Valve Seat		6	28.	51040009	Plunger, 15 mm		3	45.	90164400	Oil Seal		1
12.	36200176	Valve Plate		6	29.	90357200	O-ring		3	46.	90066700	Snap Ring		1
13.	97437600	Spring		6	30.	90502200	Back-up Ring		3	47.	20283521	Bearing		1
14.	36200251	Valve Cage		6	31.	96707000	Washer, Flinger		3	48.	51022265	Crankshaft		1
15.	90384700	O-ring		6	32.	97731000	Connecting Rod Pin		3					
16.	98221800	Valve Cap		6	33.	51160022	Crankcase Cover		1					

REPAIR KITS

KIT NO.	1	83	84	86 (15 mm)	96 (15mm)	97 (15mm)	139 (18mm)	140 (18mm)	141 (18mm)
ITEM NO's INCLUDED IN KIT	10, 11, 12, 6, 7, 8 (17)	5	15, 16	20, 21, 22	18, 19, 20, 21, 22	18, 19, 21, 22	20, 21, 22	18, 19, 20, 21, 22	18, 19, 21, 22
NUMBER OF ASSEMBLIES IN KIT	6	3	6	3	1	3	3	1	3
NUMBER OF CYLINDERS KIT WILL SERVICE	3	3	3	3	1	3	3	1	3

TORQUE SPECS*

Position	Ft. Lbs.
2	29.4
6	14.7
9	8.8
16	33.1
23	13.2
26	11.0
34	7.3
38	22.1
40	7.3
49	14.7
52	7.3

* Decrease torque by 20% if threads are lubricated

