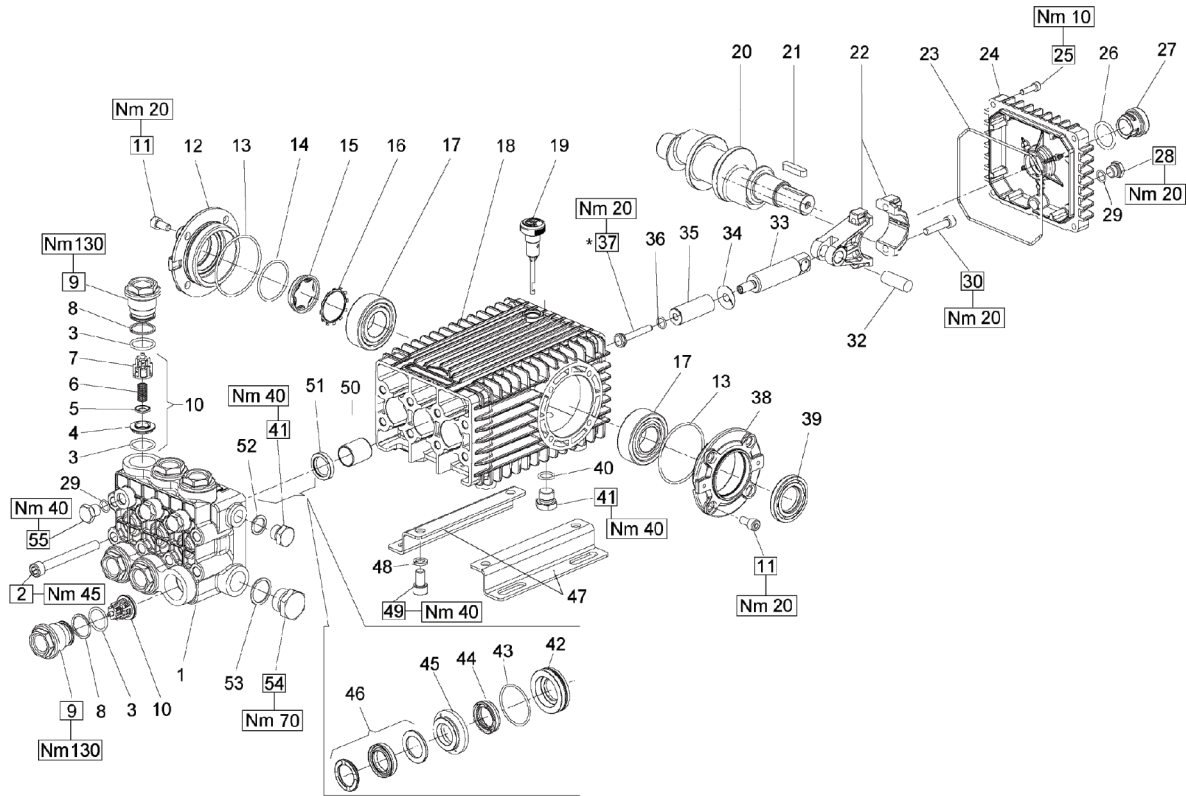


66 Series, TSF

GENERAL PUMP *A member of the Interpump Group*



PARTS LIST

POS.	PART NO.	DESCRIPTION	QTY.	POS.	PART NO.	DESCRIPTION	QTY.	POS.	PART NO.	DESCRIPTION	QTY.
1	66124541	Manifold, Ø 18mm	1	23	90392200	O-ring, Ø133.02x2.62	1	43	90361600	O-ring, Ø 34.65x1.78	3
	66120041	Manifold, Ø 20mm	1	24	66160022	Rear Cover	1	44	90265200	LP Seal, Ø 18mm	3
	66120141	Manifold, Ø 22 mm	1	25	99188400	Screw, M6x20	4		90269000	LP Seal, Ø 20mm	3
	66120241	Manifold, Ø 24mm	1	26	90405100	O-ring, 26.58x3.53	1		90271500	LP Seal, Ø 22mm	3
	66124641	Manifold, Ø 28mm	1	27	63210051	Oil Level Indicator	1		90273800	LP Seal, Ø 24mm	3
2	99380100	Headbolt M10 x 90	8	28	98204100	Plug, G1/4"x9	1	45	90275300	LP Seal, Ø 28mm	3
3	90385700	O-ring, Ø 23.81x2.62	12	29	701013	O-ring, Ø .426x.070	4		66216370	Intermediate Ring, Ø 18mm	3
4	36203366	Valve Seat	6	30	99309900	Screw, M8x35	6		66216070	Intermediate Ring, Ø 20mm	3
5	36203476	Valve Poppet	6	32	97740500	Wrist Pin, 14x39	3		66216170	Intermediate Ring, Ø 22mm	3
6	94738800	Valve Spring Ø10x18x18.5	6	33	66050064	Piston Guide	3		66216470	Intermediate Ring, Ø 24mm	3
7	36203551	Valve Guide	6	34	96710100	Flinger Washer	3		66220070	Intermediate Ring, Ø 28mm	3
8	90516500	Anti-ext ring Ø24.7x29x1.5	6	35	66040309	Plunger, Ø 18mm	3	46	90265500	HP Seal, Ø 18mm	3
9	66130041	Plug, M32x1.5x29.5	6		66040009	Plunger, Ø 20mm	3		90269200	HP Seal, Ø 20mm	3
10	36712701	Valve Assy., Complete	6		66040109	Plunger, Ø 22 mm	3		90271700	HP Seal, Ø 22mm	3
11	99303900	Screw M8 x 16	8		66040409	Plunger, Ø 24mm	3		90274100	HP Seal, Ø 24mm	3
12	47151222	Cover	1		66041009	Plunger, Ø 28mm	3		90275400	HP Seal, Ø 28mm	3
13	90391300	O-ring, Ø67.95x2.62	2	36	90358400	O-ring, Ø 10.82x1.78	3	47	47200074	Pump Rail	2
14	90387700	O-ring, Ø 39.34x2.62	1	37	66219566	Plunger Bolt	3	48	96710600	Washer M10	4
15	70211801	Oil Sight Glass	1	38	47151022	Side Cover, PTO	1	49	99364400	Screw M10 x 18	4
16	90075600	Retainer Clip	1	39	90164800	Seal, Shaft	1	50	90912600	Guide Bushing	3
17	91838000	Bearing	2	40	90383300	O-ring, Ø 13.95x2.62	1	51	90162500	Seal, Plunger Rod	3
18	66010022	Crankcase	1	41	98210000	Plug 3/8 x 13	2	52	96738000	Gasket, Aluminum 3/8"	1
19	98210600	Dipstick, vented	1	42	66080370	Seal Retainer, Ø 18mm	3	53	96770000	Washer	1
20	66021035	Crankshaft, 18mm Stroke			66080070	Seal Retainer, Ø 20mm	3	54	98226800	Plug, G3/4"x16	1
	66020035	Crankshaft, 19mm Stroke	1		66080170	Seal Retainer, Ø 22mm	3	55	98204300	Plug 1/4" x 13	3
	66020435	Crankshaft, 21mm Stroke	1		66080470	Seal Retainer, Ø 24mm	3				
21	91489200	Key, 9x7x35	1		66082570	Seal Retainer, Ø 28mm	3				
22	66030001	Connecting Rod, Complete	3								

REPAIR KITS

KIT NO.	K02	K03	K169	K180 (18mm)	K176 (18mm)	K170 (20mm)	K171 (20mm)	K172 (22mm)	K173 (22mm)	K181 (24 mm)	K182 (24mm)	K248 (28mm)	K247 (28mm)
POS. NO's INCLUDED IN KIT	51	39	3, 4, 5, 6, (10)	44, 46	42, 43, 44, 45, 46	44, 46	42, 43, 44, 45, 46	44, 46	42, 43, 44, 45, 46	44, 46	42, 43, 44, 45, 46	44, 46	42, 43, 44, 45, 46
NUMBER OF ASSEMBLIES IN KIT	3	1	6	3	1	3	1	3	1	3	1	3	1
NUMBER OF CYLINDERS KIT WILL SERVICE	3	N/A	3	3	1	3	1	3	1	3	1	3	1