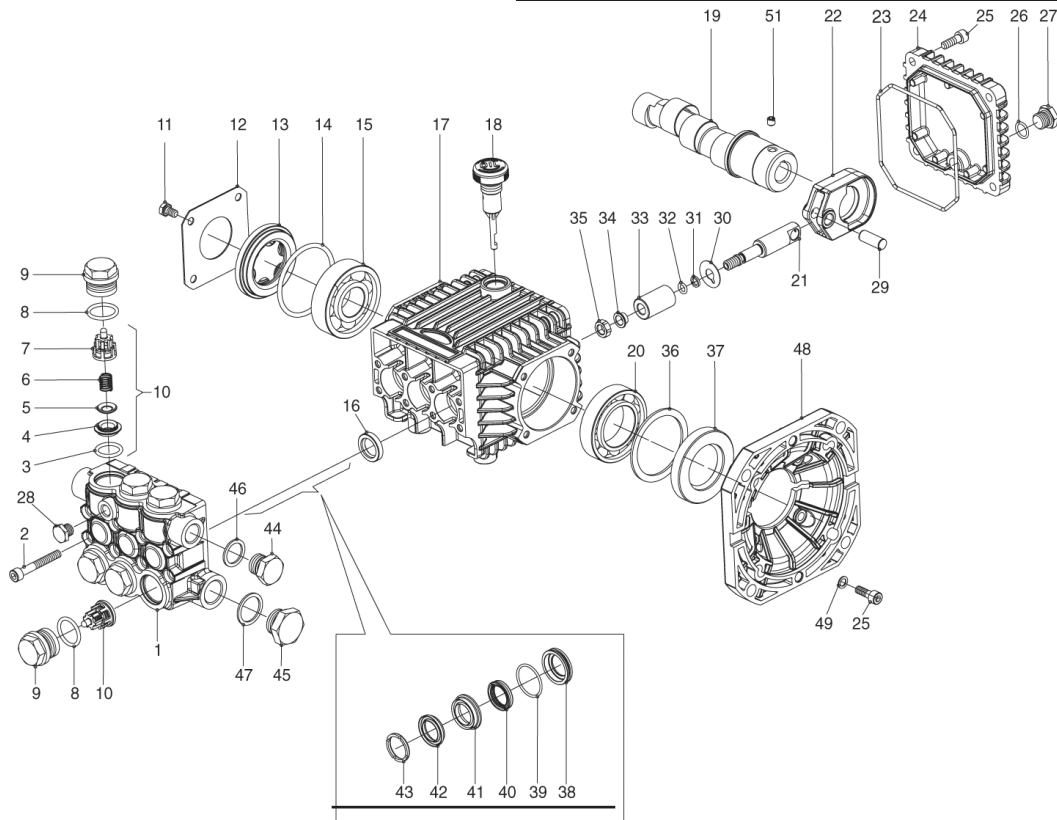


TC Series "60"

GENERAL PUMP *A member of the Interpump Group*



PARTS LIST

ITEM	PART NO.	DESCRIPTION	KIT NO.	QTY.	ITEM	PART NO.	DESCRIPTION	KIT NO.	QTY.	ITEM	PART NO.	DESCRIPTION	KIT NO.	QTY.
1.	60120041	Manifold, 15 mm		1	19.	60022965	Crankshaft, TC1507E345		1	36.	60210189	Spacer		1
	60120141	Manifold, 18 mm		1		60023165	Crankshaft, TC1508E175		1	37.	90167500	Oil Seal		1
2.	99195000	Screw, M6 x 45		8		60023465	Crankshaft, TC1509E175, TC1809E175		1	38.	60080070	Seal, LP, 15mm	200,226	3
3.	90384100	O-ring	123	6	20.	91846400	Bearing		1		60080170	Seal, LP, 18mm	225,227	3
4.	36200366	Valve Seat	123	6	21.	60050066	Plunger Guide		3	39.	90360400	O-ring	200,225,226,227	3
5.	36200176	Valve	123	6	22.	60030022	Connecting Rod		3	40.	90260800	Seal, LP, 15 mm	196,226	3
6.	94737600	Spring	123	6	23.	90391800	O-ring, Cover		1		90265000	Seal, LP, 18mm	197,227	3
7.	36202551	Valve Cage	123	6	24.	60160022	Rear Crankcase Cover		1	41.	60216070	Intermediate Ring, 15	198,226	3
8.	90384700	O-ring		6	25.	99186700	Screw, M6 x 18		8		60216170	Intermediate Ring, 18	199,227	3
9.	98221400	Valve Cap		6	26.	90358500	O-ring		1	42.	90262000	Seal, HP, 15mm	196,226	3
10.	36711501	Valve Assembly	123	6	27.	98204100	Plug, 1/4" G		1		90268100	Seal, HP, 18mm	197,227	3
11.	99180700	Screw, M6 x 10		4	28.	98196600	Plug, 1/8" G		1	43.	51100051	Head Ring, 15mm	196,226	3
12.	50150074	Bearing Cover		1	29.	97733300	Wrist Pin		3		51100151	Head Ring, 18mm	197,227	3
13.	44211801	Oil Level Indicator		1	30.	96707000	Washer		3	44.	98210000	Plug, 3/8"		1
14.	90409700	O-ring		1	31.	90502200	Anti-ext. Ring		3	45.	98217600	Plug, 1/2"		1
15.	91832800	Ball Bearing		1	32.	90357300	O-ring		3	46.	96738000	Gasket, Alum., 3/8"G		1
16.	90156500	Oil Seal	83	3	33.	60040009	Ceramic Plunger, 15mm		3	47.	96751400	Gasket, Alum., 1/2"G		1
17.	60010022	Crankcase		1		60040109	Ceramic Plunger, 18mm		3	48.	10034422	Flange		1
18.	98210300	Oil Dip Stick		1	34.	44211570	Bushing		3	49.	96693800	Washer		4
19.	60022465	Crankshaft, TC1505E345		1	35.	92221600	Nut, M8		3	51.	99179000	Screw, M6		1
	60022765	Crankshaft, TC1506E345		1										

REPAIR KITS

KIT NO.	K83	K123	K196 or K197 (15mm) (18mm)	K198 or K199 (15mm) (18mm)	K200 or K225 (15mm) (18mm)	K226 or K227 (15mm) (18mm)
ITEM NO's INCLUDED IN KIT	16	3, 4, 5, 6, 7 (10)	40, 42, 43	41	38, 39	38, 39, 40, 41, 42, 43
NUMBER OF ASSEMBLIES IN KIT	3	6	3	3	3	1
NUMBER OF CYLINDERS KIT WILL SERVICE	3	3	3	3	3	1

TORQUE SPECS*

Pos.	Ft/lb	Nm
2	8.8	12
9	59.0	80
11	7.4	10
25	7.4	10
27	14.7	20
28	9.6	13
35	11.1	15
44	29.5	40
45	29.5	40

* Decrease torque by 20% if threads are lubricated