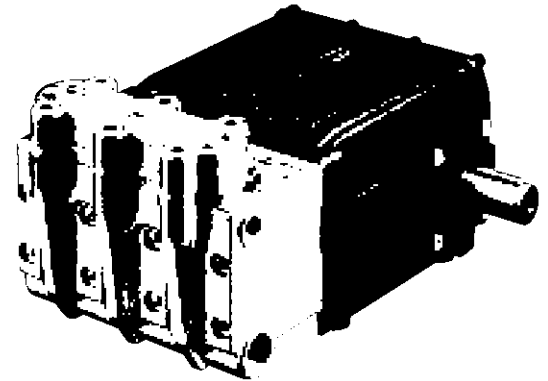


FEATURES

- The industry's choice for high-pressure applications
- Forged brass manifold with an exclusive lifetime warranty
- Large-capacity, die-cast, anodized aluminum oil-bath crankcase
- Over-sized connecting rods for maximum life
- Heavy-duty tapered roller bearing.
- Solid ceramic plungers with continuously lubricated packings
- Unitized stainless steel inlet and discharge valves

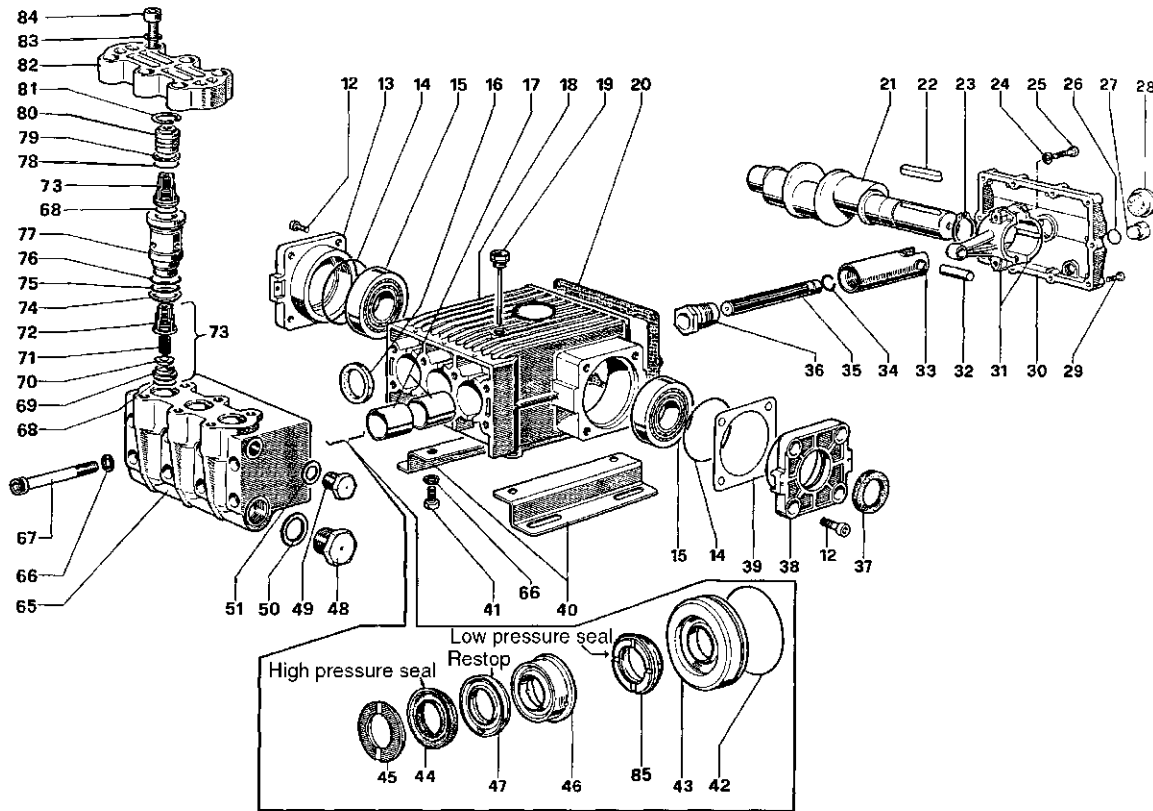


SPECIFICATIONS

Pump Model	T4251-N
Maximum Volume	6.6 GPM
Maximum Discharge Pressure	5800 PSI
Maximum Pump Speed	1000 RPM
Maximum Inlet Pressure	125 PSI
Maximum Inlet Vacuum	7 ft. water (6.2 in. Hg)
Bore	.787 in. / 20 mm
Stroke	1.102 in. / 28 mm
Crankcase Oil Capacity	91 oz.
Maximum Fluid Temperature	165°F
Inlet Port Thread	1" NPT-F
Discharge Port Thread	1/2" NPT-F
Shaft Diameter.	1.378 in. / 35 mm
Weight	101 lbs.
Dimensions	15.6 x 14.0 x 9.5 in.

T Series 76 – 20 mm bore

GENERAL PUMP *A member of the Interpump Group*



PARTS LIST

ITEM PART NO.	DESCRIPTION	KIT NO.	QTY.	ITEM PART NO.	DESCRIPTION	KIT NO.	QTY.	ITEM PART NO.	DESCRIPTION	KIT NO.	QTY.
12	99.3652.00 Screw		8	32	97.7400.00 Plunger Pin		3	65	61.1202.41 Manifold		1
13	76.1501.22 Cover		1	33	61.0500.66 Plunger Guide		3	66	96.7195.00 Washer		12
14	90.4141.00 O-Ring		2	34	90.0115.00 Cir-Clip		3	67	99.4465.00 Screw		8
15	91.8474.00 Bearing		2	35	61.0400.56 Plunger (20 mm)		3	68	90.3850.00 O-Ring	122	6
16	90.1670.00 Ring	44	3	36	61.2195.66 Plunger Screw		3	69	36.2024.66 Valve Seat	122	6
17	90.9172.00 Bushing		6	37	90.1672.00 Ring	32	1	70	36.2013.66 Valve	122	6
18	76.0100.22 Crankcase		1	38	76.1500.22 Cover		1	71	94.7394.00 Spring	122	6
19	98.2270.00 Oil Dip Stick		1	39	76.2200.78 Shim		2	72	36.2023.51 Valve Guide	122	6
20	76.2119.84 Cover Gasket		1	40	76.2000.74 Foot		2	73	36.7114.01 Valve Assy.	122	6
21	76.0210.35 Crankshaft		1	41	99.4266.00 Screw		4	74	90.5181.00 Anti-Ext. Ring		3
22	91.4978.00 Key		1	42	90.3903.00 O-Ring	76, 78	3	75	90.4057.00 O-Ring		3
23	90.0695.00 Cir-Clip		1	43	61.0800.70 Packing Retainer	76, 78	3	76	90.3871.00 O-Ring		3
24	96.7104.00 Washer		6	44	90.2705.00 Packing	77, 78	3	77	61.2177.66 Guide		3
25	99.3720.00 Screw		6	45	47.1000.51 Head Ring	7, 78	3	78	90.3855.00 O-Ring		3
26	90.3833.00 O-Ring		2	46	61.2160.70 Intermediate Ring	75, 78	3	79	90.5154.00 Anti-Ext. Ring		3
27	98.2100.00 Cap		2	47	90.2709.00 Ring	77, 78	3	80	61.2176.70 Cap		3
28	97.5968.00 Oil Level Indicator		1	48	98.2325.00 Cap		1	81	90.0670.00 Cir-Clip		3
29	99.1897.00 Screw		10	49	98.2178.00 Cap		1	82	61.2182.41 Valve Cover		1
30	76.1600.22 Crankcase Cover		1	50	96.7870.00 Washer		1	83	96.7300.00 Washer		6
31	76.0303.01 Connecting Rod		3	51	96.7514.00 Washer		1	84	99.4860.00 Screw		6
								85	90.2710.00 Seal, Low Press., 20mm	77, 78	3

REPAIR KITS

KIT NO.	7	32	44	75	76	77	78	122
ITEM NO.s INCLUDED IN KIT	45	37	16	46	42, 43	44, 47, 85	42, 43, 44, 45, 46, 47, 85	68, 69, 70, 71, 72 (73)
NUMBER OF ASSEMBLIES IN KIT	6	2	3	3	3	3	1	6
NUMBER OF CYLINDERS KIT WILL SERVICE	3	-	3	3	3	3	1	6

TORQUE SPECS*

Position	Ft.-lbs.
12	29.4
25	29.4
27	29.4
28	13.2
29	7.3
36	81.0
41	51.5
48	73.7
49	36.8
67	51.5
84	95.8