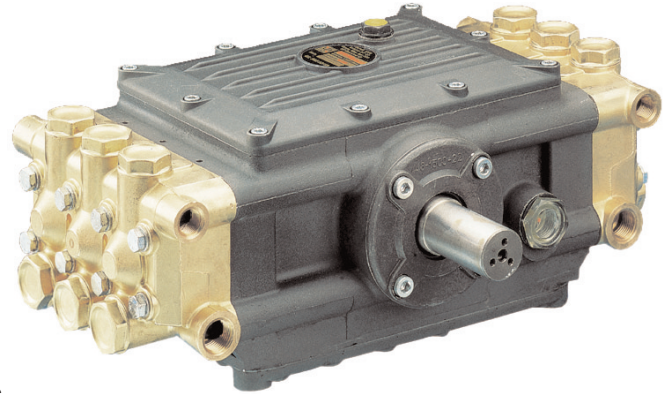


FEATURES

- Forged brass manifold with exclusive lifetime warranty
- High flow applications
- Dual manifolds utilizing a common crankcase for efficient performance
- Solid ceramic plungers with continuously lubricated packings
- Unitized stainless steel inlet and discharge valves

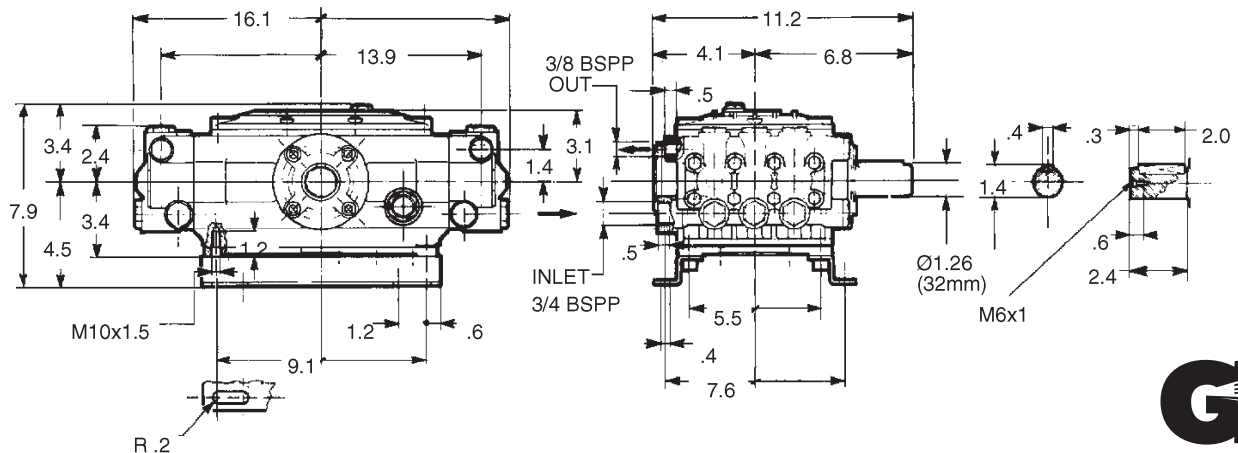


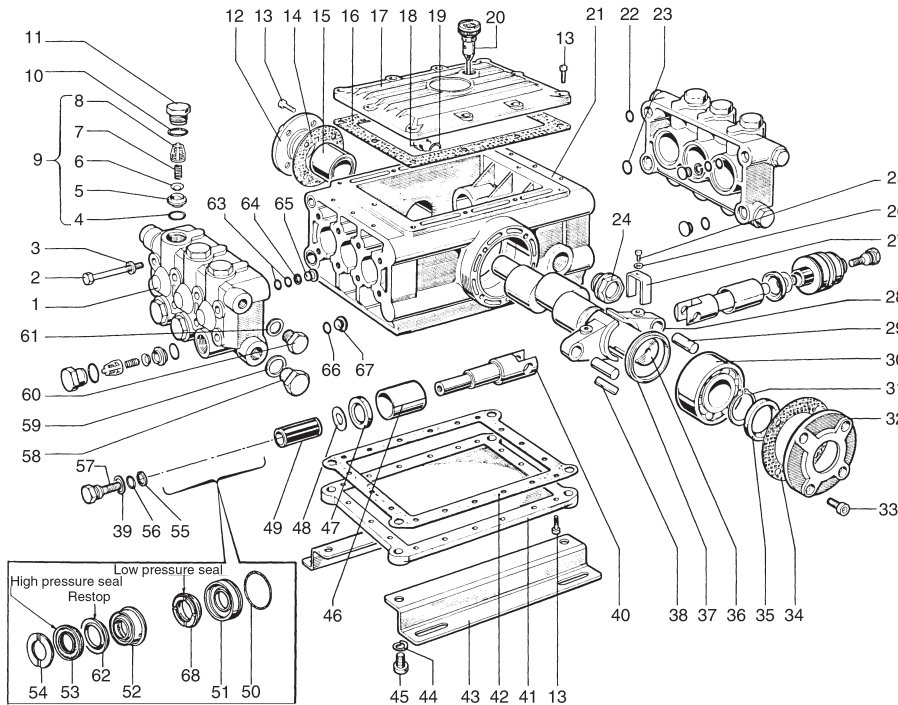
SPECIFICATIONS

| Pump Model | TS1351 * | T1631 | T2031 | |
|-------------------------------|-----------|--------------------------|-----------|------|
| Maximum Volume (GPM) | 11.0 GPM | 10.0 GPM | 9.0 | 11.0 |
| Max. Discharge Pressure (PSI) | 2000 PSI | 2500 PSI | 3000 | 2000 |
| Maximum Pump Speed (RPM) | 1450 | 1080 RPM | 1140 | 1450 |
| Maximum Inlet Pressure | | 125 PSI | | |
| Maximum Inlet Vacuum | | 9 ft. water (7.9 in. Hg) | | |
| Bore (in./mm) | .787 / 20 | .866 / 22 | .787 / 20 | |
| Stroke | | .630 in. / 16 mm | | |
| Crankcase Oil Capacity | | 54.0 oz. | | |
| Maximum Fluid Temperature | | 165°F | | |
| Inlet Port Thread | | 3/4-14 BSPP-F | | |
| Discharge Port Thread | | 3/8-19 BSPP-F | | |
| Shaft Diameter. | | 1.26 in. / 32 mm | | |
| Weight | | 61 lbs. | | |
| Dimensions | | 16.1 x 11.2 x 7.9 in. | | |

*Out of production; use T2031.

DIMENSIONAL DRAWING





PARTS LIST

| ITEM | PART NO. | DESCRIPTION | KIT NO. | QTY. | ITEM | PART NO. | DESCRIPTION | KIT NO. | QTY. | ITEM | PART NO. | DESCRIPTION | KIT NO. | QTY. |
|------|----------|---------------|---------|------|------|----------|-------------------------|---------|------|------|----------|------------------------|-------------|------|
| 1. | 48120241 | Manifold | | 2 | 26. | 96691000 | Washer | | 6 | 50. | 90361600 | O-Ring | 10,14,28,29 | 6 |
| 2. | 99320600 | Screw | | 16 | 27. | 48217074 | Rod Yoke | | 6 | 51. | 47080570 | Packing Retainer | 10, 28 | 6 |
| 3. | 96702000 | Washer | | 16 | 28. | 48030122 | Connect. Rod | | 3 | | 47080670 | Pack. Ret. (T1631) | 14, 29 | |
| 4. | 90384100 | O-Ring | 1 | 12 | 29. | 97737400 | Plunger Pin | | 6 | 52. | 47216970 | Intermed. Ring | 28, 71 | 6 |
| 5. | 36200366 | Valve Seat | 1 | 12 | 30. | 91847500 | Bearing | | 1 | | 47217070 | Inter. Ring (T1631) | 29,149 | |
| 6. | 36200176 | Valve | 1 | 12 | 31. | 90069500 | Cir-Clip | | 1 | 53. | 90270500 | Packing | 28, 69 | 6 |
| 7. | 94737600 | Spring | 1 | 12 | 32. | 48150022 | Cover | | 1 | | 90272500 | Packing (T1631) | 29, 148 | |
| 8. | 36200251 | Valve Guide | 1 | 12 | 33. | 99303900 | Screw | | 4 | 54. | 47100051 | Head Ring | 7, 28 | 6 |
| 9. | 36703201 | Valve Unit | 1 | 12 | 34. | 48211284 | Gasket | | 1 | | 46100051 | Head Ring (T1631) | 11, 29 | |
| 10. | 90384700 | O-Ring | 4 | 12 | 35. | 90167000 | O-Ring | | 1 | 55. | 90506700 | Anti-Ext. Ring | 6 | 6 |
| 11. | 98222000 | Cap | 4 | 12 | 36. | 48020135 | Crankshaft | | 1 | 56. | 90358500 | O-Ring | 6 | 6 |
| 12. | 48160122 | Cover | 1 | 1 | 37. | 48212389 | Connect Rod Ring | | 6 | 57. | 47219566 | Plunger Screw | 6 | 6 |
| 13. | 99183700 | Screw | | 32 | 38. | 91497500 | Key | | 1 | 58. | 98217600 | Cap | 4 | 4 |
| 14. | 48211984 | Cover Gasket | 1 | 1 | 39. | 96728000 | Washer | 6 | 6 | 59. | 96751400 | Washer | 4 | 4 |
| 15. | 91837000 | Bearing | 1 | 1 | 40. | 48050154 | Plunger Guide | | 6 | 60. | 98210000 | Cap | 3 | 3 |
| 16. | 48211884 | Gasket | 1 | 1 | 41. | 48211622 | Cover | | 1 | 61. | 96738000 | Washer | 3 | 3 |
| 17. | 48211422 | Cover | 1 | 1 | 42. | 48211784 | Gasket | | 1 | 62. | 90270400 | Restop Ring | 28,69,71 | 6 |
| 18. | 98204100 | Cap | 1 | 1 | 43. | 48200074 | Foot | | 2 | | 90273000 | Res. Ring (T1631) | 29,148,149 | |
| 19. | 90358500 | O-Ring | 1 | 1 | 44. | 96710600 | Washer | | 4 | 63. | 90358000 | O-Ring | 4 | 4 |
| 20. | 98209700 | Cap | 1 | 1 | 45. | 99369900 | Screw | | 4 | 64. | 90503700 | Anti. Ext. Ring | 2 | 2 |
| 21. | 48010402 | Crankcase | 1 | 1 | 46. | 90915000 | Bushing | | 6 | 65. | 48220470 | Plug | 2 | 2 |
| 22. | 90382700 | O-Ring | 4 | 4 | 47. | 90162700 | Ring | 24 | 6 | 66. | 90382500 | O-Ring | 2 | 2 |
| 23. | 90383900 | O-Ring | 4 | 4 | 48. | 96728600 | Washer | | 6 | 67. | 48220370 | Plug | 2 | 2 |
| 24. | 97596800 | Oil Indicator | 1 | 1 | 49. | 47040409 | Plunger – 20 mm | | 6 | 68. | 90271000 | Seal, Low Press., 20mm | 28, 69 | 6 |
| 25. | 99153700 | Screw | | 6 | | 47040509 | Plunger – 22 mm (T1631) | | | | | | | |

REPAIR KITS

| KIT NO. | 1 | 4 | 6 | 7 (20mm) 11 (22mm) | 10 (20mm) 14 (22mm) | 24 | 28 (20mm) 29 (22mm) | 69 (20mm) 148 (22mm) | 71 (20mm) 149 (22mm) |
|------------------------------|-------------------|--------|--------------------|-----------------------|------------------------|----|----------------------------|-------------------------|-------------------------|
| ITEM NO.s INCLUDED IN KIT | 4, 5, 6, 7, 8 (9) | 10, 11 | 39, 48, 55, 56, 57 | 54 | 50, 51 | 47 | 50, 51, 52, 53, 54, 62, 68 | 53, 62, 68 | 52, 62 |
| NUMBER OF ASSEMBLIES IN KIT | 6 | 6 | 3 | 6 | 3 | 3 | 1 | 3 | 3 |
| NUMBER OF CYLINDERS KIT WILL | 3 | 3 | 3 | 3 | 3 | 3 | 1 | 3 | 3 |

TORQUE SPECS*

| Position | Ft.-lbs. |
|----------|----------|
| 2 | 22.1 |
| 11 | 73.7 |
| 13 | 7.3 |
| 18 | 14.7 |
| 24 | 13.2 |
| 25 | 5.1 |
| 33 | 14.7 |
| 45 | 29.4 |
| 57 | 14.7 |
| 58 | 29.4 |
| 60 | 29.4 |

*Decrease torque by 20% if threads are lubricated.