

ROTATION SYSTEM



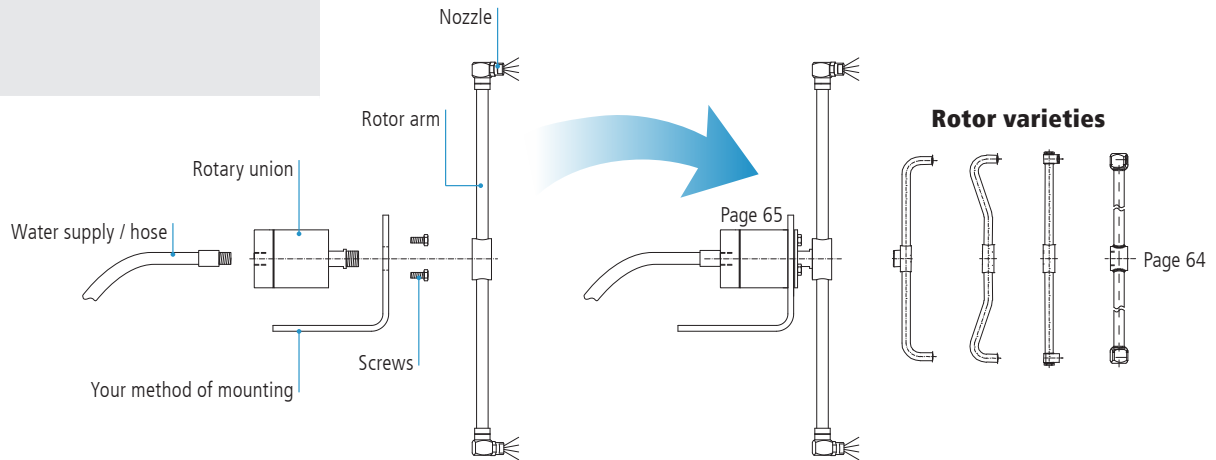
On this page we will show you how easy it is to build a modular system.

FUNCTIONALITY

As the water pressure builds, the rotor arms begin to rotate independently. The arm rotates only by the force of the water jet and requires no other power. A simple but efficient and solid product for a optimum cleaning effect. Manufacturers use our components for exactly this reason.

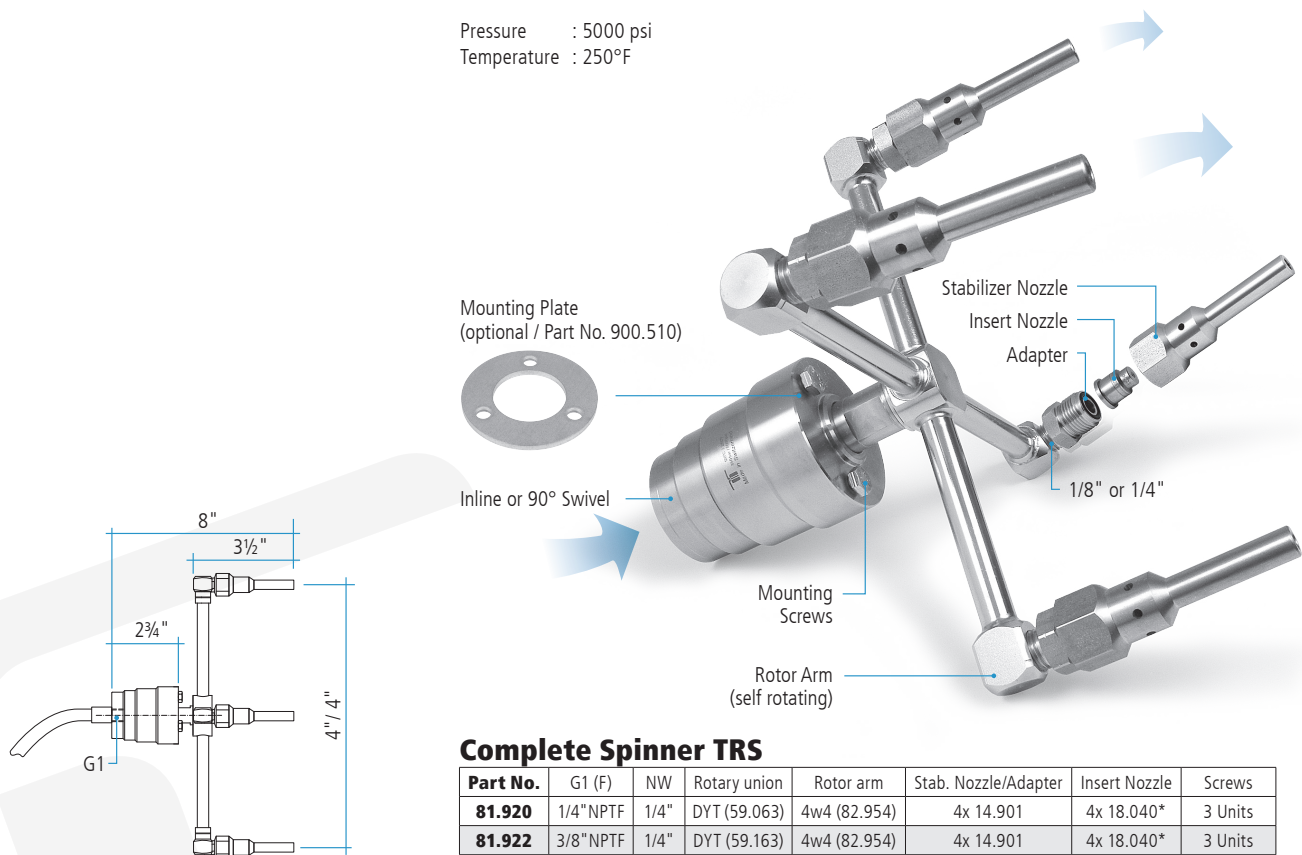
Rotation Unit according to your specifications.

Select a swivel, attach rotor arm and screw in nozzles and your unit is assembled. To get the best products for your application please see below:



APPLICATION EXAMPLE

Pressure : 5000 psi
Temperature : 250°F



Complete Spinner TRS

Part No.	G1 (F)	NW	Rotary union	Rotor arm	Stab. Nozzle/Adapter	Insert Nozzle	Screws
81.920	1/4" NPTF	1/4"	DYT (59.063)	4w4 (82.954)	4x 14.901	4x 18.040*	3 Units
81.922	3/8" NPTF	1/4"	DYT (59.163)	4w4 (82.954)	4x 14.901	4x 18.040*	3 Units

* other versions or sizes upon request.