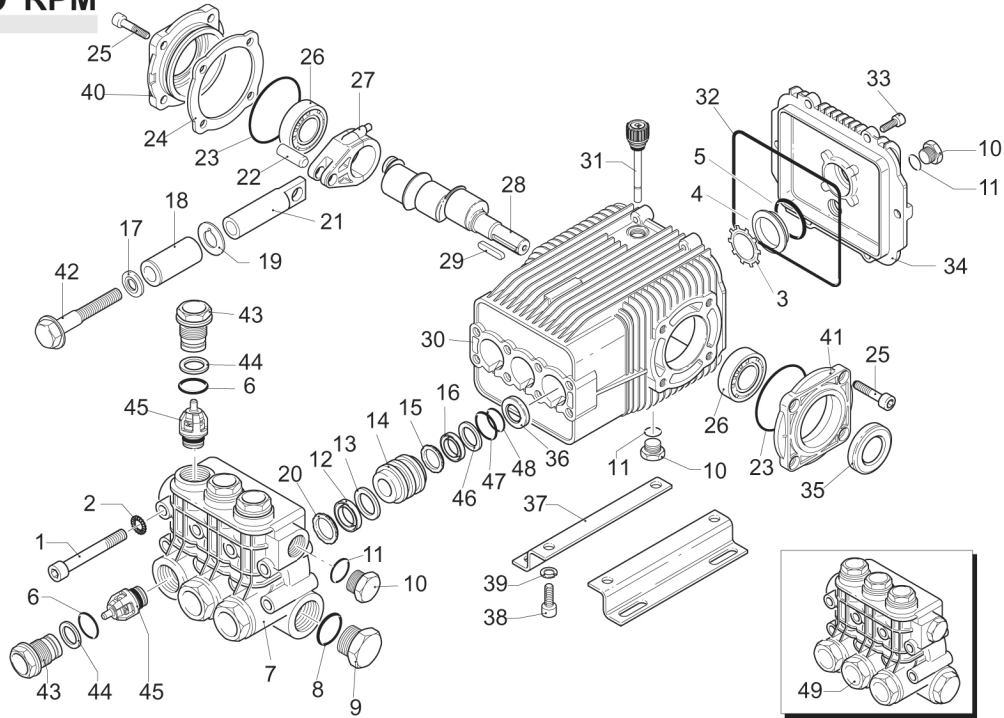


# SXW 1450 RPM



Pos.	Code	Description	Qty.
1	1940260	Head bolt (442 in/lbs)	8
2	650530	Washer	8
3	1260430	Snap ring	1
4	1260250	Oil sight glass	1
5	1140450	O-Ring	1
6	880830	O-Ring	6
7	1940930	Pump head	1
8	180101	O-Ring	1
9	820361	Plug 1/2G	1
10	1980740	Plug 3/8G	3
11	740290	O-Ring	3
12	1941200	High pressure packing	3
13	1941050	Support ring	3
14	1940950	Piston guide	3
15	1941350	Support ring	3
16	1941340	Low pressure seal	3
17	1340600	Washer	3
18	1941020	Piston	3
19	1383190	Slinger	3
20	1941190	Support ring	3
21	1940960	Guiding piston	3
22	1940060	Con-rod pin	3
23	1941380	O-Ring	2
24	1941390	Shim 0.05 mm	1
25	1941400	Shim 0.10 mm	1
26	1941410	Shim 0.19 mm	1
27	1941420	Shim 0.25 mm	1
28	850370	Bolt (217 in/lbs)	8
29	1140410	Bearing	2
30	1940050	Con-rod (89 in/lbs)	3
31	1940980	Crank shaft	○ 1
32	1940970	Crank shaft	□ 1
33	650250	Key	1
34	1941330	Pump housing	1
35	1140370	Oil cap	1
36	1940410	O-Ring	1
37	1200430	Bolt (89 in/lbs)	6
38	1949010	Complete cover	1
39	820680	Oil seal	1
40	1940560	Oil seal	3
41	1940370	Mounting rail	2
42	2748	1-1/4" Rail Kit	1
43	1940380	Bolt	4

Pos.	Code	Description	Qty.
39	200231	Washer	4
40	1949011	Complete side cover	1
41	1941240	Open bearing sup.	1
42	1940920	Piston-fixing screw (106 in/lbs)	3
43	1940940	Valve cap (602 in/lbs)	6
44	1941970	Valve cap 1/4" threaded	1
45	1941070	Back-up ring	6
46	1941030	Spacer	3
47	820490	O-Ring	3
48	1941010	Snap ring	3
49	1949204	Complete pump head	1

Legend	
Ø18	Ø18
For ○	For □
SXW15.35	SXW21.35

## Repair Kits

High Pressure		Water Seals		Valves		Pistons		Oil Seals	
Kit 2874	Kit 2875	Kit 2871	Kit 2873	Kit 2548	Kit 2873	Kit 2548	Kit 2873	Kit 2548	Kit 2873
Pos.	Qty.	Pos.	Qty.	Pos.	Qty.	Pos.	Qty.	Pos.	Qty.
12	3	45	6	17	3	23	2	32	1
13	3			18	3	35	1	36	3
20	3			19	3				

Low Pressure  
Water Seals &  
Piston Guides  
Kit 2875

Pos.	Qty.
14	3
15	3
16	3
46	3
47	3
48	3