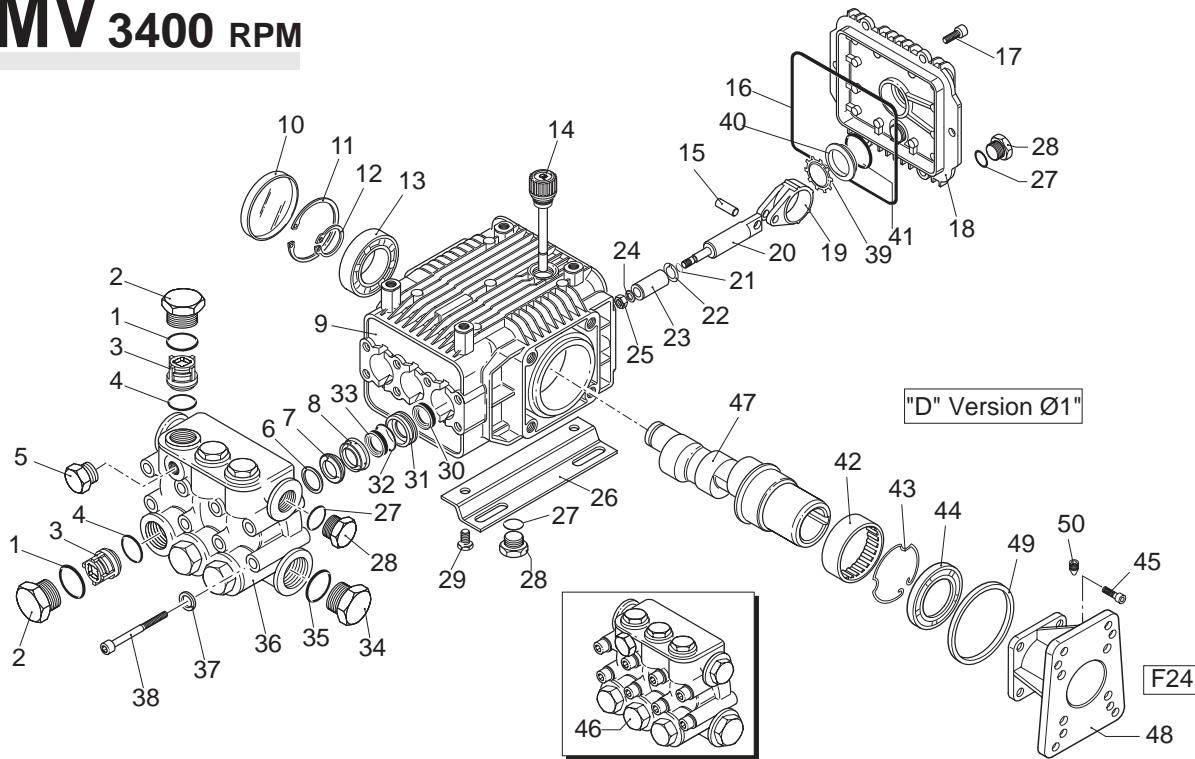


SXMV 3400 RPM



| Pos. | Code | Description | Qty. |
|------|----------|--------------------------------------|------|
| 1 | 960160 | O-Ring | 6 |
| 2 | 1260162 | Valve cap (442 in/lbs) | 6 |
| 3 | 1260162T | Valve Cap 1/4" threaded (442 in/lbs) | 1 |
| 4 | 1269050 | Complete valve | 6 |
| 5 | 880833 | O-Ring | 6 |
| 6 | 620301 | Plug 1/8G | 1 |
| 7 | 1780130 | Support ring | 3 |
| 8 | 1260130 | High pressure packing | 3 |
| 9 | 1780090 | Piston guide | 3 |
| 10 | 1780010 | Pump body | 1 |
| 11 | 1266740 | Cap | 1 |
| 12 | 1260790 | Circlip | 1 |
| 13 | 1780550 | Snap ring | 1 |
| 14 | 1780490 | Bearing | 1 |
| 15 | 880130 | Oil cap | 1 |
| 16 | 1780050 | Piston pin | 3 |
| 17 | 1780510 | O-Ring | 1 |
| 18 | 1200430 | Bolt (89 in/lbs) | 6 |
| 19 | 1789010 | Complete cover | 1 |
| 20 | 1780710 | Bronze connecting rod | 3 |
| 21 | 1780060 | Guiding piston | 3 |
| 22 | 480480 | O-Ring | 3 |
| 23 | 1260091 | Washer (slinger) | 3 |
| 24 | 1780070 | Plunger | 3 |
| 25 | 1260100 | Piston washer | 3 |
| 26 | 1260110 | Nut (106 in/lbs) | 3 |
| 26b | 1380141 | Mounting rail | 2 |
| 26c | 2729 | 5/8" Rail Kit | 1 |
| 27 | 2633H | 2-5/8" Rail Kit | 1 |
| 28 | 740290 | O-Ring | 3 |
| 29 | 1980740 | 3/8" G plug | 3 |
| 30 | 1260470 | Bolt | 4 |
| 31 | 1260460 | Oil seal | 3 |
| 32 | 1780100 | Rear piston guide | 3 |
| 33 | 770260 | O-Ring | 3 |
| 34 | 1260440 | Low pressure seal | 3 |
| 35 | 820361 | Brass Plug 1/2G | 1 |
| 36 | 180101 | O-Ring | 1 |
| 37 | 1781060 | Pump head | 1 |
| 38 | 1381550 | Washer | 8 |
| 39 | 1322730 | Head bolt (133 in/lbs) | 8 |
| 40 | 1260430 | Snap ring | 1 |
| 41 | 1260250 | Oil sight glass | 1 |

| Pos. | Code | Description | Qty. |
|------|---------|----------------------|------|
| 41 | 1140450 | O-Ring | 1 |
| 42 | 1321190 | Bearing | 1 |
| 43 | 1321080 | Snap ring | 1 |
| 44 | 480671 | Oil seal | 1 |
| 45 | 180030 | Bolt | 4 |
| 46 | 1789209 | Pump head pre assem. | 1 |
| 47 | 1780340 | Hollow shaft Ø1" | ○ 1 |
| 48 | 1780920 | Hollow shaft Ø1" | □ 1 |
| 49 | 1780330 | Hollow shaft Ø1" | ▽ 1 |
| 48 | 1597 | Gas engine flange | 1 |
| 49 | 1780430 | Bushing | 1 |
| 50 | 820440 | Set screw | 1 |

| Legend | | |
|----------|------------|----------|
| Ø15 | Ø15 | Ø15 |
| For ○ | For □ | For ▽ |
| SXMV3G40 | SXMV3.5G40 | SXMV4G35 |

| Repair Kits | | | |
|-------------|-----------|-----------|-----------|
| Water Seals | Valves | Pistons | Oil Seals |
| Kit 2741 | Kit 2125 | Kit 2544 | Kit 2787 |
| Pos. Qty. | Pos. Qty. | Pos. Qty. | Pos. Qty. |
| 7 3 | 3 6 | 21 3 | 10 1 |
| 32 3 | 4 6 | 22 3 | 16 1 |
| 33 3 | | 23 3 | 30 3 |
| | | 24 3 | 44 1 |
| | | 25 3 | |

| Support Rings | |
|---------------|------|
| Kit 2740 | |
| Pos. | Qty. |
| 6 | 3 |

| Special Parts | | |
|---------------|-----------------------------------|------|
| Code | Description | Qty. |
| 2776 | Viton water seals Ø15 | 1 |
| 2817 | Kit for up to 180°F Ø15 High Temp | 1 |