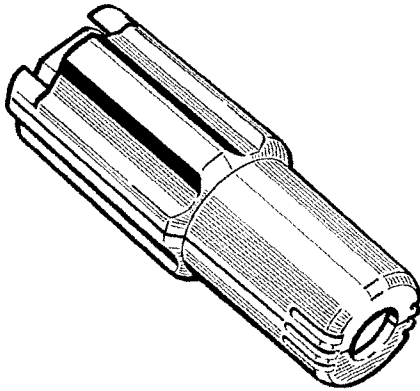


The Rotomax is designed to improve the cleaning efficiency of your high pressure washer by producing a rotating action that greatly expands the contact area of the cleaning stream, while providing the impact of a zero-degree nozzle. The unique internal design allows aim-and-shoot operation, even when cleaning overhead, and permits easy replacement of all wear parts. Sized according to flow rate, a Rotomax is perfect for your toughest cleaning tasks.

SPECIFICATIONS

Part Number:



	PSI	500	1000	1500	2000	2500	3000	3500
ZROTOMAX1		1.52	2.15	2.64	3.05	3.40	3.73	4.02
ZROTOMAX2		1.72	2.43	2.98	3.44	3.84	4.21	4.55
ZROTOMAX3		2.06	2.92	3.57	4.12	4.61	5.05	5.46
						GPM		

Maximum Pressure	3500 PSI
Maximum Temperature	200° F
Port Sizes: Inlet	1/4-19 BSPP - F
Dimensions	Ø1.5 O.D. x 4.1 Lg.
Weight	.6 lb.
Material	Brass, Plastic, Ceramic, Buna-N.

WARRANTY

General Pump accessories are warranted by the manufacturer to be free from defects in material and workmanship. Period of warranty shall be 90 days from date product is received by original buyer. Liability of manufacturer under the foregoing warranty is limited to **repair or replacement** at the option of manufacturer of that product which according to the manufacturer's investigation was deemed defective at time of shipment. Damage resulting from neglect, abuse, tampering or misapplication voids this warranty. This warranty is in lieu of all other warranties, expressed or implied, including any warranty of merchantability and/or any and all other obligations or liabilities on the part of the manufacturer.

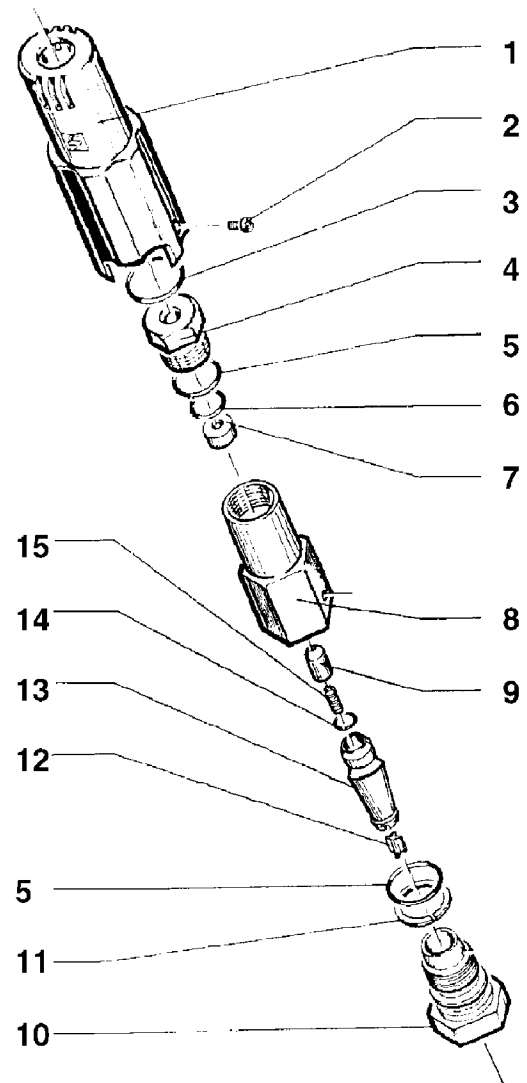


PARTS LIST

ZROTOMAX1, MAX2, MAX3 Rotating Nozzle

No.	Part No.	Description	Repair Kit	Qty.
1.	10.0449.51	Cover, Plastic		1
2.	99.0702.00	Screw, Retaining, M3 x 4		1
3.	90.3847.00	O-Ring, .797 x .103	*	1
4.	10.0450.70	Plug, M18 x 1.5		1
5.	90.3835.00	O-Ring, .594 x .103	*	2
6.	90.3585.00	O-Ring, .426 x .070	*	1
7.	10.0455.09	Seat	*	1
8.	10.0451.70	Body		1
9.	10.0456.09	Tip, Rotor	*	1
10.	(See Below)	Nipple, Inlet		1
	10.0565.70	ZROTOMAX1 , Ø.055 in. (1.4 mm) Size Code: Three Notches		
	10.0454.70	ZROTOMAX2 , Ø.063 in. (1.6 mm) Size Code: No Notches		
	10.0471.70	ZROTOMAX3 , Ø.079 in. (2.0 mm) Size Code: One Notch		
11.	90.5090.00	Ring, Back-up	*	1
12.	10.0453.51	Rotor Guide	*	
13.	10.0564.02	Rotor Assembly	†	1
14.	90.3574.00	O-Ring, .239 x .07	*	
15.	(See Below)	Nozzle		1
	98.6674.00	ZROTOMAX1 , Ø.049 in. (1.25 mm) Color Code: Red		
	98.6725.00	ZROTOMAX2 , Ø.052 in. (1.33 mm) Color Code: Light Blue		
	98.6780.00	ZROTOMAX3 , Ø.057 in. (1.44 mm) Color Code: Black		
*	190040	Repair Kit for Rotomax Rotating Nozzle		

† Includes items 12 and 14



IMPORTANT

When installing the Rotomax, please note:

Do not tighten the Rotomax by the plastic cover; use a wrench on the hex portion of the inlet nipple (#10 on parts drawing). This will avoid stripping the holding screw on the plastic cover.