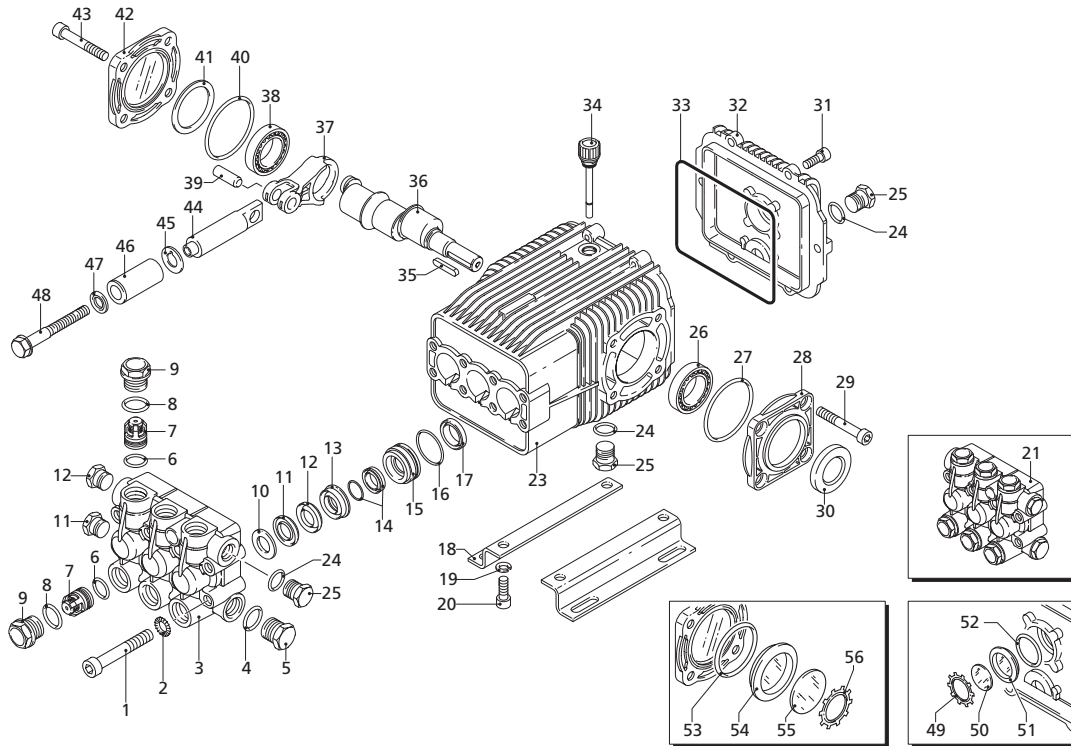
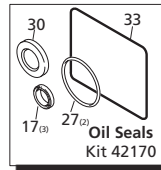
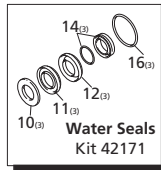
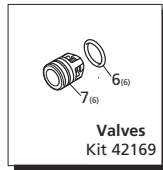


# PARTS BREAKDOWN



## Repair Kits



Pos	Code	Description	Qty.	Pos	Code	Description	Qty.
1	2980100	Screw	8	37	2980010	Con-rod	3
2	650530	Washer	8	38	1140420	Bearing	1
3	2980020	Pump head	1	39	1940060	Piston pin	3
4	180101	O-Ring $\phi 17.5 \times 2$	1	40	1941380	O-Ring $\phi 66.34 \times 2.62$	1
5	820361	Plug	1	41	1941390	0.05mm shim	1-3
6	880830	O-Ring $\phi 15.54 \times 2.62$	6	42	1941400	0.10mm shim	1-3
7	1389051	Complete valve	6	43	1941410	0.19mm shim	1-3
8	960160	O-Ring $\phi 17.86 \times 2.62$	6	44	1941420	0.25mm shim	1-3
9	960090	Plug	6	45	1949011	Complete side cover	1
10	960110	Ring	3	46	850370	Screw M 8x16	4
11	880320	O-Ring $\phi 15.54 \times 2.62$	3	47	1940960	Guiding piston	3
12	2340310	Ring	3	48	1383190	Spacer	3
13	2980070	Front piston guide	3	49	1941020	Piston	3
14	1942690	Gasket w/ring	3	50	1340600	Washer	3
15	1942480	Guiding piston	3	51	1941640	Screw	3
16	820490	O-Ring $\phi 34.65 \times 1.78$	3	52	1260430	Snap ring	1
17	1940560	Ring	3	53	1780690	Disc	1
18	1940370	Base	2	54	1260250	Oil indicator	1
19	200231	Washer	4	55	1140450	O-Ring $\phi 20.24 \times 2.62$	1
20	1940380	Screw	4	56	100410	O-Ring $\phi 34.6 \times 2.62$	1
21	2989200	Head pre-assembly	1		1941270	Oil indicator	1
23	1941330	Pump housing	1		1941260	Disc	1
24	740290	O-Ring $\phi 14 \times 1.78$	3		1941290	Snap ring	1
25	1980740	Plug 3/8" G	3				
26	1941370	Bearing	1				
27	1941380	O-Ring $\phi 66.34 \times 2.62$	1				
28	1941240	Open bearing support	1				
29	850370	Screw M 8x16	4				
30	820680	Seal	1				
31	1200430	Screw M 6x16	6				
32	1949010	Complete cover	1				
33	1940410	O-Ring $\phi 132 \times 3$	1				
34	1140370	Oil cap	1				
35	650250	Key	1				
36	2980030	Crankshaft 24mm	1				