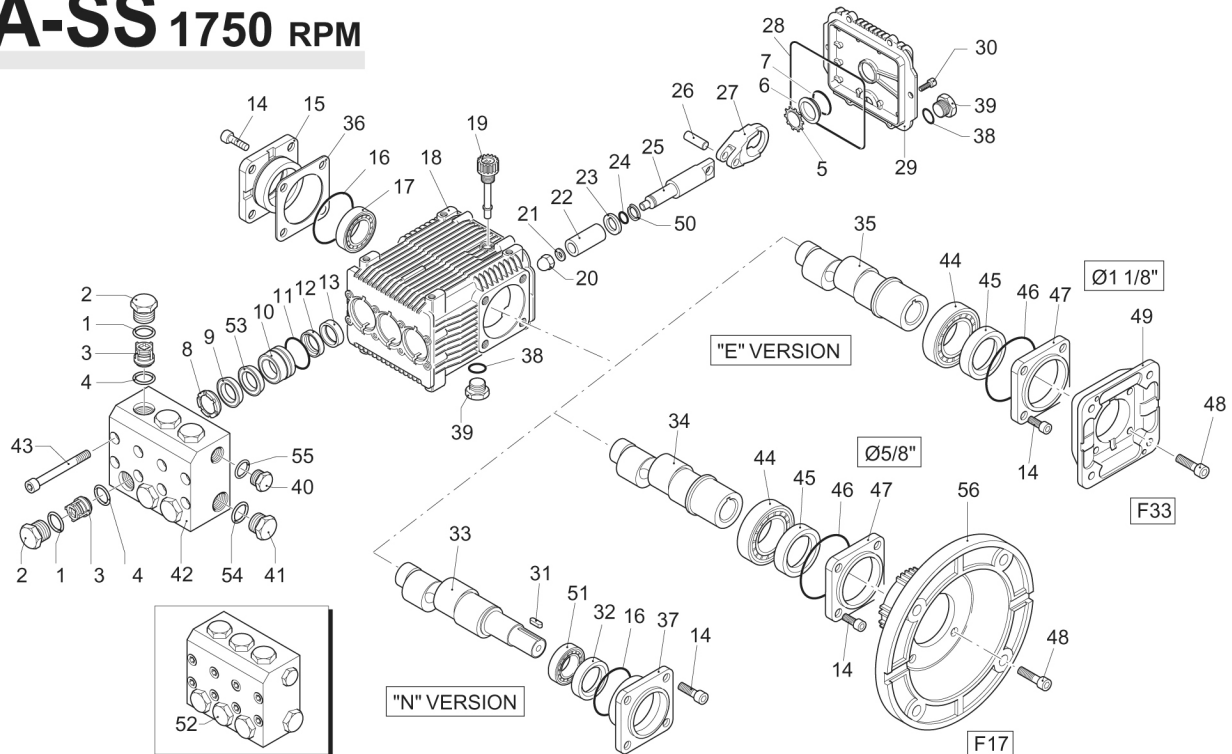


RKA-SS 1750 RPM



Pos.	Code	Description	Qty.
1	960161	O-Ring	6
2	2340030	Valve cap (478 in/lbs)	6
3	960850T	SS Valve cap 1/4" threaded	1
4	2349050	Complete valve	6
5	880831	O-Ring	6
6	1260430	Snap ring	1
7	1260250	Oil sight glass	1
8	1140450	O-Ring	1
9	960110	Support ring	3
10	880321	High pressure packing	3
11	2340140	Piston guide	3
12	961241	O-Ring	3
13	880331	Low pressure seal	3
14	880520	Oil seal	3
15	2340240	Bolt (217 in/lbs)	8
16	2349011	Complete side cover	1
17	640030	O-Ring	2
18	2280240	Bearing	1
19	2340260	Pump housing	1
20	880130	Oil cap	1
21	2340060	Nut (106 in/lbs)	3
22	2340200	Washer	3
23	1383230	Piston	3
24	2340110	Slinger	3
25	480482	O-Ring	3
26	2340070	Guiding piston	3
27	1380060	Piston pin	3
28	1383020	Bronze con-rod	3
29	1780510	O-Ring	1
30	2349010	Complete cover	1
31	2340250	Bolt (89 in/lbs)	6
32	1380520	Key	1
33	180340	Oil seal	1
34	2280490	Crankshaft	○ 1
	2280100	Crankshaft	□ 1
	2280500	Crankshaft	▽ 1
	2280090	Crankshaft	◆ 1
	2280220	Hollow shaft Ø5/8"	● 1
	2280510	Hollow shaft Ø5/8"	■ 1
	2280520	Hollow shaft Ø5/8"	▲ 1
	2280530	Hollow shaft Ø5/8"	★ 1

Pos.	Code	Description	Qty.
35	2280540	Hollow shaft Ø1 1/8"	◁ 1
	2280260	Hollow shaft Ø1 1/8"	▷ 1
	2280550	Hollow shaft Ø1 1/8"	● 1
	2280200	Hollow shaft Ø1 1/8"	⊕ 1
36	1382810	0.05 mm shim	1-3
	1380120	0.10 mm shim	1-3
	1380130	0.20 mm shim	1-3
	1380530	0.25 mm shim	1-3
37	2340280	Open bearing sup. (217 in/lbs)	1
38	740290	O-Ring	2
39	2340350	3/8" G plug	2
40	2340050	Plug 3/8NPT	1
41	2340350	Plug 3/8G	1
42	2340040	Plug 1/2NPT	1
	2340360	Plug 1/2G	1
	2340020	Pump head NPT	1
	2340370	Pump head G	1
43	1383440	Head bolt (217 in/lbs)	8
44	1380320	Bearing	1
45	621170	Oil seal	1
46	1380220	O-Ring	1
47	2340300	Shaft cover	1
48	620610	Bolt	4
49	1380360	Electric motor flange	1
50	2340190	Ring	3
51	840370	Bearing	1
52	2349200	Pump head assembly NPT	1
	2349203	Pump head assembly G	1
53	2340310	Back-up ring	3
54	180102	O-Ring	1
55	740291	O-Ring	1
56	1780910	Electric motor flange	1

Legend

Ø 18	Ø 18
N Version	
For ○	For □
RKA-SS2.3G15	RKA-SS3.6G12
For ▽	For ◆
RKASS3G15	RKASS4.2G15
E Version Ø5/8"	
For ●	For ■
RKA-SS2.3G15	RKA-SS3.6G12
For ▲	For ★
RKASS3G15	RKASS4.2G15
E Version Ø1 1/8"	
For ◁	For ▷
RKA-SS2.3G15	RKA-SS3.6G12
For ●	For ⊕
RKASS3G15	RKASS4.2G15

Repair Kits

Water Seals	Valves	Pistons	Oil Seals
Kit 2516	Kit 2514	Kit 2552	Kit 2528 N Version Kit 2529 E Version
Pos. Qty.	Pos. Qty.	Pos. Qty.	Pos. Qty.
12 3	3 6	23 3	16 3
14 3	4 6	24 3	19 2
15 3		25 3	34 1
79 3		26 3	38 N Version 1
		27 3	61 E Version 1
		70 3	62 E Version 1

Support Rings	
Kit 1829	
Pos.	Qty.
11	3