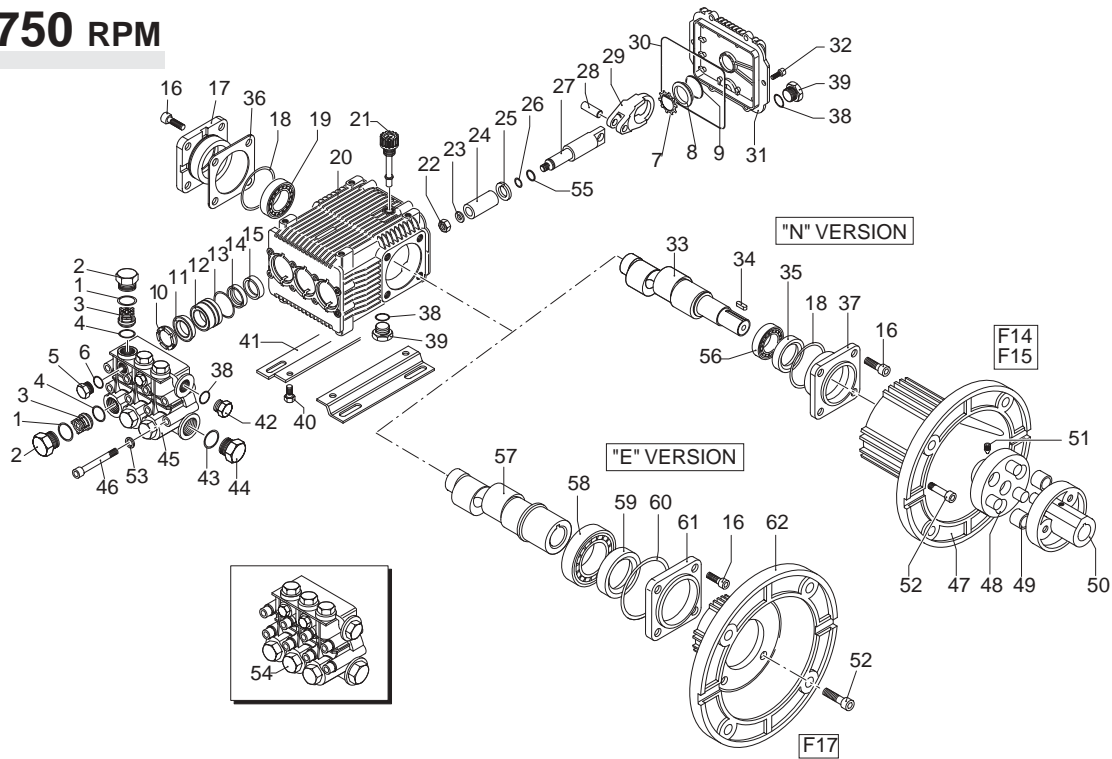


RKA 1750 RPM



Pos.	Code	Description	Qty.	Pos.	Code	Description	Qty.			
1	960160	O-Ring	6	36	1380120	0.10mm shim	1-3			
2	960090	Brass valve cap (478 in/lbs)	6	37	1380130	0.20mm shim	1-3			
3	960850	SS valve cap (478 in/lbs)	6	38	1380530	0.25mm shim	1-3			
4	1380740	NP valve cap (478 in/lbs)	6	39	1382810	0.05mm shim	1-3			
5	960090T	Brass valve cap 1/4" threaded	1	40	1380040	Open bearing sup. (217 in/lbs)	1			
6	960850T	SS valve cap 1/4" threaded	1	41	740290	O-Ring	3			
7	1389051	Complete valve	6	42	1980740	3/8" G plug	2			
8	880830	O-Ring	6	43	1260470	Bolt	4			
9	880581	Brass plug 1/4G	2	44	1380141	Mounting rail	2			
10	1380690	NP plug 1/4G	2	45	1837	1-1/4" Rail Kit	1			
11	820510	O-Ring	2	46	2633	5/8" Rail Kit	1			
12	1260430	Snap ring	1	47	2633H	2-5/8" Rail Kit	1			
13	1260250	Oil sight glass	1	48	1980740	3/8" G plug	1			
14	1140450	O-Ring	1	49	1981180	3/8" G plug (NP)	1			
15	960110	Support ring	3	50	180101	O-Ring	1			
16	840300	Support ring	3	51	820361	Plug 1/2G	1			
17	840320	Support ring	3	52	960870	Plug 1/2G (NP)	1			
18	880320	High pressure packing	3	53	1381071	Pump head Ø18	1			
19	840290	High pressure packing	3	54	1381070	Pump head Ø18 (NP)	1			
20	840330	High pressure packing	3	55	1380020	Pump head Ø20	1			
21	1380090	Piston guide	3	56	1380680	Pump head Ø20 (NP)	1			
22	1380150	Piston guide	3	57	1383010	Pump head Ø22	1			
23	1380160	Piston guide	3	58	1383310	Pump head Ø22 (NP)	1			
24	961240	O-Ring	3	59	820150	Head Bolt (217 in/lbs)	8			
25	880330	Low pressure seal	3	60	1380490	El. motor flange	1			
26	840280	Low pressure seal	3	61	1380300	Pump coupling	1			
27	840340	Low pressure seal	3	62	1321670	Bushing	6			
28	1383130	Oil seal	3		1380330	Motor coupling 1-1/8 (F14)	1			
29	16	Bolt (217 in/lbs)	8		1380350	Motor coupling 1-3/8 (F15)	1			
30	1380050	Closed bearing sup.	1		1380180	Set screw	1			
31	18	O-Ring	2		52	620610	Bolt	4		
32	2280240	Bearing	1		53	1381850	Washer	8		
33	1382770	Pump housing	1			1389270	Complete pump head Ø18	1		
34	880130	Oil cap	1			1389272	Complete pump head Ø18 (NP)	1		
35	962010	Nut (106 in/lbs)	3			1389271	Complete pump head Ø18 (NP)	1		
	962000	Washer	3			1389212	Complete pump head Ø20 (NP)	1		
	1380940	Piston	3			1389289	Complete pump head Ø22 (NP)	1		
	1380930	Piston	3			55	1080401	Back-up ring	1	
	1382360	Piston	3			56	840370	Bearing	1	
	1380950	Slinger	3				2280260	Hollow shaft Ø1 1/8"	1	
	600180	O-Ring	3				2280200	Hollow shaft Ø1 1/8"	1	
	1380920	Guiding piston	3				2280270	Hollow shaft Ø1 1/8"	1	
	1380060	Piston pin	3				2280280	Hollow shaft Ø1 1/8"	1	
	1383050	Aluminum con-rod <3000 PSI	3				58	1380320	Bearing	1
	1383020	Bronze con-rod >3000 PSI	3				59	621170	Oil seal	1
	1780510	O-Ring	1				60	1380220	O-Ring	1
	1789010	Complete cover	1				61	1380210	Shaft cover	1
	1343510	Bolt (89 in/lbs)	6				62	1591	El. Motor Flange NEMA 184TC	1
	2280100	Crankshaft	1							
	2280080	Crankshaft	1							
	2280070	Crankshaft	1							
	2280060	Crankshaft	1							
	1380520	Key	1							
	180340	Oil seal	1							

Legend

Ø 18	Ø 18	Ø 20	Ø 22
For ○	For □	For ▼	For ◆
RKA3.5G25	RKA4G20	RKA5.5G13	RKA6.5G20H
RKA3.5G30H	RKA4G30	RKA5.5G20H	
RKA3.5G40H	RKA4G30H		
	RKA4G36H		
	RKA4G40H		
For ●			For ■
RKA4.5G17			RKA7G20H
RKA4.5G25			

Repair Kits

Water Seals	Valves	Pistons	Oil Seals
Kit 1857 Ø18	Kit2864	Kit 2546 Ø18	Kit1855 N Version
Kit 1887 Ø20		Kit 2547 Ø20	Kit1856 E Version
Kit 1888 Ø22		Kit 2759 Ø22	

Pos.	Qty.	Pos.	Qty.	Pos.	Qty.	Pos.	Qty.
11	3	3	6	22	3	15	3
13	3	4	6	23	3	18	2
14	3			24	3	30	1
				25	3	35	N Version 1
				26	3	59	E Version 1
				53	3	60	E Version 1

Support Rings

Pos.	Qty.
10	3

Special Parts

Code	Description	Qty.
2809	Viton water seals Ø18	1
2810	Viton water seals Ø20	1
2811	Viton water seals Ø22	1
2819	Water seal in 180°F Ø18	1
2820	Water seal in 180°F Ø20	1