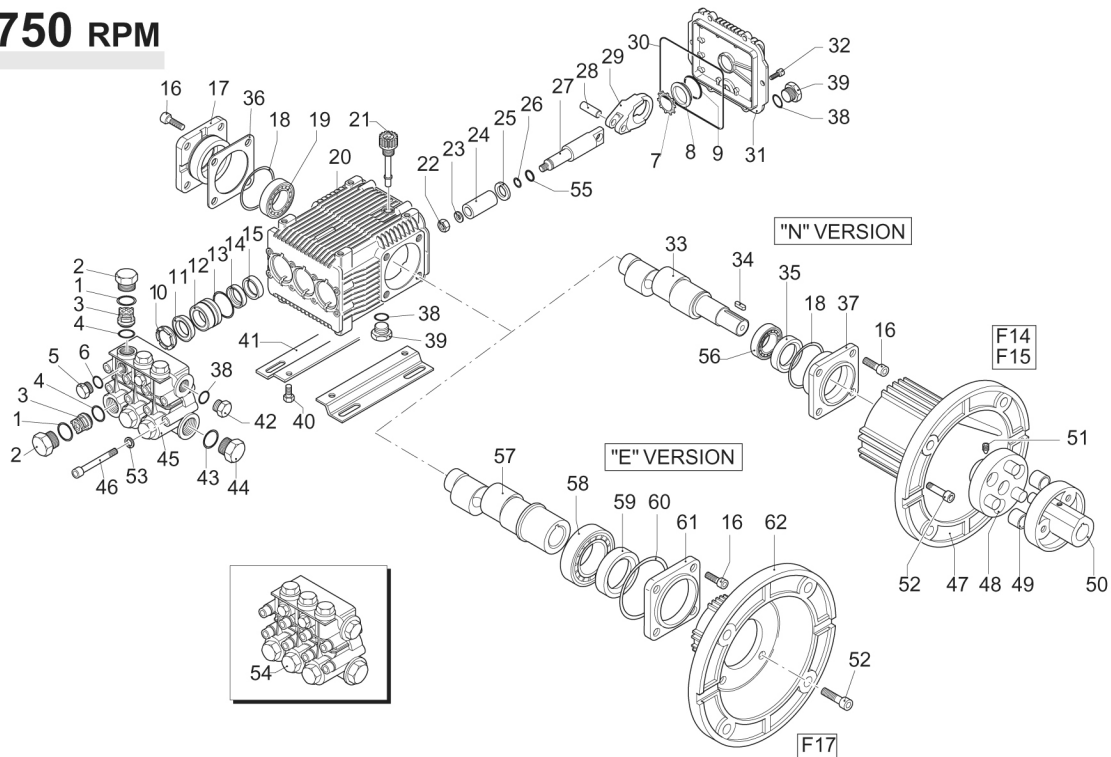


# RKA 1750 RPM



Pos.	Code	Description	Qty.
1	960160	O-Ring	6
2	960090	Brass valve cap (478 in/lbs)	6
3	960850	SS valve cap (478 in/lbs)	6
4	1380740	NP valve cap (478 in/lbs)	6
5	960090T	Brass valve cap 1/4" threaded	1
6	960850T	SS valve cap 1/4" threaded	1
7	1389051	Complete valve	6
8	880830	O-Ring	6
9	880581	Brass plug 1/4G	2
10	1380690	NP plug 1/4G	2
11	820510	O-Ring	2
12	1260430	Snap ring	1
13	1260250	Oil sight glass	1
14	1140450	O-Ring	1
15	960110	Support ring	3
16	840300	Support ring	3
17	840320	Support ring	3
18	880320	High pressure packing	3
19	840290	High pressure packing	3
20	840330	High pressure packing	3
21	1380090	Piston guide	3
22	1380150	Piston guide	3
23	1380160	Piston guide	3
24	961240	O-Ring	3
25	880330	Low pressure seal	3
26	840280	Low pressure seal	3
27	840340	Low pressure seal	3
28	1383130	Oil seal	3
29	850370	Bolt (217 in/lbs)	8
30	1380050	Closed bearing sup.	1
31	640030	O-Ring	2
32	2280240	Bearing	1
33	1382770	Pump housing	1
34	880130	Oil cap	1
35	962010	Nut (106 in/lbs)	3
36	962000	Washer	3
37	1380940	Piston	3
38	1380930	Piston	3
39	1382360	Piston	3
40	1380950	Slinger	3
41	600180	O-Ring	3
42	1380920	Guiding piston	3
43	1380060	Piston pin	3
44	1383050	Aluminum con-rod <3000 PSI	3
45	1383020	Bronze con-rod >3000 PSI	3
46	1780510	O-Ring	1
47	1789010	Complete cover	1
48	1343510	Bolt (89 in/lbs)	6
49	2280100	Crankshaft	1
50	2280080	Crankshaft	1
51	2280070	Crankshaft	1
52	2280060	Crankshaft	1
53	1380520	Key	1
54	180340	Oil seal	1

Pos.	Code	Description	Qty.
36	1380120	0.10mm shim	1-3
37	1380130	0.20mm shim	1-3
38	1380530	0.25mm shim	1-3
39	1382810	0.05mm shim	1-3
40	1380040	Open bearing sup. (217 in/lbs)	1
41	740290	O-Ring	3
42	1980740	3/8" G plug	2
43	1260470	Bolt	4
44	1380141	Mounting rail	2
45	1837	1-1/4" Rail Kit	1
46	2633	5/8" Rail Kit	1
47	2633H	2-5/8" Rail Kit	1
48	1980740	3/8" G plug	1
49	1981180	3/8" G plug (NP)	1
50	180101	O-Ring	1
51	820361	Plug 1/2G	1
52	960870	Plug 1/2G (NP)	1
53	1381071	Pump head Ø18	1
54	1381070	Pump head Ø18 (NP)	1
55	1380020	Pump head Ø20	1
56	1380680	Pump head Ø20 (NP)	1
57	1383010	Pump head Ø22	1
58	1383310	Pump head Ø22 (NP)	1
59	820150	Head Bolt (217 in/lbs)	8
60	1380490	El. motor flange	1
61	1380300	Pump coupling	1
62	1321670	Bushing	6
63	1380330	Motor coupling 1-1/8 (F14)	1
64	1380350	Motor coupling 1-3/8 (F15)	1
65	1380180	Set screw	1
66	620610	Bolt	4
67	1381850	Washer	8
68	1389270	Complete pump head Ø18	1
69	1389272	Complete pump head Ø18 (NP)	1
70	1389271	Complete pump head Ø18 (NP)	1
71	1389212	Complete pump head Ø20 (NP)	1
72	1389289	Complete pump head Ø22 (NP)	1
73	1080401	Back-up ring	1
74	840370	Bearing	1
75	2280260	Hollow shaft Ø1 1/8"	1
76	2280200	Hollow shaft Ø1 1/8"	1
77	2280270	Hollow shaft Ø1 1/8"	1
78	2280280	Hollow shaft Ø1 1/8"	1
79	1380320	Bearing	1
80	621170	Oil seal	1
81	1380220	O-Ring	1
82	1380210	Shaft cover	1
83	1591	El. Motor Flange NEMA 184TC	1

## Legend

Ø 18	Ø 18	Ø 20	Ø 22
For ○	For □	For ▼	For ◆
RKA3.5G25	RKA4G20	RKA5.5G13	RKA6.5G20H
RKA3.5G30H	RKA4G30	RKA5.5G20H	
RKA3.5G40H	RKA4G30H		
	RKA4G36H		
	RKA4G40H		
For ●			For ■
RKA4.5G17			RKA7G20H
RKA4.5G25			

## Repair Kits

Water Seals	Valves	Pistons	Oil Seals
Kit 1857 Ø18	Kit 2864	Kit 2546 Ø18	Kit 1855 N Version
Kit 1887 Ø20		Kit 2547 Ø20	Kit 1856 E Version
Kit 1888 Ø22		Kit 2759 Ø22	

Pos.	Qty.	Pos.	Qty.	Pos.	Qty.	Pos.	Qty.
11	3	3	6	22	3	15	3
13	3	4	6	23	3	18	2
14	3			24	3	30	1
				25	3	35	N Version 1
				26	3	59	E Version 1
				53	3	60	E Version 1

## Support Rings

Kit 1829 Ø18	
Kit 1815 Ø20	
Kit 1816 Ø22	
Pos.	Qty.
10	3

## Special Parts

Code	Description	Qty.
2809	Viton water seals Ø18	1
2810	Viton water seals Ø20	1
2811	Viton water seals Ø22	1
2819	Water seal in 180°F Ø18	1
2820	Water seal in 180°F Ø20	1