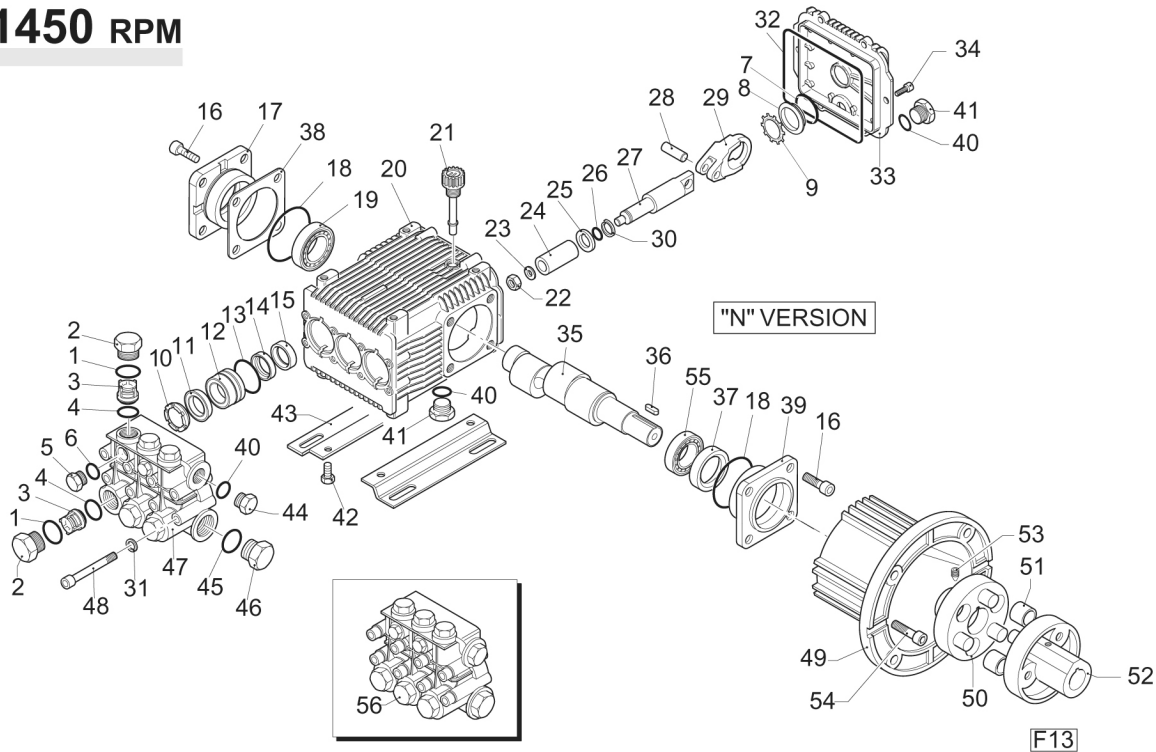


RK 1450 RPM



Pos.	Code	Description	Qty.	Pos.	Code	Description	Qty.
1	960160	O-Ring	6	30	1080401	Back-up ring	3
2	960090	Brass valve cap (478 in/lbs)	6	31	1381850	Washer	8
3	960850	SS valve cap(478 in/lbs)	6	32	1780510	O-Ring	1
4	1380740	NP valve cap(478 in/lbs)	6	33	1789010	Complete cover	1
5	960090T	Brass valve cap 1/4" threaded	1	34	1343510	Bolt (89 in/lbs)	6
6	960850T	SS valve cap 1/4" threaded	1	35	2280100	Crankshaft	1
7	1389051	Complete valve	6	36	2280080	Crankshaft	1
8	880830	O-Ring	6	37	2280070	Crankshaft	1
9	880581	Brass plug 1/4G	2	38	2280060	Crankshaft	1
10	1380690	NP plug 1/4G	2	39	1380520	Key	1
11	820510	O-Ring	2	40	180340	Oil seal	1
12	1260430	Snap ring	1	41	1380120	0.10mm shim	1-3
13	1260250	Oil sight glass	1	42	1380130	0.20mm shim	1-3
14	1140450	O-Ring	1	43	1380530	0.25mm shim	1-3
15	960110	Support ring	3	44	1382810	0.05mm shim	1-3
16	840300	Support ring	3	45	1380040	Open bearing sup. (217 in/lbs)	1
17	840320	Support ring	3	46	740290	O-Ring	3
18	880320	High pressure packing	3	47	1980740	3/8" G plug	2
19	840290	High pressure packing	3	48	1260470	Bolt	4
20	840330	High pressure packing	3	49	1380141	Mounting Rail	2
21	1380090	Piston guide	3	50	43b 1837	1-1/4" Rail Kit	1
22	1380150	Piston guide	3	51	43c 2633	5/8" Rail Kit	1
23	1380160	Piston guide	3	52	43d 2633H	2-5/8" Rail Kit	1
24	961240	O-Ring	3	53	1980740	3/8" G plug	1
25	880330	Low pressure seal	3	54	1981180	3/8" G plug (NP)	1
26	840280	Low pressure seal	3	55	180101	O-Ring	1
27	840340	Low pressure seal	3	56	820361	Plug 1/2G	1
28	1383130	Oil seal	3		960870	Plug 1/2G (NP)	1
29	850370	Bolt (217 in/lbs)	8		1381071	Pump head Ø18	1
30	1380050	Closed bearing sup.	1		1381070	Pump head Ø18 (NP)	1
31	640030	O-Ring	2		1380680	Pump head Ø20-Ø22	1
32	2280240	Bearing	1		48 820150	Screw (217 in/lbs)	8
33	1382770	Pump housing	1		49 1380380	El. Motor flange	1
34	880130	Oil cap	1		50 1380300	Pump coupling	1
35	962010	Nut (106 in/lbs)	3		51 1321670	Bushing	6
36	962000	Washer	3		52 1380330	Motor coupling 1-1/8 (F14)	1
37	1380940	Piston	3		53 1380350	Motor coupling 1-3/8 (F15)	1
38	1380930	Piston	3		54 1380180	Grub screw	1
39	1382360	Piston	3		55 620610	Screw	4
40	1380950	Spacer	3		56 840370	Bearing	1
41	600180	O-Ring	3		1389270	Complete pump head Ø18	1
42	1380920	Guiding piston	3		1389272	Complete pump head Ø18 (NP)	1
43	1380060	Piston pin	3		1389271	Complete pump head Ø18 (NP)	1
44	1383050	Aluminum con-rod <3000 PSI	3		1389212	Complete pump head Ø20 (NP)	1
45	1383020	Bronze con-rod >3000 PSI	3		1389220	Complete pump head Ø22 (NP)	1

Legend

Ø 18	Ø 18	Ø 20	Ø 22
For ○	For □	For ▼	For ◆
RK11.14	RK13.12	RK18.20H	RK21.20H
RK11.20H	RK13.20H		
For ●	For ■		
RK15.15	RK14.16		
RK15.20H			
RK15.28H			

Repair Kits

Water Seals	Valves	Pistons	Oil Seals
Kit 1857 Ø18	Kit2864	Kit 2546 Ø18	Kit1855
Kit 1887 Ø20		Kit 2547 Ø20	
Kit 1888 Ø22		Kit 2759 Ø22	

Pos.	Qty.	Pos.	Qty.	Pos.	Qty.	Pos.	Qty.
11	3	3	6	22	3	15	3
13	3	4	6	23	3	18	2
14	3			24	3	32	1
				25	3	37	1
				26	3		
				57	3		

Support Rings

Kit 1829 Ø18	
Kit 1815 Ø20	
Kit 1816 Ø22	

Pos.	Qty.
10	3

Special Parts

Code	Description	Qty.
2809	Viton water seals Ø18	1
2810	Viton water seals Ø20	1
2811	Viton water seals Ø22	1
2819	Water seal in 180°F Ø18	1
2820	Water seal in 180°F Ø20	1