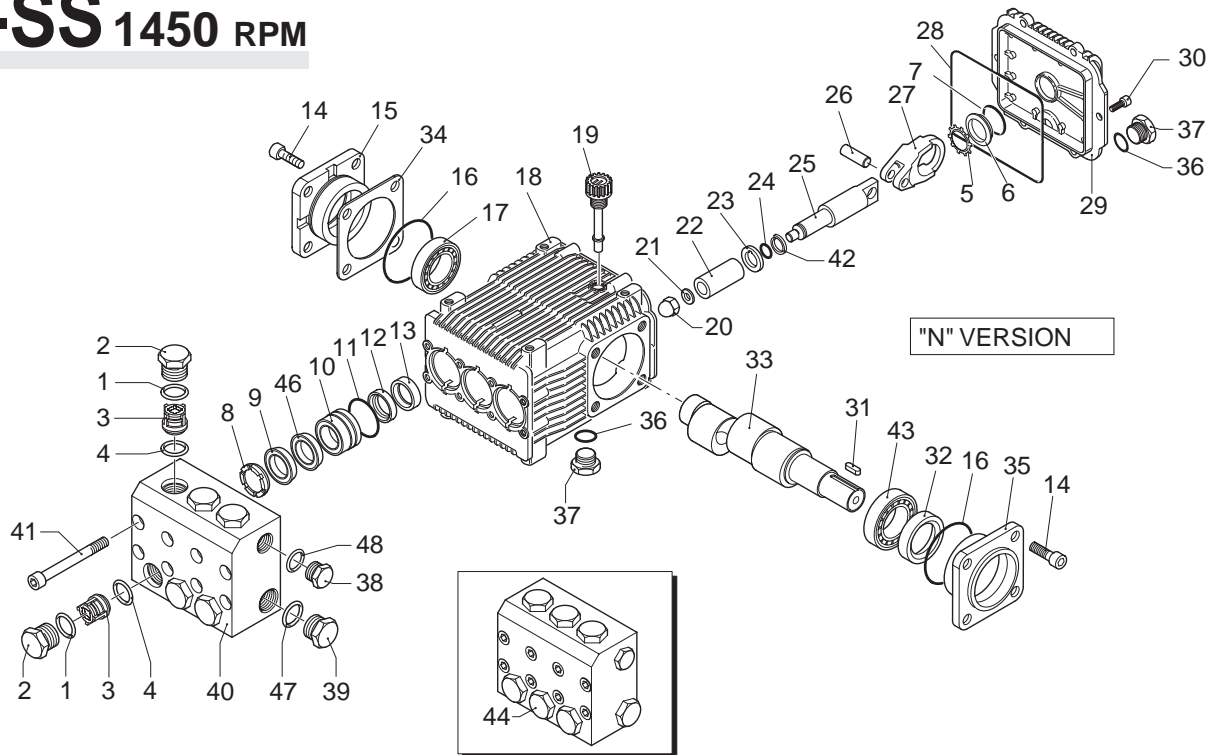


RK-SS 1450 RPM



Pos.	Code	Description	Qty.
1	960161	O-Ring	6
2	2340030	Valve cap (478 in/lbs)	6
3	960850T	SS Valve cap 1/4" threaded	1
4	2349050	Complete valve	6
5	880831	O-Ring	6
6	1260430	Snap ring	1
7	1260250	Oil sight glass	1
8	1140450	O-Ring	1
9	960110	Support ring	3
10	880321	High pressure packing	3
11	2340140	Piston guide	3
12	961241	O-Ring	3
13	880331	Low pressure seal	3
14	880520	Oil seal	3
15	2340240	Bolt (217 in/lbs)	8
16	2349011	Complete side cover	1
17	640030	O-Ring	2
18	2280240	Bearing	1
19	2340260	Pump housing	1
20	880130	Oil cap	1
21	2340060	Nut (106 in/lbs)	3
22	2340200	Washer	3
23	1383230	Piston	3
24	2340110	Slinger	3
25	480482	O-Ring	3
26	2340070	Guiding piston	3
27	1380060	Piston pin	3
28	1383020	Bronze con-rod	3
29	1780510	O-Ring	1
30	2349010	Complete cover	1
31	2340250	Bolt (89 in/lbs)	6
32	1380520	Key	1
33	180340	Oil seal	1
34	2280100	Crankshaft	○ 1
35	2280080	Crankshaft	□ 1
36	2280060	Crankshaft	▽ 1
37	1382810	0.05 mm shim	1-3
38	1380120	0.10 mm shim	1-3
39	1380130	0.20 mm shim	1-3
40	1380530	0.25 mm shim	1-3
41	2340280	Open bearing sup. (217 in/lbs)	1
42	740290	O-Ring	2

Pos.	Code	Description	Qty.
37	2340350	3/8" G plug	2
38	2340050	Plug 3/8NPT	1
39	2340350	Plug 3/8G	1
40	2340040	Plug 1/2NPT	1
41	2340360	Plug 1/2G	1
42	2340020	Complete pump head NPT	1
43	2340370	Complete pump head G	1
44	1383440	Head bolt (217 in/lbs)	8
45	2340190	Ring	3
46	840370	Bearing	1
47	2349200	Pump head assembly NPT	1
48	2349203	Pump head assembly G	1
49	2340310	Back-up ring	3
50	180102	O-Ring	1
51	740291	O-Ring	1

Legend		
Ø18	Ø18	Ø18
For ○	For □	For ▽
RK-SS11.11	RK-SS13.17	RK-SS15.15

Repair Kits							
Water Seals		Valves		Pistons		Oil Seals	
Kit 2516		Kit 2514		Kit 2552		Kit 2528	
Pos.	Qty.	Pos.	Qty.	Pos.	Qty.	Pos.	Qty.
9	3	3	6	20	3	13	3
11	3	4	6	21	3	16	2
12	3			22	3	28	1
46	3			23	3	32	1
				24	3		
				42	3		

Support Rings	
Kit 1829	
Pos.	Qty.
8	3