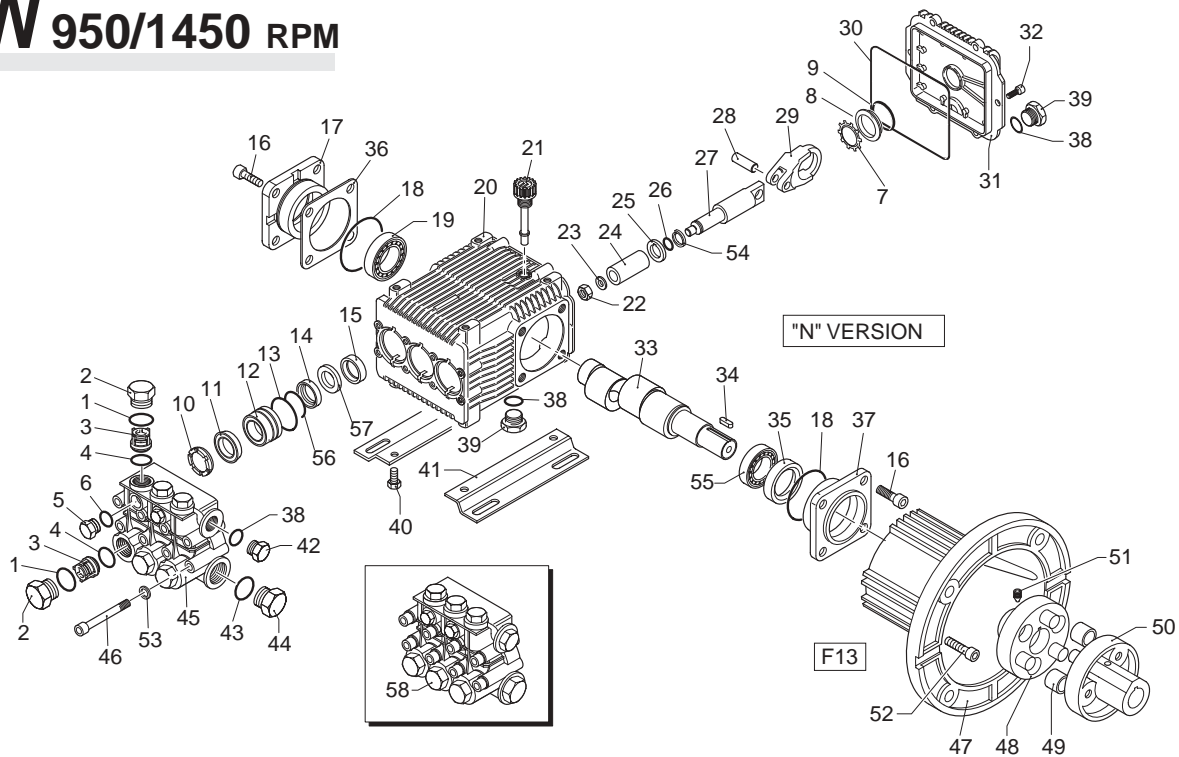


# RCW 950/1450 RPM



Pos.	Code	Description	Qty.
1	960160	O-Ring	6
2	1380740	Valve cap (478 in/lbs)	6
	960850T	SS Valve cap 1/4" threaded	1
3	1389051	Complete valve	6
4	880830	O-Ring	6
5	1380690	Plug 1/4G	2
6	820510	O-Ring	2
7	1260430	Snap ring	1
8	1260250	Oil sight glass	1
9	1140450	O-Ring	1
10	960110	Support ring	Ø18 3
11	840320	Support ring	Ø22 3
12	1382740	High pressure packing	Ø18 3
	1940270	High pressure packing	Ø22 3
13	1380090	Piston guide	Ø18 3
	1382730	Piston guide	Ø22 3
14	961240	O-Ring	3
	1382590	Low pressure seal	Ø18 3
	1940480	Low pressure seal	Ø22 3
15	880520	Oil seal	3
16	850370	Bolt (217 in/lbs)	8
17	1380050	Closed bearing support	1
18	640030	O-Ring	2
19	2280340	Bearing	1
20	1382770	Pump housing	1
21	880130	Oil cap	1
22	1260110	Nut (106 in/lbs)	3
23	1260100	Washer	3
24	1383230	Piston	Ø18 3
	1383340	Piston	Ø22 3
25	1383350	Slinger	3
26	480480	O-Ring	3
27	1383240	Guiding piston	3
28	1380060	Piston pin	3
29	1383020	Con-rod	3
30	1780510	O-Ring	1
31	1789010	Complete cover	1
32	1343510	Bolt (89 in/lbs)	6
33	2280060	Crank shaft	○▽ 1
	2280070	Crank shaft	◆ 1
	2280100	Crank shaft	□ 1
34	1380520	Key	1
35	180340	Oil seal	1

Pos.	Code	Description	Qty.
36	1382810	Shim 0.05 mm	1 - 3
	1380120	Shin 0.10 mm	1 - 3
	1380130	Shim 0.20 mm	1 - 3
	1380530	Shim 0.25 mm	1 - 3
37	1380040	Open bearing sup. (217 in/lbs)	1
38	740290	O-Ring	3
39	1980740	Plug 3/8G	2
40	1260470	Bolt	4
41	1380141	Mounting rail	2
41b	1837	1-1/4" Rail Kit	1
41c	2633	5/8" Rail Kit	1
41d	2633H	2-5/8" Rail Kit	1
42	1981180	Plug 3/8G	1
43	180101	O-Ring	1
44	960870	Plug 1/2G	1
45	1381070	Pump head	Ø18 1
	1380680	Pump head	Ø22 1
46	1383440	Head bolt (217 in/lbs)	8
47	1380380	Flange	1
48	1380300	Pump coupling	1
49	1321670	Bushing	6
50	1380330	Motor coupling 1-1/8 (F14)	1
	1380350	Motor coupling 1-3/8 (F15)	1
51	1380180	Set screw	1
52	620610	Bolt	4
53	1381850	Washer	8
54	1080550	Ring	3
55	1383140	Bearing	1
56	1383400	Split support ring	Ø18 3
	1941220	Split support ring	Ø22 3
57	1382570	Retainer	Ø18 3
	1382710	Retainer	Ø22 3
58	1389261	Complete pump head	Ø18 1
	1389262	Complete pump head	Ø22 1

Legend			
Ø18	Ø18	Ø18	Ø22
950 RPM	1450 RPM	1450 RPM	950 RPM
For ○	For □	For ▼	For ◆
RCW10.15	RCW11.10	RCW15.15	RCW15.14

Repair Kits			
Water Seals	Valves	Pistons	Oil Seals
Kit 2502 Ø18		Kit 2539 Ø18	
Kit 2503 Ø22	Kit 2864	Kit 2541 Ø22	Kit 2528
Pos. Qty.	Pos. Qty.	Pos. Qty.	Pos. Qty.
10 3	3 6	22 3	15 3
11 3	4 6	23 3	18 2
13 3		24 3	30 1
14 3		25 3	35 1
56 3		26 3	
57 3		54 3	