



MOSMATIC

high pressure
cleaning

hochdruck
reinigung



 swiss quality

R30

www.mosmatic.com

about **USA** **us**



MOSMATIC sets the standard

In today's wide range of surface cleaning, MOSMATIC stands out as one of the leading manufacturers of tooling and components.

Our Swiss made products continue to set milestones in the industry and are regarded as innovative and durable.

Working throughout the world with manufacturers of industrial equipment, cleaning systems and production machinery has provided MOSMATIC with unlimited experience. The result of this close cooperation is excellent customer service and extensive knowledge for assistance in tooling and product placement.

High pressure cleaning catalog R30

In this catalog you will find our extensive range of products which are used for a multitude of applications.

This catalog was created with a lot of attention and precision, nevertheless, there are possibilities of printing and typing errors.

All data and measurements are without liability. We reserve the right to make technical modifications at any time without prior notification.

All rights reserved. Reproduction, in whole or in part, without our permission is not allowed.

Company Objectives

We are an educated sales force that believes in quality products and can provide outstanding customer service. We strive to be a trustworthy partner to our customers.

The implementation of the Quality Management System will strengthen our well known, high quality standard. Our health and safety policy is equally as important as our quality policy. Our state of the art equipment guarantees safety and precision.

Highly motivated employees are the key to success. Through internal and external training and information sessions, we train our employees to become competent team players. Through excellent service to our customers we improve our market position. We are constantly striving for excellence. Our experience and involvement in the High Pressure Technology Market since 1978

represents the foundation of our products and future developments. Through constant improvements in design, efficiency and longevity, we set standards in the industry.

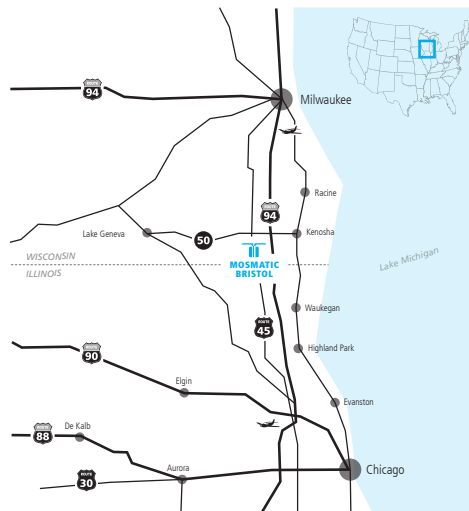
Feel free to contact us regarding any questions you have about Applications or Special Designs. A MOSMATIC Representative will gladly assist you in choosing the Product to best fit your application needs.

Thank you for YOUR interest in our products.

Your MOSMATIC-Team



MOSMATIC Corporation
8313-196th Ave. P.O. Box 400
BRISTOL, WI 53104-0400 USA
Phone 1-800-788-9880
Fax 262-857-2421
Email swivels@mosmatic.com
Internet www.mosmatic.com



Index

Surface Cleaner	Type	Page
Info page	---	49
Gum Remover	FL-AH-KAU	50
Professional	FL-AH	51
Allrounder	FL-AE	52
Graffiti Remover	FL-AB	53
Contractor	FL-PH	54
Commercial	FL-C	55
Universal	FL-E	56
Roof Cleaner	DR	57
Undercarriage Cleaner	TUW	58
Conversion Kit	FL-Z	59

Nozzles		
Nozzles Reference	---	59

Rotor products		
Duct Cleaner	TYR	60
Silo Cleaner	Silo-R	61
Manhole Cleaner	TYR	61
Industry	---	62
Rotation system	TRS	63
Rotor arms	TKA	64

Swivels / Rotary unions		
DY-Series high RPM rotary unions	DYT, DYCI, DYF, DYG, DYL	65
Rotary unions for Hose	DGV, DGS, DGK	66
90° rotary unions	WDG, WDB, WDBS, WDC, WDCS	67

Accessories		
Fittings	QVS, VER	68

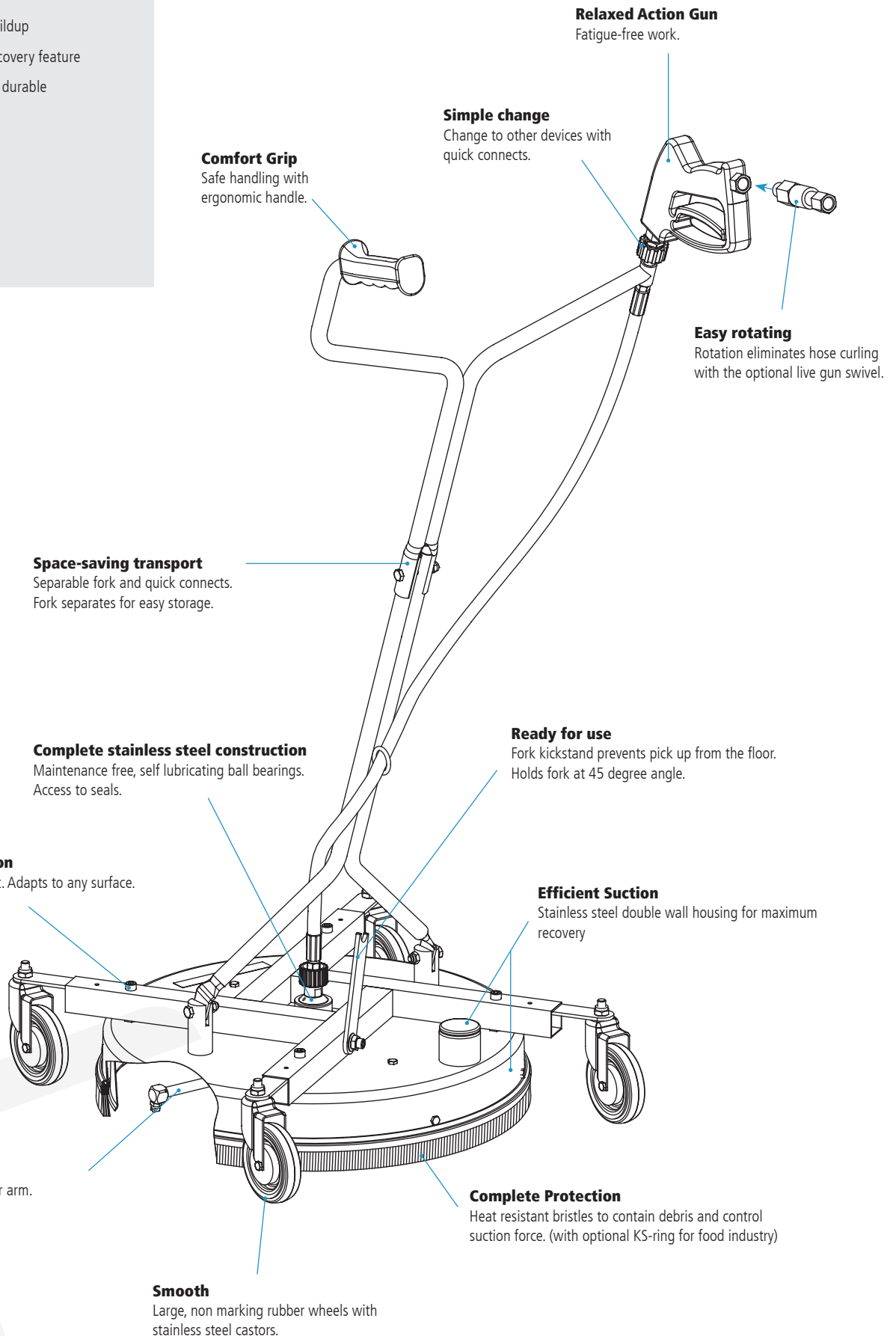


PROFESSIONAL SURFACE CLEANER



MOSMATIC - Only the best is good enough:

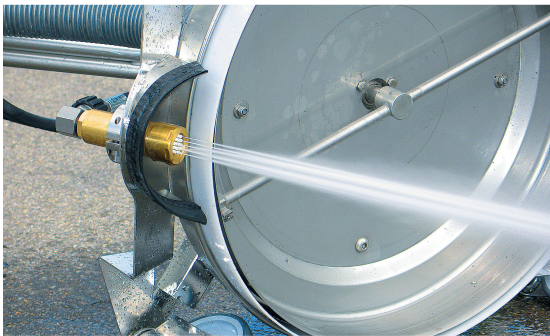
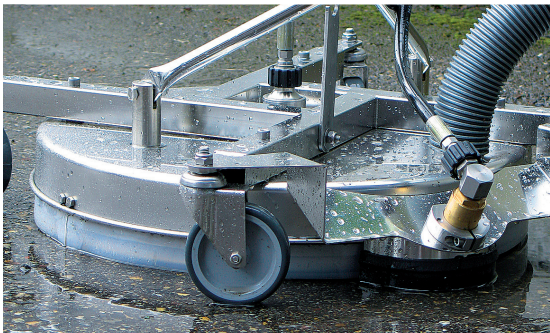
- ✓ designed for professional use
- ✓ complete stainless steel construction
- ✓ time saving cleaning
- ✓ efficient even on heavy buildup
- ✓ eco-friendly with water recovery feature
- ✓ Swiss Quality - strong and durable



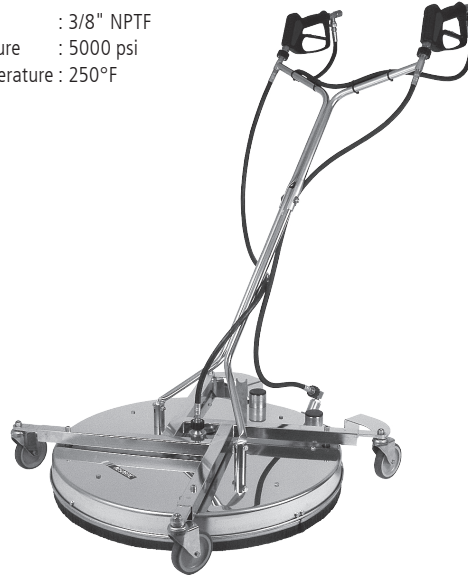
GUM REMOVER

As MOSMATIC surface cleaners are already known in the surface cleaner market, we would like to present the „New Star“ in our professional cleaning line. The „FL-AH-KAU“. It is based on the FL-AH surface cleaner with an added gum remover.

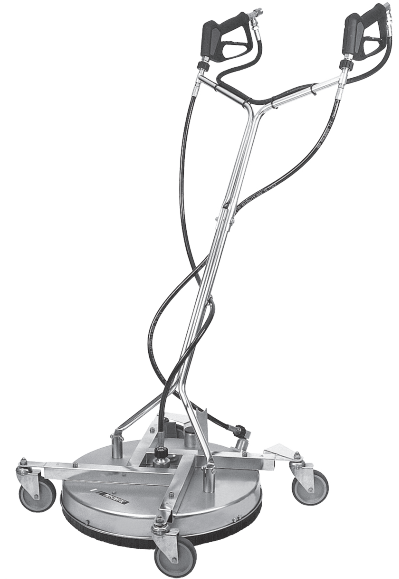
You may have noticed a lot of streets in public places, like municipal parks, railroad stations and schools are covered with chewing gum. This is the perfect place to use our new cleaner with the gum remover. The special gum remover nozzle is mounted on the back of the cleaner. The right hand gun is for the surface cleaner and the left hand gun is for the gum remover or other tough spots. The flat angle of the nozzle lifts and breaks up the gum for easy removal.



Inlet : 3/8" NPTF
 Pressure : 5000 psi
 Temperature : 250°F



FL-AHB-KAU 750



FL-AHB-KAU 520

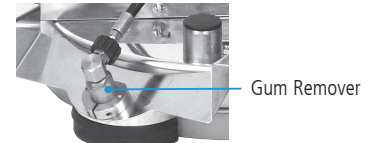
Name	Part No.	ø	Weight	Swivel	Rotor Arm	Nozzles	HP-Gun	Stainless Steel Castor	Gum Remover Nozzle
FL-AHB-KAU 520	80.786	21"	44 lbs	1x DYCI	2x 1/8" NPTF	2x 1503	2x	4x ø 4"	Must be ordered separately!
FL-AHK-KAU 520*	80.787	21"	44 lbs	1x DYCI	2x 1/8" NPTF	2x 1503	2x	4x ø 4"	Part. No. 29.102
FL-AHB-KAU 750	80.788	30"	58.5 lbs	1x DYCI	3x 1/8" NPTF	3x 1503	2x	4x ø 4"	

* with Plastic Ring instead of brush ring

FEATURES

Gum Remover

The special gum remover nozzle is mounted on the back of the cleaner. The right hand gun is for the surface cleaner and the left hand gun is for the gum remover or other tough spots.

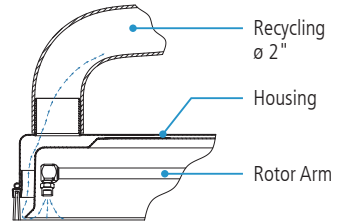


Part No. 29.102

Recovery System

This feature is a must for anyone looking for the perfect cleaning solution.

This specially designed cleaning feature will allow you to recover the water and dirt from your cleaning area.



Height Adjustable

Stainless steel guard for extra strength and stability. Efficient cleaning with adjustable housing.



Premium Quality

Four 4" stainless steel castors with custom mounting brackets ensure easy maneuvering even in tight spaces.

Stainless Steel Castor

Part No. 80.956

High Pressure Rotor Arms

Both styles can withstand up to 7300 psi, are precision welded and balanced.



2cw2 (2 Arms / 2 Nozzles) Part No. 82.946 (diameter 18.5")
3cw3 (3 Arms / 3 Nozzles) Part No. 82.947 (diameter 27.5")

Swiss Engineering

High rpm stainless steel swivel features reinforced self lubricated stainless steel ball bearings for improved performance. The dual spring based carbide seal system, guarantees long lasting operation.



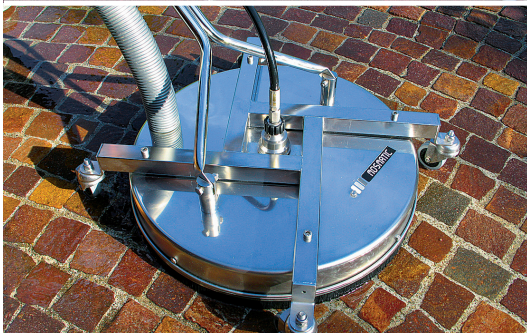
DYCI Swivel

Part No. 55.253

PROFESSIONAL

Connect a vacuum unit to the FL-AH surface cleaner and get cleaning results like never before. The FL-AH surface cleaner will recover dirt and grime from most any cleaning job. Ideal for indoor or outdoor cleaning. Clean gas stations, industrial food processing plants, garages, warehouses and more.

This series features four 4" stainless steel, rubber treaded castors, a reinforced 21"/30" stainless steel deck and a specially engineered high rpm swivel which guarantees long lasting operation under tough conditions.



Inlet : 3/8" NPTF / G1/4" M
 Pressure : 5000/7300 psi
 Temperature : 250°F



FL-AH 750



FL-AH 520

Name	Part No.	ø	Weight	Swivel	Rotor Arm	Rotor Nozzles	HP-Gun	Stainless Steel Castor
FL-AH 520	80.784	21"	38.5 lbs	1x DYCI	2x 1/8" NPTF	2x 1503	1x	4x ø 4"
FL-AHY 520*	80.189	21"	37.3 lbs	1x DYDI	2x 1/8" NPTF	--	--	4x ø 4"
FL-AH 750	80.785	30"	51.8 lbs	1x DYCI	3x 1/8" NPTF	3x 1503	1x	4x ø 4"

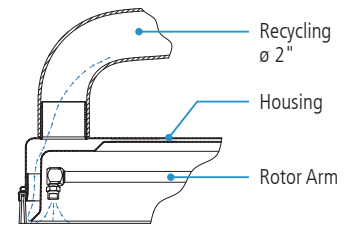
* Pressure: 7300 psi / Inlet 1/4" NPTM

FEATURES

Recovery System

This feature is a must for anyone looking for the perfect cleaning solution.

This specially designed cleaning feature will allow you to recover the water and dirt from your cleaning area.



Height Adjustable

Stainless steel guard for extra strength and stability. Efficient cleaning with adjustable housing.



Premium Quality

Four 4" stainless steel castors with custom mounting brackets ensure easy maneuvering even in tight spaces.

Stainless Steel Castor

Part No. 80.956

High Pressure Rotor Arms

Both styles can withstand up to 7300 psi, are precision welded and balanced.

2cw2 (2 Arms / 2 Nozzles)

Part No. 82.946 (diameter 18.5"), 1/8"
 Part No. 82.941 (diameter 18.5"), 1/4"

3cw3 (3 Arms / 3 Nozzles)

Part No. 82.947 (diameter 27.5")



Swiss Engineering

High rpm stainless steel swivel features reinforced self lubricated stainless steel ball bearings for improved performance. The dual spring based carbide seal system, guarantees long lasting operation.



DYCI Swivel
 Part No. 55.253

DYDI Swivel (7300 psi)
 Part No. 55.263

R30

ALLROUNDER

This multi function, multi task surface cleaner line is used to clean brick walls, RV's, boats, stadium stairs, kennels, sidewalks, carwash walls, windows and other hard to clean surfaces.

No overspray or flying debris guarantees a safe, clean work area. Features include: Stainless steel 8"/12" deck construction, fluid recovery system, the newly developed toggle swivel, a quick connect wand, and HP-gun. The economy line is ready to use, with no tools required for assembly.



Inlet : 3/8" NPTF
 Pressure : 4000 psi
 Temperature : 250°F



FL-AER 300



FL-AER 200

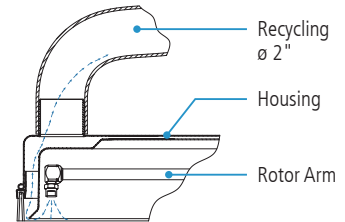
Name	Part No.	ø	Weight	Swivel	Rotor Arm	Nozzles	HP-Gun	Stainless Steel Castor
FL-AER 200	78.290	8"	9.2 lbs	1x KDYF	2x 1/8" NPTF	2x 1503	1x	3x ø 1¾"
FL-AER 300	78.292	12"	12.3 lbs	1x KDYF	2x 1/8" NPTF	2x 1503	1x	3x ø 2¼"

FEATURES

Recovery System

This feature is a must for anyone looking for the perfect cleaning solution.

This specially designed cleaning feature will allow you to recover the water and dirt from your cleaning area.



Finest New Product

Introducing the industries first toggle swivel. Contractor duty high rpm swivel with integrated toggle joint allows for use as floor and wall cleaner. The toggle joint feature comes with an adjustable tension system to allow effortless cleaning on walls and angled surfaces.



KDYF Toggle Swivel

Part No. 58.908

Stainless Steel Castor

Heavy duty 2¼" castors with custom mounting brackets ensure easy maneuvering and longevity.



Stainless Steel Castor

Part No. 80.943

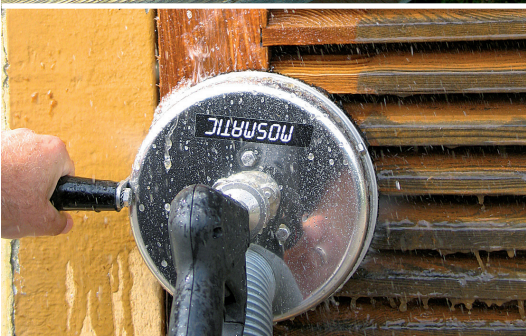
Castors for FL-AER 200

Part No. 80.922

GRAFFITI REMOVER

The basic professional wall and surface cleaner FL-ABB 200 and FL-ABB 300, are used for: Graffiti removal, restoration of various surfaces, building cleaning, etc.

This surface cleaner with recovery is the perfect tool to clean any kind of hard to remove dirt, paint, etc... No over spray or flying debris guarantees a safe and clean work environment. Features include: Stainless steel deck, the new DYW swivel and high pressure gun. The professional line is ready to use with no tools required for assembly.



Inlet : 3/8" NPTF
 Pressure : 5000 psi
 Temperature : 250°F



FL-ABB 300



FL-ABB 200

Name	Part No.	ø	Weight	Swivel	Rotor Arm	Rotor Nozzles	HP-Gun
FL-ABB 200	78.285	8"	6.0 lbs	1x DYW	2x 1/8" NPTF	2x 1503	1x
FL-ABB 200*	78.286	8"	6.2 lbs	1x DYW	2x 1/8" NPTF	2x 1503	1x
FL-ABB 300	78.287	12"	7.1 lbs	1x DYW	2x 1/8" NPTF	2x 1503	1x
FL-ABB 300*	78.288	12"	7.3 lbs	1x DYW	2x 1/8" NPTF	2x 1503	1x

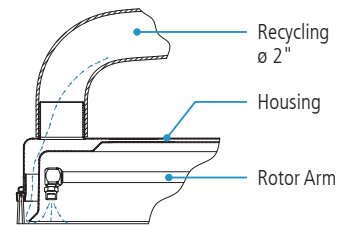
* with Plastic Ring

FEATURES

Recovery System

This feature is a must for anyone looking for the perfect cleaning solution.

This specially designed cleaning feature will allow you to recover the water and dirt from your cleaning area.



Brush

Ideal for outside applications such as concrete, brick, limestone or wood surfaces.



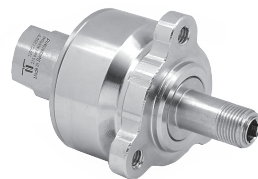
Plastic Ring

For hygienic reasons, prevents product adherence for purity regulation in the food and clinical industries.



Swiss Engineering

High rpm stainless steel swivel features reinforced self lubricated stainless steel ball bearings for improved performance. The dual spring based carbide seal system, guarantees long lasting operation under tough conditions.



DYW Swivel
 Part No. 55.020

CONTRACTOR

No cleaning task is too much for this professional surface cleaner. Clean large areas like gas stations, parking lots, airport hangars and school yards. Industrial strength insures longevity.

The series features four 4" stainless steel, rubber treaded castors, a reinforced 21"/30" stainless steel deck and a specially engineered high rpm swivel which guarantees long lasting operation under tough conditions.



Inlet : 3/8" NPTF
 Pressure : 4000 psi
 Temperature : 250°F



FL-PH 750



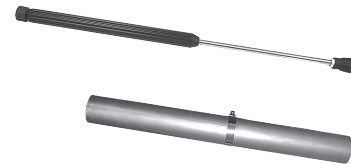
FL-PH 520

Name	Part No.	ø	Weight	Swivel	Rotor Arm	Wand Nozzles	Rotor Nozzles	HP-Gun	Stainless Steel Castor
FL-PH 520	80.774	21"	35.7 lbs	1x DYCI	2x 1/8" NPTF	1x 1506	2x 1503	1x	4x ø 4"
FL-PH 750	80.775	30"	49.6 lbs	1x DYCI	3x 1/8" NPTF	1x 1508	3x 1503	1x	4x ø 4"

FEATURES

Two Tools In One

The 30" wand quick connects to the existing HP-gun. Always handy, this wand is ideal for cleaning out corners and other hard to reach areas, allowing you to go where your surface cleaner cannot. Wand and wand holder are included.



Height Adjustable

Stainless steel guard for extra strength and stability. Efficient cleaning with adjustable housing.



Premium Quality

Four 4" stainless steel castors with custom mounting brackets ensure easy maneuvering even in tight spaces.

Stainless Steel Castor

Part No. 80.956

High Pressure Rotor Arms

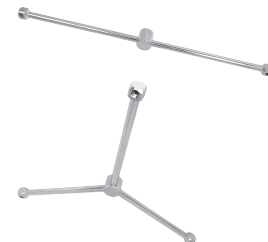
Both styles can withstand up to 4000 psi, are precision welded and balanced.

2cw2 (2 Arms / 2 Nozzles)

Part No. 82.942 (diameter 18.5")

3cw3 (3 Arms / 3 Nozzles)

Part No. 82.943 (diameter 27.5")



Swiss Engineering

High rpm stainless steel swivel features reinforced self lubricated stainless steel ball bearings for improved performance. The dual spring based carbide seal system, guarantees long lasting operation.



DYCI Swivel

Part No. 55.253

COMMERCIAL



The perfect cleaner for any type of contractor work. The stainless steel castors guarantee an effortless cleaning experience even for extended use. Clean sidewalks, parking lots, tennis courts, shop floors, patios or any other large surface. This series features a specially engineered high rpm swivel which guarantees long lasting operation under tough conditions.

Inlet : 3/8" NPTF / 1/4" NPTM
 Pressure : 4000/7300 psi
 Temperature : 250°F



FL-CR 750

FL-CR 520

FL-CG 520

Name	Part No.	ø	Weight	Swivel	Rotor Arm	Nozzles	HP-Gun	Stainless Steel Castor
FL-CG 520	80.770	21"	22.7 lbs	1x DYCI	2x 1/8" NPTF	2x 1503	1x	--
FL-CR 520	80.771	21"	26.4 lbs	1x DYCI	2x 1/8" NPTF	2x 1503	1x	4x ø 2¼"
FL-CRY 520*	80.159	21"	25.4 lbs	1x DYDI	2x 1/8" NPTF	--	--	4x ø 2¼"
FL-CR 750	80.772	30"	34.1 lbs	1x DYCI	3x 1/8" NPTF	3x 1503	1x	4x ø 2¼"

* Pressure: 7300 psi / Inlet 1/4" NPTM

FEATURES

High Pressure Rotor Arms

Both styles can withstand up to 4000 psi, are precision welded and balanced.

2cw2 (2 Arms / 2 Nozzles)

Part No. 82.942 (diameter 18.5")
 Part No. 82.946 (diameter 18.5"), 1/8", 7300 psi
 Part No. 82.941 (diameter 18.5"), 1/4", 7300 psi

3cw3 (3 Arms / 3 Nozzles)

Part No. 82.943 (diameter 27.5")

Premium Quality

Four 2¼" stainless steel castors with custom mounting brackets ensure easy maneuvering, extended life and performance under harsh conditions.

Stainless Steel Castor

Part No. 80.912

Castor Kit (4 x Castors)

Part No. 80.917

Swiss Engineering

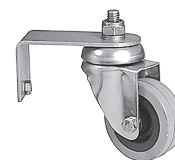
High rpm stainless steel swivel features reinforced self lubricated stainless steel ball bearings for improved performance. The dual spring based carbide seal system, guarantees long lasting operation.

DYCI Swivel

Part No. 55.253

DYDI Swivel (7300 psi)

Part No. 55.263



R30

55

USA

UNIVERSAL

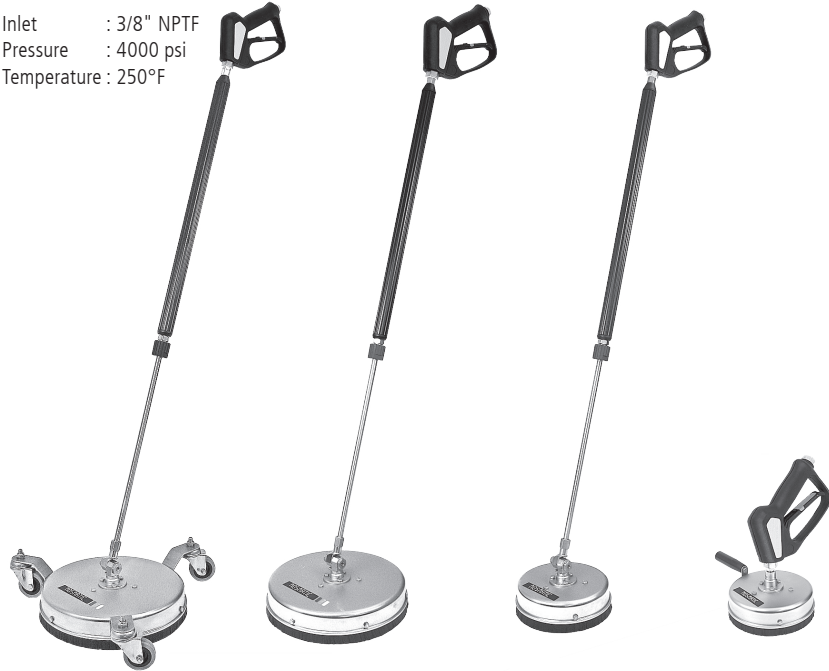
This multi function, multi task surface cleaner line is used to clean brick walls, RV's, boats, stadium stairs, kennels, sidewalks, car wash walls, windows and other hard to clean surfaces.

No overspray or flying debris guarantees a safe, clean work area. Features include: stainless steel deck construction, the newly developed toggle swivel and quick connect wand with a high pressure gun.

The Economy Line is ready to use with no tools required for assembly.



Inlet : 3/8" NPTF
 Pressure : 4000 psi
 Temperature : 250°F



FL-ER 300

FL-EG 300

FL-EG 200

FL-EB 200



Name	Part No.	ø	Weight	Swivel	Rotor Arm	Nozzles	HP-Gun	Wand	Stainless Steel Castor
FL-EB 200	78.250	8"	5.3 lbs	1x DYF	2x 1/8" NPTF	2x 1503	1x	---	---
FL-EG 200	78.260	8"	7.3 lbs	1x KDYF	2x 1/8" NPTF	2x 1503	1x	1x	---
FL-EG 300	78.262	12"	9.0 lbs	1x KDYF	2x 1/8" NPTF	2x 1503	1x	1x	---
FL-ER 300	78.272	12"	11.4 lbs	1x KDYF	2x 1/8" NPTF	2x 1503	1x	1x	3x ø 2 1/4"

FEATURES

Finest New Product

Introducing the industries first toggle swivel. Contractor duty high rpm swivel with integrated toggle joint allows for use as floor and wall cleaner. The toggle joint feature comes with an adjustable tension system to allow effortless cleaning on walls and angled surfaces.



KDYF Toggle Swivel

Part No. 58.908

Swiss Engineering

High rpm swivel features reinforced self lubricated ball bearings for improved performance. With dual spring based carbide seal system.



DYF Swivel

Part No. 58.000

Stainless Steel Castor

Heavy duty 2 1/4" castors with custom mounting brackets ensure easy maneuvering and longevity.



Stainless Steel Castor

Part No. 80.943

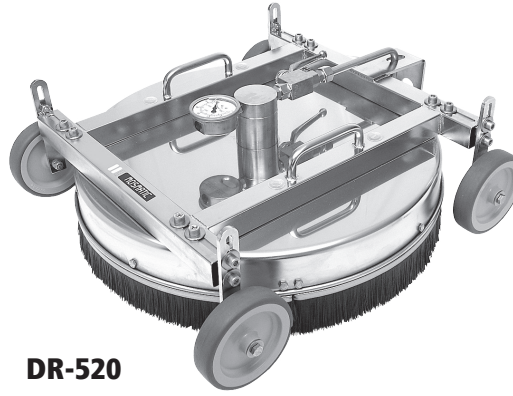
ROOF CLEANER



The MOSMATIC roof cleaner DR-520 is an industrial quality tool specially designed for efficient, high pressure roof cleaning while keeping the operator in a safe operating area.

The premium MOSMATIC swivel ensures optimum performance under harsh conditions. This new design allows the operator to maneuver and lower the roof cleaner along the roof surface by using the high pressure hose and the safety cable. The height and width adjustable cleaner works for most common roof designs, adding safety and stability.

Inlet : 3/8" NPTF / G1/4" F
 Pressure : 4000/7300 psi
 Temperature : 250°F



DR-520

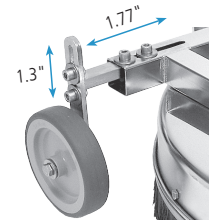
Name	Part No.	ø	Width	Height	Weight	Rotor Arm	Nozzles
DR-520	80.658	21"	21.6"-25.2"	7.7"-9"	31.9 lbs	2x 1/8" NPTF	---
DR-520*	80.662	21"	21.6"-25.2"	7.7"-9"	31.9 lbs	2x 1/8" NPTF	---

* Pressure: 7300 psi / Inlet G1/4" F

FEATURES

Height and Width Adjustable

The DR-520 is adjustable up to 3.54" extended width and 1.3" in height. It works for any type of roof design adding safety and stability.



Safety Eye

Allows you to easily secure the roof cleaner with a safety rope or cable.



Swiveling Connector

For easy hose connection.

Pressure Gauge

Use the pressure gauge to monitor your cleaning pressure. This is very important to secure optimal cleaning effect on different roof types.



Ball Valve

Makes it easy and convenient to turn off the flow to the unit.



Swiss Engineering

Swivel with reinforced self-lubricating ball bearings made of stainless steel and a carbide density system designed for high rpm. This combination promises a long life.



DYU Swivel (7300 psi)
 Part No. 59.916

DYT Swivel (4000 psi)
 Part No. 59.907



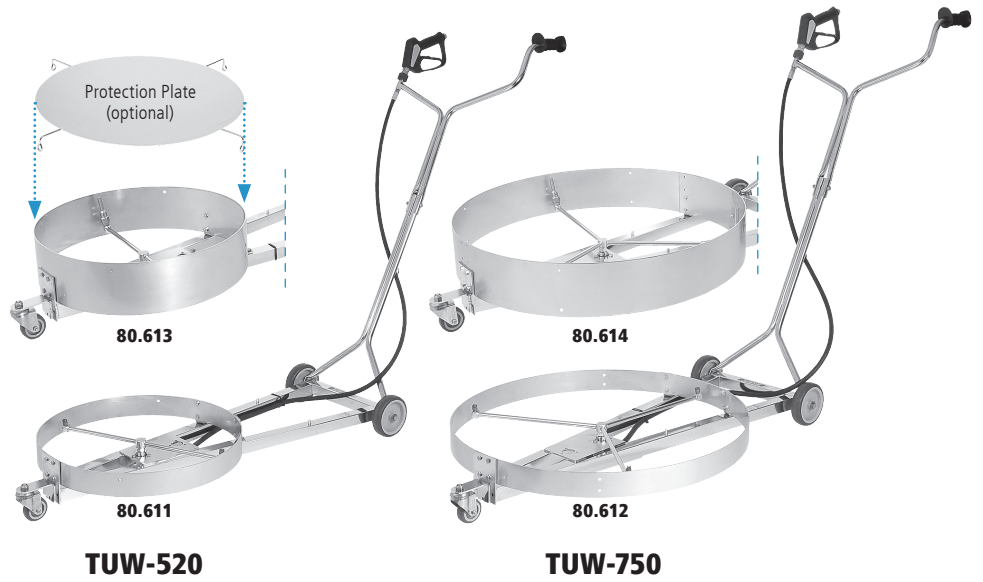
UNDERCARRIAGE CLEANER

The Mosmatic Undercarriage Cleaner makes it easy to clean the underside of vehicles. It can be used to clean cars, trucks and more.

Agricultural and Construction Machinery can be cleaned on site without the use of a car lift. The Undercarriage Cleaner is time saving and cost effective. Can be used with hot or cold water.



Inlet : 3/8" NPTF
 Pressure : 4000 psi
 Temperature : 250°F



Name	Part No.	ø	Weight	Rotor Arm	Nozzles	HP-Gun	Castor/Wheels
TUW-520	80.611	21"	27 lbs	2x 1/8" NPTF	2x 1503	1x	1x ø 2 1/4", 2x ø 4"
TUW-750	80.612	30"	31 lbs	3x 1/8" NPTF	3x 1503	1x	1x ø 2 1/4", 2x ø 4"
TUW-520	80.613	21"	33 lbs	2x Stabilizer	2x 0003	1x	1x ø 2 1/4", 2x ø 4"
TUW-750	80.614	30"	36 lbs	3x Stabilizer	3x 0003	1x	1x ø 2 1/4", 2x ø 4"

FEATURES

Stabilizer

When a stabilizer nozzle is installed on the Mosmatic Undercarriage Cleaner it has even more power. It will also increase the units reach. The version with the stabilizer nozzle also has a higher protective ring.



High Pressure Rotor Arm

Both styles can withstand up to 4000 psi, are precision welded and balanced.



Part No. 82.891 ø 18 1/2"

Part No. 82.9014 ø 27 1/2"

Protection Plate

The protection plate acts as a debris shield and it protects the Rotorarm as well as the nozzles. MOSMATIC recommends the use of the Undercarriage Cleaner with the Protection Plate.



TUW-520 Protection Plate Part No. 80.621
TUW-750 Protection Plate Part No. 80.622

Swiss Engineering

The High RPM Stainless Steel Swivel features reinforced self lubricated stainless steel ball bearings for improved performance. The dual spring based carbide seal system guarantees long lasting operation.



DYF Swivel
 Part No. 58.553

Important: Do not use unprotected!

NOZZLES REFERENCE

Pump capacity	Quantity of Nozzles / Pressure in psi:				
	Size	2	3	4	5
4 gpm	2	4000	1800	1000	700
	2.5	2200	1000	600	-
	3	1900	750	-	-
	4	1000	-	-	-
5 gpm	2	-	2800	1600	1000
	2.5	4000	1600	900	600
	3	2700	1300	600	-
	4	1500	650	-	-
	5	1000	-	-	-
6 gpm	2	-	4400	2250	1600
	2.5	-	2200	1300	900
	3	4000	1900	1000	650
	4	2400	1000	550	-
	5	1400	650	-	-
	6	1000	450	-	-
8 gpm	2	-	-	4000	2500
	2.5	-	-	2200	1500
	3	-	3200	1900	1100
	4	4000	1800	1000	600
	5	2500	1100	650	-
	6	1800	800	-	-
	7	1300	-	-	-
10 gpm	2	-	-	-	4000
	2.5	-	-	4000	2200
	3	-	-	2750	1800
	4	-	2800	1500	1000
	5	4000	1700	1000	650
	6	2750	1300	700	-
	7	2000	900	500	-
	8	1800	650	-	-
	9	1300	-	-	-



MOSMATIC offers a large variety of hardened stainless steel high pressure nozzles. All wash jet nozzles (MEG) are available in different sizes and spray angles. Standard nozzles are 1/8" NPT M, spray angles 0°, 15°, 25° and sizes 2 to 10.

Your Part No.



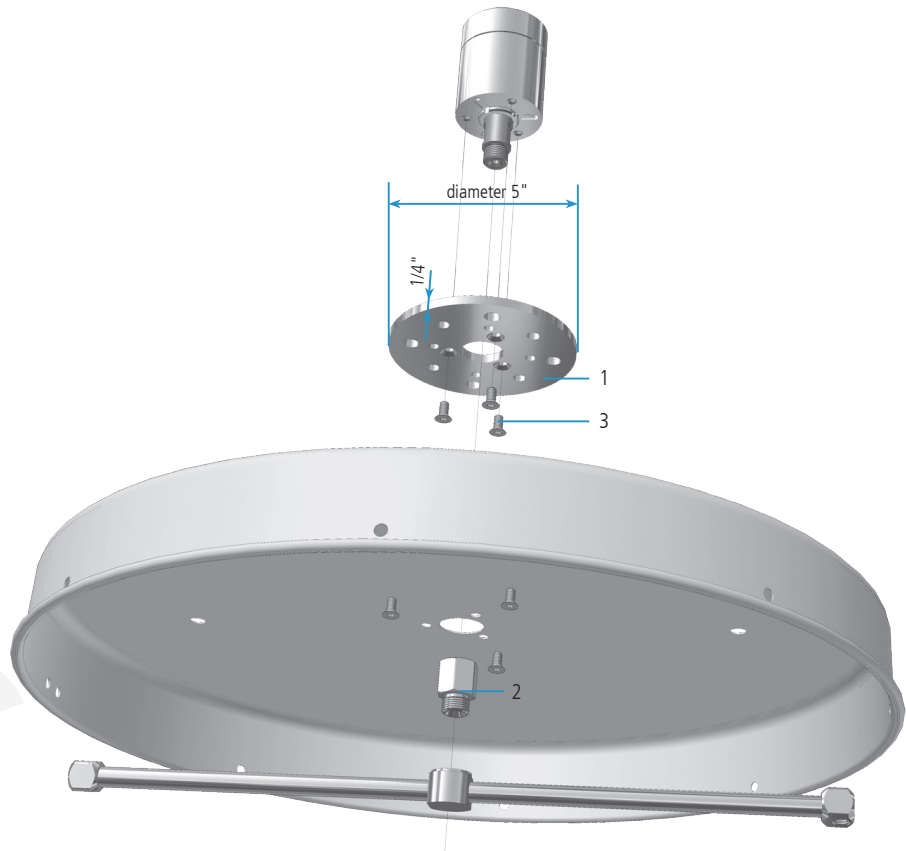
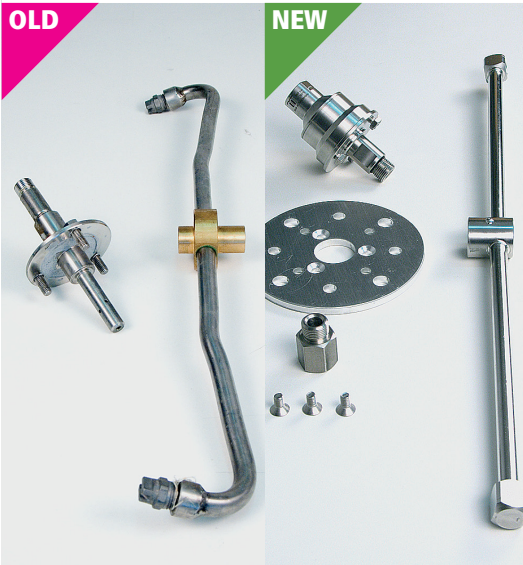
Spray angle
(available: 0°, 15°, 25°)

Size
(see chart)

CONVERSION KIT

The MOSMATIC conversion kit is the solution for your annoying swivel problems. Easily mount the conversion ring together with the adaptor on your existing surface cleaner.

Choose the corresponding MOSMATIC swivel and rotor arm to upgrade your cleaner.



CONVERSION KIT FL-Z

Consisting of: Conversion Ring (1), Adaptor (2) and Screws (3).
Part No. 55.903

Rotor arms and rotary unions, see pages 64-65.

DUCT CLEANER

Clean ducts, tanks and containers with our duct cleaner and get results like never before. Even the strongest dirt will be removed. Choose the model with adjustable rotor arms which varies the cleaning power, or choose the fixed model for a direct spray angle.

The MOSMATIC Duct Cleaner is equipped with a standard stainless steel cage protecting and prolonging the life of the rotor arm inside.

The use of the MOSMATIC Duct Cleaner is almost unlimited. Chimney, garbage disposals, drains, tanks, ducts, vents, outlets, containers, etc.



Inlet : see chart
 Pressure : 4000 psi
 Temperature : **TYR** 250°F
 TRR 90°F
 Cage : stainless steel
 Nozzles : **2f/2s** for 2 Nozzles*
 3f/3s for 3 Nozzles*
 Throughput medium : ph 3 - 12

Other sizes and versions available.
 * Nozzles are sold separately.



TYR *adjustable*

The adjustable arms allow different spray angles. Perfect for ducts and tanks.

warm water		cold water					
TYR-2s	TYR-3s	TRR-2s	TRR-3s	(81.526)			
Part No.	Part No.	Part No.	Part No.	∅	Inlet	Height	Weight
81.505	81.705	85.505	85.705	3"	1/4" NPTF	2.4"	1.1 lbs
81.506	81.706	85.506	85.706	3"	3/8" NPTF	2.4"	1.1 lbs
81.525	81.725	85.525	85.725	6"	1/4" NPTF	2.8"	2.2 lbs
81.526	81.726	85.526	85.726	6"	3/8" NPTF	2.8"	2.2 lbs
81.555	81.755	85.555	85.755	12"	1/4" NPTF	2.8"	2.8 lbs
81.556	81.756	85.556	85.756	12"	3/8" NPTF	2.8"	2.8 lbs
81.565	81.765	85.565	85.765	16"	1/4" NPTF	2.8"	3.3 lbs
81.566	81.766	85.566	85.766	16"	3/8" NPTF	2.8"	3.3 lbs
81.575	81.775	85.575	85.775	20"	1/4" NPTF	2.8"	3.5 lbs
81.576	81.776	85.576	85.776	20"	3/8" NPTF	2.8"	3.5 lbs
81.585	81.785	85.585	85.785	24"	1/4" NPTF	2.8"	3.9 lbs
81.586	81.786	85.586	85.786	24"	3/8" NPTF	2.8"	3.9 lbs



TYR *fixed*

The non adjustable arms with the horizontal spray angle is perfect for vertical chutes.

warm water		cold water					
TYR-2f	TYR-3f	TRR-2f	TRR-3f	(81.426)			
Part No.	Part No.	Part No.	Part No.	∅	Inlet	Height	Weight
81.405	81.605	85.405	85.605	3"	1/4" NPTF	2.4"	1.1 lbs
81.406	81.606	85.406	85.606	3"	3/8" NPTF	2.4"	1.1 lbs
81.425	81.625	85.425	85.625	6"	1/4" NPTF	2.8"	2.2 lbs
81.426	81.626	85.426	85.626	6"	3/8" NPTF	2.8"	2.2 lbs
81.455	81.655	85.455	85.655	12"	1/4" NPTF	2.8"	2.8 lbs
81.456	81.656	85.456	85.656	12"	3/8" NPTF	2.8"	2.8 lbs
81.465	81.665	85.465	85.665	16"	1/4" NPTF	2.8"	3.3 lbs
81.466	81.666	85.466	85.666	16"	3/8" NPTF	2.8"	3.3 lbs
81.475	81.675	85.475	85.675	20"	1/4" NPTF	2.8"	3.5 lbs
81.476	81.676	85.476	85.676	20"	3/8" NPTF	2.8"	3.5 lbs
81.485	81.685	85.485	85.685	24"	1/4" NPTF	2.8"	3.9 lbs
81.486	81.686	85.486	85.686	24"	3/8" NPTF	2.8"	3.9 lbs



TRL Wand

Part No.	Length	∅	IN	Weight
81.925	62"	6"	3/8" NPTF	4.9lbs

This complete cleaning wand with rotating spinner head was designed to clean tanks, plastic containers and portable toilets. There are three nozzles included with the spinner head. There are two adjustable nozzles located on the side and one on the end of the unit.

Important: Do not use unprotected!

SILO CLEANER

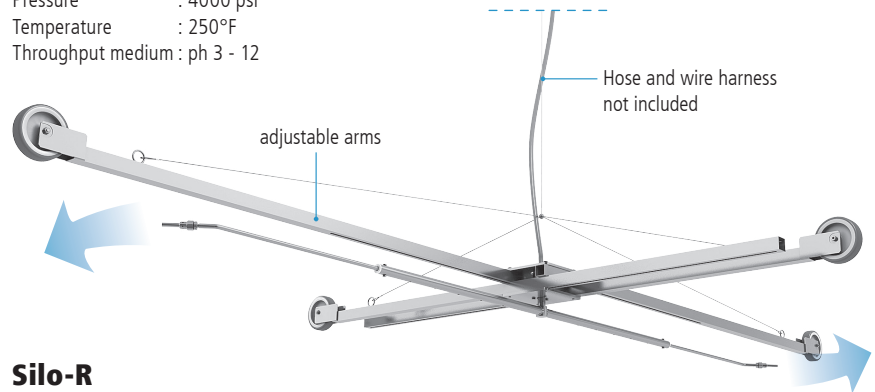
The MOSMATIC Silo Cleaner is the perfect cleaning solution for your Silo. This unit is adjustable and can be used in almost any size silo.

In order to use the Silo Cleaner there needs to be a wire harness installed. Please use the hooks that are provided with the Silo Cleaner to balance and stabilize the cleaner.

The MOSMATIC Silo Cleaner is equipped with the MOSMATIC Stabilizer Nozzles making the cleaning power tremendous. The Silo cleaner is made of stainless steel and is virtually maintenance free. The design is compact and user friendly.



Pressure : 4000 psi
 Temperature : 250°F
 Throughput medium : ph 3 - 12



Silo-R

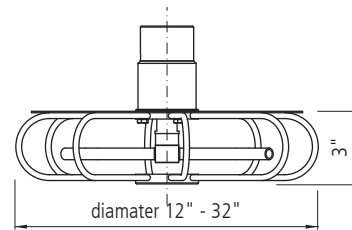
Part No.	Length / Width	Height	IN	Rotor Arm	Nozzles	Wheels	Weight
81.095	6'6" - 11'6"	8"	1/2" NPT F	82.9036	2x 18.050EG	4x ø 4"	55 lbs

MANHOLE CLEANER

Clean ducts and manholes with our MOSMATIC Manhole Cleaner and get cleaning results like never before. The Cleaners are made of stainless steel and therefore rustproof. The Cleaner gets extra protection by a guard plated.

You can choose from different sizes so that you have the best product for your application.

Inlet : 1/2" NPTF
 Pressure : 5100 psi
 Temperature : 250°F
 Cage : Stainless Steel
 Nozzles : for 2x 1/8" Nozzles*
 Throughput medium : ph 3 - 12



TYR-2f with protective plate

Part No.	ø	Weight
81.037	12"	8.1 lbs
81.047	16"	9.7 lbs
81.057	20"	11.7 lbs
81.067	24"	14.1 lbs
81.087	32"	14.3 lbs

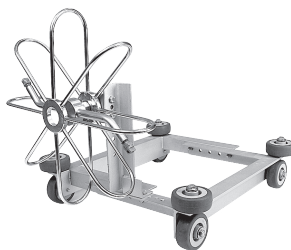


* Nozzles are sold separately.

Important: Do not use unprotected!

ACCESSORIES

for Duct Cleaner on page 60.



TYR Mobile

Complete stainless steel construction. Height and width adjustable. Can be used with all MOSMATIC duct cleaners in horizontal cleaning.

Part No.	ø (Pipe)	Weight
81.911	6"-12"	9.0 lbs
81.902	12"-20"	9.5 lbs
81.903	20"-24"	15.6 lbs

TYR Hook

For pulling your duct cleaner through long stretches of ducts to stabilize in vertical drops. Quickly attaches to existing cage.



Part No. 81.905



INDUSTRY

The industry has many areas in which MOSMATIC components are used. But all have one thing in common: A clean solution!



INFO

Industry requires simple cleaning solutions that can be implemented with little effort and have high impact. This is where MOSMATIC excels using water, a high RPM swivel and a rotor arm.

MECHANICAL ENGINEERING

MOSMATIC is working throughout the world with manufacturers and their custom machinery. When our products are used in their facilities, our customers take on maintenance free, high quality cleaning units. High quality means little downtime and optimum utilization. Some applications include tank cleaning, parts washing or conveyor belt cleaning.

FOOD INDUSTRY

In the Food Industry, a particular emphasis on hygiene is required. MOSMATIC rotary units, made of stainless steel, are used for automated cleaning in this industry. Some applications include the production of sugar and pasta, and meat and fish processing.

SHIPBUILDING AND FISH FARMING

The Fishing Industry and the ships/boats used in this trade are just another part of MOSMATIC's wide range of knowledge. Cleaning, maintaining equipment and transportation in this industry is important. Our customers depend on our experience to keep their day to day business competitive.

MUNICIPAL TECHNOLOGY

Working together with manufacturers of municipal vehicles, MOSMATIC has developed solutions for the high demands of professional road and sidewalk cleaning. We also have the right components to bring in an economically friendly way to clean tunnels, shafts, ducts, pipes, noise protection walls and buildings.

Tell us your application - we show you the solution!

ROTATION SYSTEM



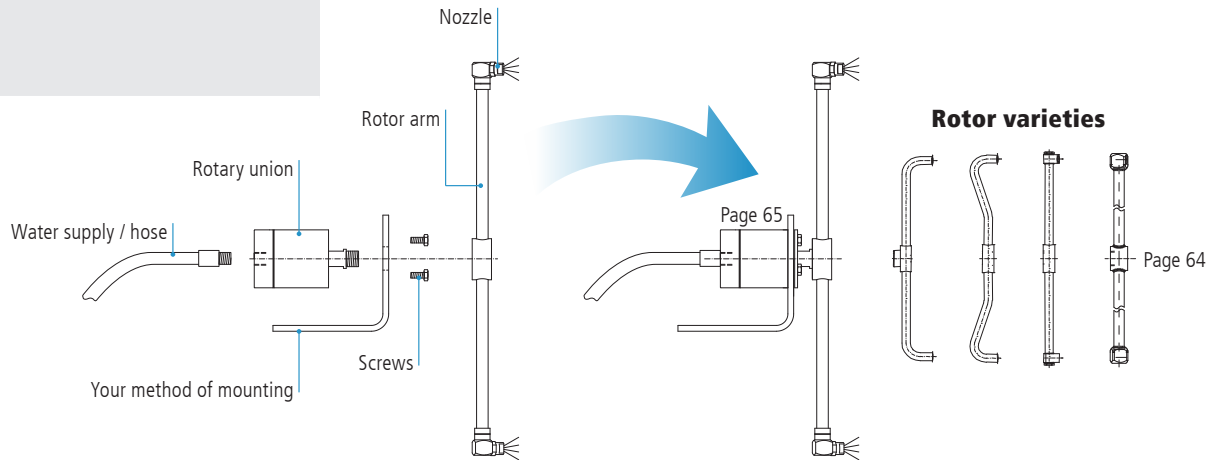
On this page we will show you how easy it is to build a modular system.

FUNCTIONALITY

As the water pressure builds, the rotor arms begin to rotate independently. The arm rotates only by the force of the water jet and requires no other power. A simple but efficient and solid product for a optimum cleaning effect. Manufacturers use our components for exactly this reason.

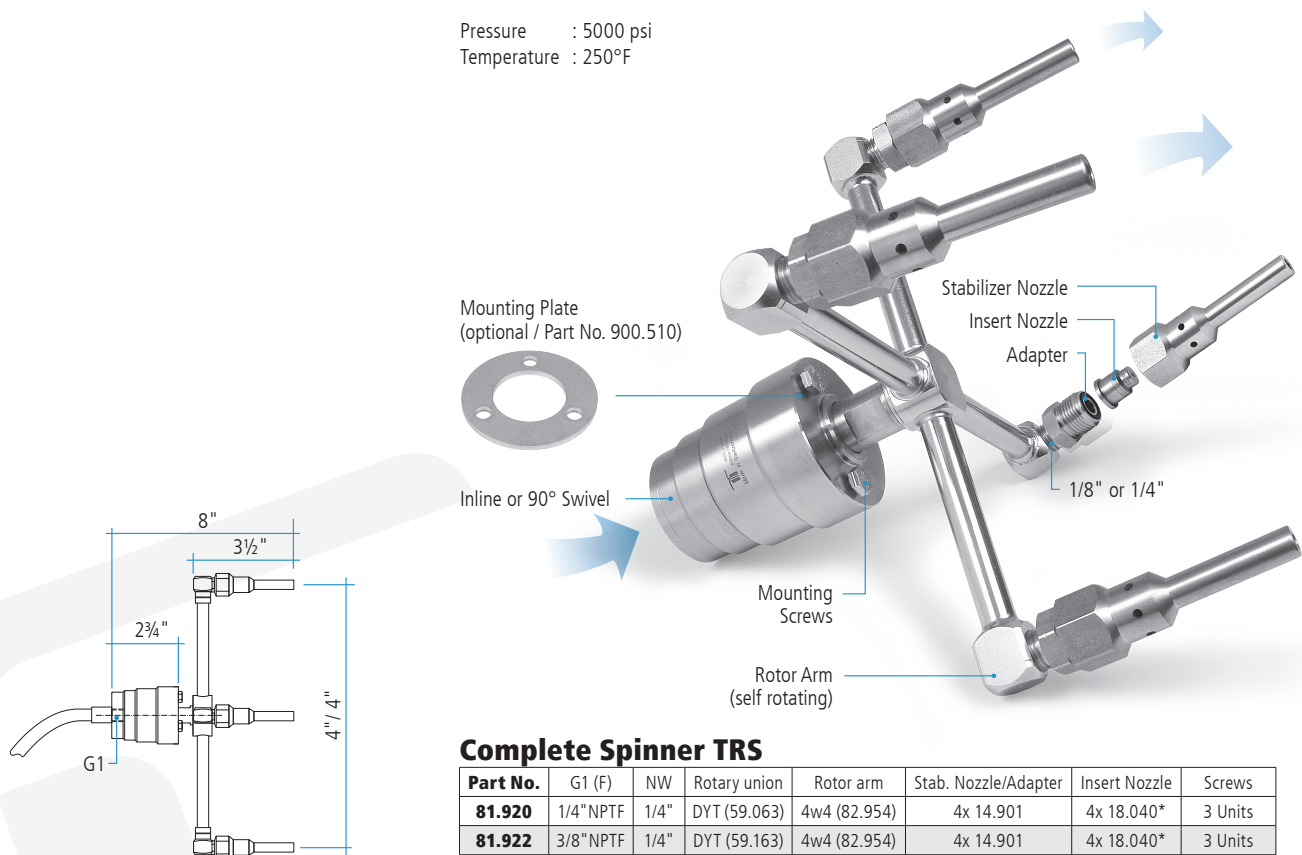
Rotation Unit according to your specifications.

Select a swivel, attach rotor arm and screw in nozzles and your unit is assembled. To get the best products for your application please see below:



APPLICATION EXAMPLE

Pressure : 5000 psi
Temperature : 250°F



Complete Spinner TRS

Part No.	G1 (F)	NW	Rotary union	Rotor arm	Stab. Nozzle/Adapter	Insert Nozzle	Screws
81.920	1/4" NPTF	1/4"	DYT (59.063)	4w4 (82.954)	4x 14.901	4x 18.040*	3 Units
81.922	3/8" NPTF	1/4"	DYT (59.163)	4w4 (82.954)	4x 14.901	4x 18.040*	3 Units

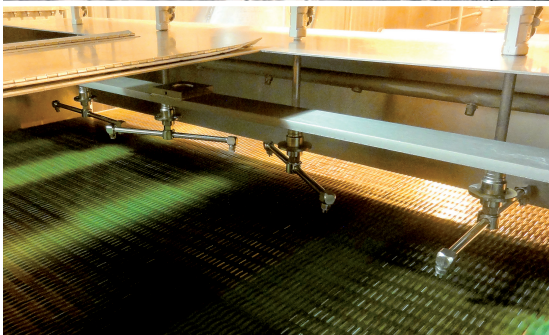
* other versions or sizes upon request.

ROTOR ARMS

- ✓ stainless steel
- ✓ light and sturdy
- ✓ welded

Application

- ✓ tire cleaner
- ✓ undercarriage cleaners
- ✓ parts washers
- ✓ surface cleaners
- ✓ conveyor belts



TKA-2w2 (for two nozzles)

Part No. 1/4" Nozzles	Part No. 1/8" Nozzles	Diameter
82.705	82.805	4"
82.706	82.806	6"
82.707	82.807	8"
82.708	82.808	10"
82.709	82.809	12"
82.710	82.810	14"
82.711	82.811	16"
82.712	82.812	18"
82.713	82.813	20"
82.714	82.814	22"
82.715	82.815	24"



TKA-3w3 (for three nozzles)

Part No. 1/4" Nozzles	Part No. 1/8" Nozzles	Diameter
82.765	82.865	4"
82.766	82.866	6"
82.767	82.867	8"
82.768	82.868	10"
82.769	82.869	12"
82.770	82.870	14"
82.771	82.871	16"
82.772	82.872	18"
82.773	82.873	20"
82.774	82.874	22"
82.775	82.875	24"

TKA-2w3 (for three nozzles)

Part No. 1/4" Nozzles	Part No. 1/8" Nozzles	Diameter
82.720	82.820	4"
82.721	82.821	6"
82.722	82.822	8"
82.723	82.823	10"
82.724	82.824	12"
82.725	82.825	14"
82.726	82.826	16"
82.727	82.827	18"
82.792	82.892	18.5"
82.728	82.828	20"
82.729	82.829	22"
82.730	82.830	24"

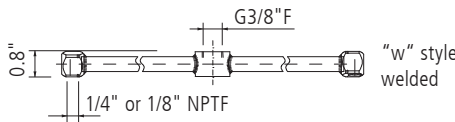


TKA-4w4 (for four nozzles)

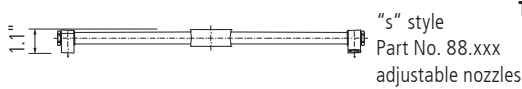
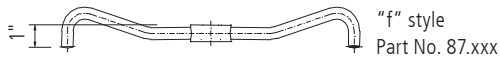
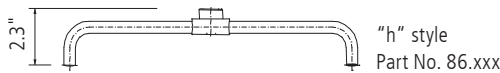
Part No. 1/4" Nozzles	Part No. 1/8" Nozzles	Diameter
82.731	82.831	8"/8"
82.733	82.833	14"/8"
82.735	82.835	16"/6"
82.737	82.837	16"/10"
82.742	82.842	18.5"/14"
82.743	82.843	20"/14"

TKA-4w5 (for five nozzles)

Part No. 1/4" Nozzles	Part No. 1/8" Nozzles	Diameter
82.746	82.846	8"/8"
82.748	82.848	14"/8"
82.750	82.850	16"/6"
82.752	82.852	16"/10"
82.757	82.857	18.5"/14"
82.758	82.858	20"/14"



other styles



Technical Data

Pressure	4000 psi also available as 7300 psi
Temperature	250°F
Body	stainless steel
Pipe	stainless steel
In	G 3/8" F
Out (for nozzles)	1/4" NPTF 1/8" NPTF

Throughput medium pH 3 - 12

ROTARY UNIONS

Matching rotary unions can be found on the next page.

DY-SERIES HIGH RPM ROTARY UNIONS



- ✓ stainless
- ✓ live swivel
- ✓ longevity
- ✓ maintenance free

Application

- ✓ high RPM
- ✓ automatic Car Washes
- ✓ self rotating applications

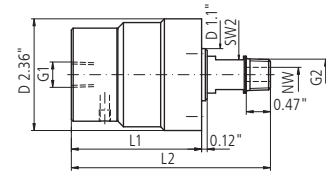
Technical Data

Pressure	see chart
Temperature	250°F
RPM	see chart
Body	stainless steel and or brass nickel plated
Inner part	stainless steel
Throughput medium	pH 3 - 12



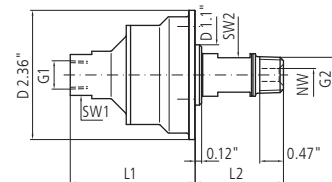
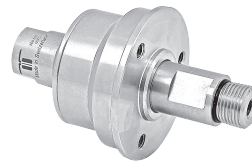
DYT (INOX)

Part No.	G1 (F)	G2 (M)	NW	SW1	SW2	L1	L2	max. PSI	max. RPM	Weight
59.063	1/4" NPTF	G3/8" M	1/4"	---	0.63	2.76	4.21	5000	2000	51.1 oz
59.163	3/8" NPTF	G3/8" M	1/4"	---	0.63	2.83	4.29	5000	2000	52.9 oz



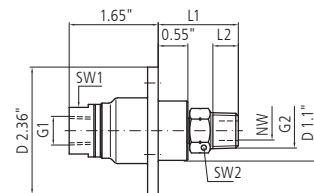
DYCI (INOX)

Part No.	G1 (F)	G2 (M)	NW	SW1	SW2	L1	L2	max. PSI	max. RPM	Weight
55.063	1/4" NPTF	G3/8" M	1/4"	0.87	0.63	2.28	1.46	5000	2000	23.0 oz
55.163	3/8" NPTF	G3/8" M	1/4"	0.87	0.63	2.28	1.46	5000	2000	23.0 oz



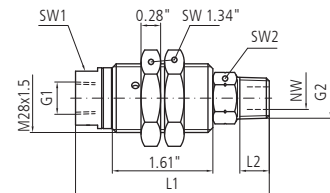
DYF

Part No.	G1 (F)	G2 (M)	NW	SW1	SW2	L1	L2	max. PSI	max. RPM	Weight
58.063	1/4" NPTF	G3/8" M	1/4"	0.87	0.75	1.49	0.39	4000	2000	13.5 oz
58.163	3/8" NPTF	G3/8" M	1/4"	0.87	0.75	1.49	0.39	4000	2000	13.2 oz



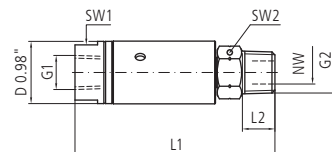
DYG

Part No.	G1 (F)	G2 (M)	NW	SW1	SW2	L1	L2	max. PSI	max. RPM	Weight
57.063	1/4" NPTF	G3/8" M	1/4"	0.87	0.75	3.14	0.39	4000	2000	10.6 oz
57.163	3/8" NPTF	G3/8" M	1/4"	0.87	0.75	3.14	0.39	4000	2000	10.2 oz



DYL

Part No.	G1 (F)	G2 (M)	NW	SW1	SW2	L1	L2	max. PSI	max. RPM	Weight
56.063	1/4" NPTF	G3/8" M	1/4"	0.87	0.75	3.14	0.39	4000	2000	7.6 oz
56.163	3/8" NPTF	G3/8" M	1/4"	0.87	0.75	3.14	0.39	4000	2000	7.2 oz



Legend

M. = metric thrust, **..M** = male, **F** = female, **G** = gas pipe thrust, **QV** = quick connects, **SV** = profile ring fitting
D = diameter, **k** = conical, **L** = length, **NW** = nominal width, **SW** = wrench size, **IN** = media input, **OUT** = media output, **RS** = basic position

R30

65

USA

ROTARY UNIONS FOR HOSE



- ✓ single / dual bearing system
- ✓ stainless
- ✓ live swivel
- ✓ reinforced internal part
- ✓ maintenance free

Application

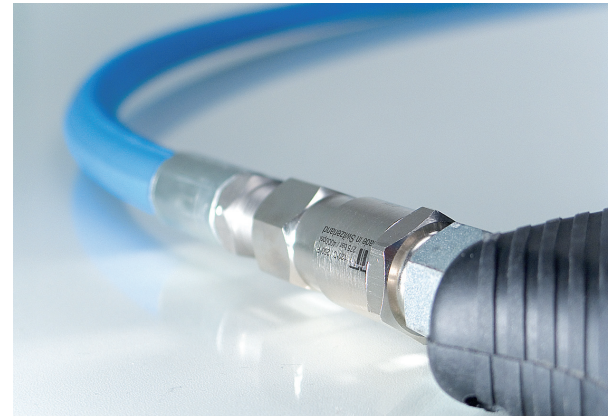
- ✓ high pressure guns
- ✓ hose connections
- ✓ hydraulics

Technical Data

Pressure 4000 psi
Temperature 250°F
RPM max. 30 rpm

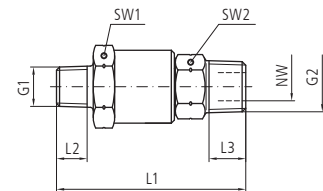
Body stainless steel
Inner part brass, nickel plated stainless steel

Throughput medium pH 3 - 12

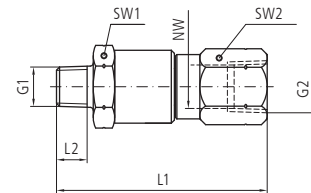


DGV

Part No.	G1 (M)	G2 (M)	NW	SW1	SW2	L1	L2	L3	Weight
32.551	1/4" NPTM	1/4" NPTM	1/4"	0.94	0.67	2.40	0.39	0.43	4.2 oz
32.563	3/8" NPTM	3/8" NPTM	1/4"	0.94	0.75	2.48	0.43	0.47	5.4 oz
32.863	1/2" NPTM	1/2" NPTM	3/8"	1.06	1.06	2.91	0.59	0.59	8.2 oz

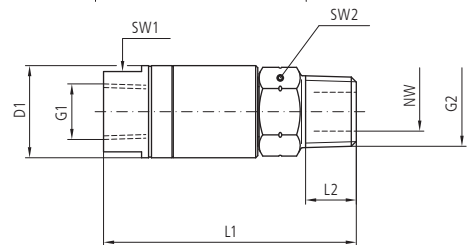


Part No.	G1 (M)	G2 (F)	NW	SW1	SW2	L1	L2	L3	Weight
32.552	1/4" NPTM	1/4" NPTF	1/4"	0.94	0.75	2.60	0.39	-	5.2 oz
32.564	3/8" NPTM	3/8" NPTF	1/4"	0.94	0.87	2.75	0.43	-	6.4 oz
32.864	1/2" NPTM	1/2" NPTF	3/8"	1.06	1.06	3.03	0.59	-	8.7 oz

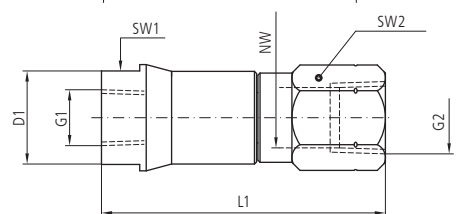


DGS

Part No.	G1 (F)	G2 (M)	NW	SW1	SW2	L1	L2	D1	Weight
30.051	1/4" NPTF	1/4" NPTM	1/4"	0.75	0.67	2.32	0.43	0.86	4.1 oz
30.153	3/8" NPTF	3/8" NPTM	1/4"	0.87	0.75	2.36	0.47	0.98	4.6 oz
30.653	3/8" NPTF	3/8" NPTM	3/8"	0.87	0.75	2.43	0.47	0.98	6.0 oz

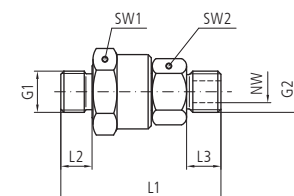


Part No.	G1 (F)	G2 (F)	NW	SW1	SW2	L1	L2	D1	Weight
30.052	1/4" NPTF	1/4" NPTF	1/4"	0.75	0.75	2.52	-	0.86	4.9 oz
30.154	3/8" NPTF	3/8" NPTF	1/4"	0.87	0.87	2.63	-	0.98	5.6 oz
30.654	3/8" NPTF	3/8" NPTF	3/8"	0.87	0.87	2.71	-	0.98	6.0 oz

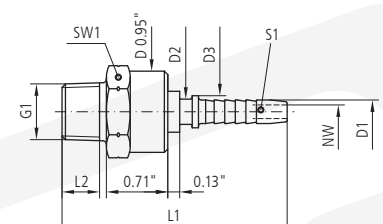


DGK

Part No.	G1 (M)	G2 (M)	NW	SW1	SW2	L1	L2	L3	Weight
32.051	1/4" NPTM	1/4" NPTM	1/4"	1"	0.67	2.08	0.47	0.47	3.0 oz
32.153	3/8" NPTM	3/8" NPTM	1/4"	1"	0.75	2.16	0.51	0.51	4.0 oz



Part No.	G1 (M)	S1	NW	SW1	L1	L2	D1	D2	D3	Weight
32.081	1/4" NPTM	1/4"	1/8"	0.94	2.55	0.39	0.27	0.29	0.37	2.8 oz
32.181	3/8" NPTM	1/4"	1/8"	0.94	2.59	0.43	0.27	0.29	0.37	3.2 oz
32.182	3/8" NPTM	5/16"	7/32"	0.94	2.68	0.43	0.33	0.34	0.44	3.3 oz



R30

66

Legend

M.. = metric thrust, **..M** = male, **F** = female, **G** = gas pipe thrust, **QV** = quick connects, **SV** = profile ring fitting
D = diameter, **k** = conical, **L** = length, **NW** = nominal width, **SW** = wrench size, **IN** = media input, **OUT** = media output, **RS** = basic position

90° ROTARY UNIONS



- ✓ stainless
- ✓ compact
- ✓ maintenance free
- ✓ longevity

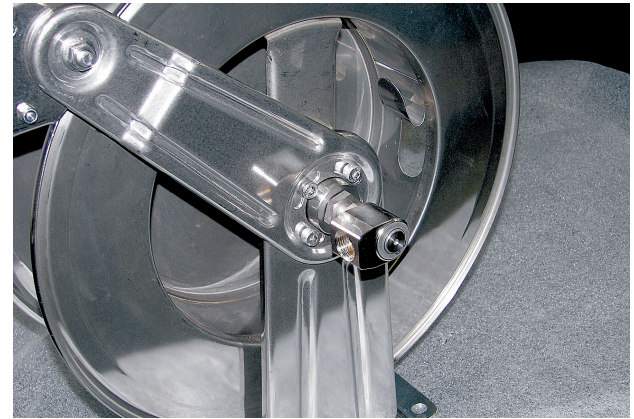
Application

- ✓ high pressure hose reels
- ✓ surface cleaners

Technical Data

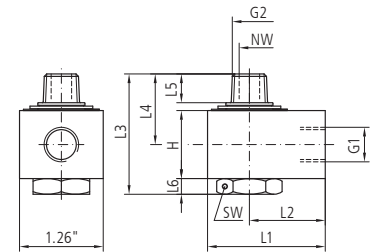
Pressure 2200 psi / 4000 psi
Temperature 200°F / 250°F
RPM max. 30-200 rpm
Body brass, nickel plated
Inner part stainless steel

Throughput medium pH 3 - 12



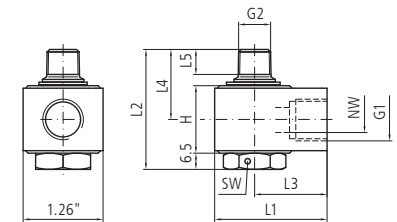
WDG

Part No.	G1 (F)	G2 (M)	NW	H	L1	L2	L3	L4	L5	L6	SW	Weight
40.021	1/4" NPTF	1/4" NPTM	1/4"	1.02	1.77	1.14	1.89	1.14	0.47	0.24	0.87	10.3 oz
40.032	3/8" NPTF	3/8" NPTM	1/4"	1.02	1.77	1.14	1.89	1.14	0.47	0.24	0.87	10.0 oz
40.039	3/8" NPTF	3/8" NPTM	1/4"	1.26	1.77	1.14	2.09	1.18	0.43	0.28	0.94	11.4 oz



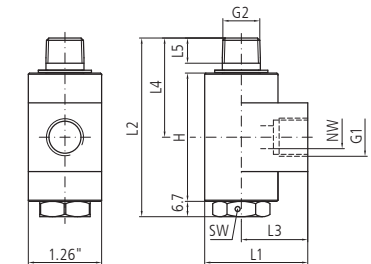
WDB

Part No.	G1 (F)	G2 (M)	NW	H	L1	L2	L3	L4	L5	SW	max. RPM	Weight
43.251	1/4" NPTF	1/4" NPTM	1/4"	1.06	1.77	1.89	1.14	1.10	0.39	0.87	30	10.0 oz
43.252	3/8" NPTF	3/8" NPTM	3/8"	1.06	1.77	1.93	1.14	1.14	0.43	0.87	30	9.2 oz



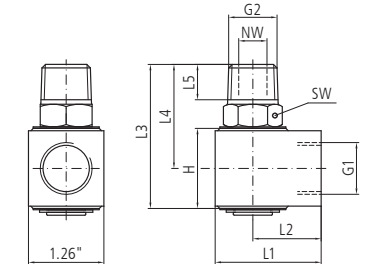
WDBS (with radial ball bearings and protection plate)

Part No.	G1 (F)	G2 (M)	NW	H	L1	L2	L3	L4	L5	SW	max. RPM	Weight
43.272	3/8" NPTF	3/8" NPTM	3/8"	2.20	1.77	3.07	1.14	1.70	0.43	0.87	200	18.5 oz



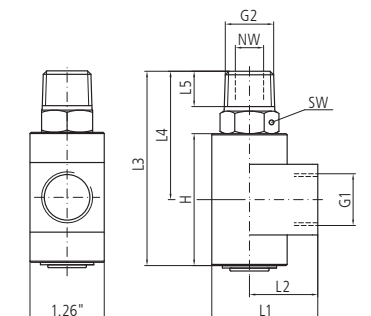
WDC

Part No.	G1 (F)	G2	NW	H	L1	L2	L3	L4	L5	SW1	max. RPM	Weight
43.353	1/2" NPTF	1/2" NPTM	1/2"	1.34	1.77	1.14	2.40	1.73	0.59	0.87	30	11.5 oz
43.354	1/2" NPTF	1/2" NPTF	1/2"	1.34	1.77	1.14	2.40	1.73	0.59	0.87	30	11.7 oz



WDCS (with radial ball bearings and protection plate)

Part No.	G1 (F)	G2	NW	H	L1	L2	L3	L4	L5	SW1	max. RPM	Weight
43.373	1/2" NPTF	1/2" NPTM	1/2"	2.20	1.77	1.14	3.24	2.15	0.59	0.87	200	16.0 oz
43.374	1/2" NPTF	1/2" NPTF	1/2"	2.20	1.77	1.14	3.24	2.15	0.59	0.87	200	16.2 oz



Legend

M. = metric thrust, **..M** = male, **F** = female, **G** = gas pipe thrust, **QV** = quick connects, **SV** = profile ring fitting
D = diameter, **k** = conical, **L** = length, **NW** = nominal width, **SW** = wrench size, **IN** = media input, **OUT** = media output, **RS** = basic position

R30

FITTINGS



- ✓ stainless
- ✓ compact

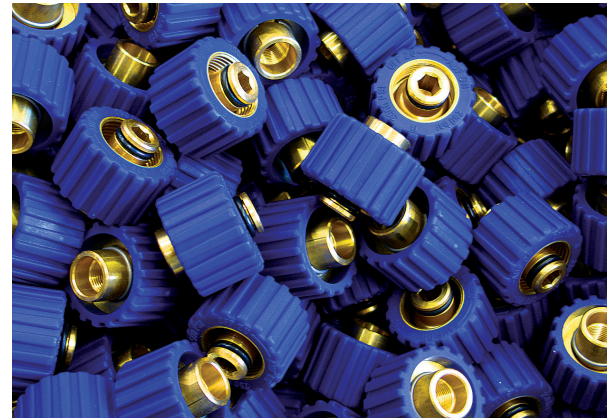
Application

- ✓ universal
- ✓ connections (adapter)
- ✓ hose connections
- ✓ pipe connections

Technical Data (QVS)

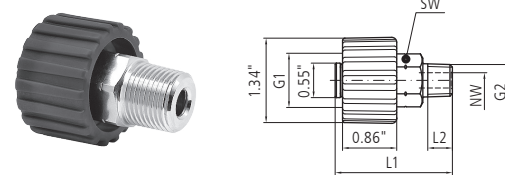
Pressure 3600 psi
Temperature 250°F
Body brass, nickel plated
Innert part O-ring stainless steel
Throughput medium pH 3 - 12

Other sizes (e.g. M21x1.5 F)
 or versions (e.g. 7300 psi) upon request

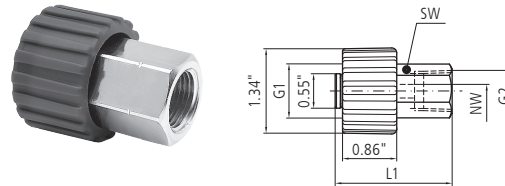


QVS

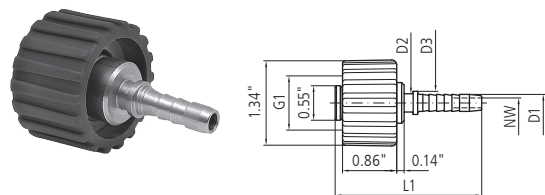
Part No.	G1 (QV)	G2 (M)	NW	SW	L1	L2	D1	D2	D3	Weight	Color
50.151	M22x1.5 F	1/4" NPTM	1/4"	0.75	1.77	0.39	-	-	-	3.30 oz	blue
50.153	M22x1.5 F	3/8" NPTM	1/4"	0.75	1.81	0.51	-	-	-	3.30 oz	blue



Part No.	G1 (QV)	G2 (F)	NW	SW	L1	L2	D1	D2	D3	Weight	Color
50.152	M22x1.5 F	1/4" NPTF	1/4"	0.75	1.73	-	-	-	-	3.50 oz	blue
50.154	M22x1.5 F	3/8" NPTF	1/4"	0.87	1.77	-	-	-	-	4.10 oz	blue



Part No.	G1 (QV)	S1	NW	SW	L1	L2	D1	D2	D3	Weight	Color
50.131	M22x1.5 F	1/4"	1/8"	-	2.28	-	0.26	0.29	0.39	2.30 oz	blue
50.132	M22x1.5 F	5/16"	7/32"	-	2.36	-	0.33	0.35	0.45	2.50 oz	blue
50.133	M22x1.5 F	3/8"	1/4"	-	2.40	-	0.39	0.42	0.53	2.10 oz	blue



VER (4000 psi / brass, nickel plated)

		male					female	
		G1/4" M	G3/8" M	M21x1.5 QV	M22x1.5 QV	3/8" NPTM	G1/4" F	G3/8" F
male	G1/4" M	52.001	52.004	52.201	52.221		52.011	
	G3/8" M	52.004	52.029	52.203	52.223		52.013	
	M21x1.5 QV	52.201	52.203	52.208	52.209		52.202	52.204
	M22x1.5 QV	52.221	52.223	52.209	52.229		52.222	52.224
female	G1/4" F	52.011	52.013	52.202	52.222		52.012	52.014
	G3/8" F			52.204	52.224		52.014	
Profile ring fitting	M14x1.5 M (08-L)			52.205	52.225			
	M16x1.5 M (10-L)			52.206	52.226			
	M18x1.5 M (12-L)			52.207	52.227			
NPT	1/4" NPTM			52.251	52.271	52.102	52.061	
	1/4" NPTF			52.252	52.272		52.062	
	3/8" NPTM			52.253	52.273	52.121	52.063	
	3/8" NPTF			52.254	52.274		52.064	



Also available in stainless steel and 7300 psi.

Acceptance of any order and sale of any goods are expressly conditional upon the terms and conditions as listed here in. Any order or statement of intent to purchase any such goods, or any direction to proceed with engineering, procurement, manufacture or shipment shall constitute assent to said terms and conditions. Any additional or different terms or conditions set forth in Buyer's purchase order or similar communication are objected to and will not be binding upon MOSMATIC Corporation, unless specifically assented to in writing by an authorized representative of MOSMATIC Corporation management.

1. Prices

All prices stipulated or promulgated by MOSMATIC Corporation are subject to change without notice. Prices do not include any present or future sales, use, excise, value added or similar taxes and, where applicable, such taxes shall be billed as a separate item and paid by Buyer.

2. Shipping

All orders are shipped via UPS Ground unless otherwise specified. Most orders for stock goods will usually be shipped same day if purchase order is received by 12 p.m. CST. Special crating or handling charges may apply to oversized or custom orders. Please inspect your shipment immediately upon arrival. If your order is not received in satisfactory condition, keep all packaging material and notify MOSMATIC Corporation within 48 hours. All sales are made ex point of shipment, and the Buyer assumes all risks with title passing upon delivery to carrier at point of shipment, irrespective of who selects carrier. Shipping dates given in advance of actual shipments are best estimates and shall not be deemed to represent fixed or guaranteed shipping dates. MOSMATIC Corporation shall not be liable for failure to deliver or for delay in delivery or performance due to (a) a cause beyond its reasonable control or (b) an act of God, act or omission of Buyer, act of civil or military authority, governmental priority or other allocation or control, fire, strike or other labor difficulty, riot or other civil disturbance, delay in transportation or (c) any other commercial impracticability. Each shipment or delivery shall be deemed to have been sold under a separate and independent contract. If in the judgment of MOSMATIC Corporation, the financial condition of the Buyer at the time of manufacture or shipment does not justify the terms of payment specified on order, MOSMATIC Corporation reserves the right to require from Buyer full or partial payment or other adequate assurance of performance before manufacture or shipment. MOSMATIC Corporation reserves the right to suspend its performance until such a payment or adequate assurance of performance has been received. If payment is not made when due, Buyer agrees to pay a charge on the amount past due at the rate of 1.5% per month (18% per annum) or the maximum lawful rate, whichever is less. Nothing here in shall be deemed to extend or otherwise modify Buyer's obligation to make payment when due.

3. Payments

Credit: First orders are C.O.D., subsequent orders net 30 days from date of invoice upon credit approval. For credit applications, please call (800) 788-9880. Payment shall be made in US\$ (USD) only or in the currency agreed. Checks will be accepted as means of payment but shall not be regarded as settlement until they have been cleared. For your convenience we accept VisaCard, MasterCard, American Express and Discovery Card.

4. Termination

Buyer may terminate an order only by mutual agreement based on payment to MOSMATIC Corporation of reasonable and proper termination charges.

5. Returns

No return of goods will be accepted without prior authorization from a representative of MOSMATIC Corporation management. All returns must be accompanied by a Returned Goods Authorization (RGA) number provided by MOSMATIC Corporation. RGA numbers are valid for 90 days only. Except due to manufacturer defects, all returns must be in resalable condition and are subject to a 15% restocking charge.

6. Limitation of Liability

MOSMATIC Corporation's liability on any claim for loss or damage arising out of a contract or from the performance or breach thereof or connected with the supplying of goods, or their sale, resale, operation or use, warranty, tort (including negligence) or other grounds, shall not exceed the price allowable to such goods or part thereof involved in any claim. MOSMATIC Corporation shall not under any circumstances be liable for any labor charges, special or consequential damages including, but not limited to, bodily injury, loss of profits or revenue, loss of use of any product or associated product, cost of capital, cost of substitute products, facilities or services, downtime costs or costs of claims arising from Buyer or Buyer's customers. Any technical or other advice or assistance furnished by MOSMATIC Corporation, which concerns any goods supplied hereunder, will not subject MOSMATIC Corporation to any liability, whether based on contract, warranty, tort (including negligence) or other grounds.

7. Limited Warranty

MOSMATIC Corporation warrants that its product/s (the „Product“) shall be free from defects in materials and workmanship under normal use, installation and maintenance in accordance with MOSMATIC Corporation's specifications. If any failure to conform to this warranty is reported to MOSMATIC Corporation within six months from the date of purchase by the original buyer, MOSMATIC Corporation, upon being satisfied of the existence of such nonconformity, will, with exclusions (wear and tear) etc., correct same at its discretion by repairing or replacing the Product. This warranty does not cover damage resulting from mishandling in transit, vandalism, misuse, abuse, neglect, alteration, dismantling, acts of God or failure to exercise reasonable care in installing or maintaining the Product. This warranty applies only to the original buyers who purchased the Product directly from MOSMATIC Corporation. To obtain service under this warranty, call our sales/service department at (800) 788-9880. NO EVENT WILL MOSMATIC Corporation BE LIABLE FOR INCIDENTAL OR CONSEQUENTIAL DAMAGES. This warranty gives you specific legal rights, and you may have other rights which vary from state to state.

8. Availability

Not all products listed in this catalogue are stocked by each service center.

9. Governing law

All orders are accepted by Seller at its mailing address in Bristol, Wisconsin, and shall be governed by and interpreted in accordance with the laws of the state of Wisconsin.

General Information

- With the publication of this catalogue, all previous catalogues and publications are no longer valid.
- We reserve the right to make technical modifications at any time without prior notification.
- For any special versions, manufactured to individual customer requirements, we decline any responsibility for their subsequent use and effects in operation.
- Validation of data and measurements exclude printing and typing errors.
- The details we provide are recommendations only, which we give to the best of our knowledge. Written confirmation of precise details can be obtained upon request.
- MOSMATIC sells through a network of authorized dealers and representatives only.

Use of your personal information

- We never sell or rent any of the information you provide us with to third parties.
- We use the information we collect for various purposes, including:
 - to complete your purchase transaction
 - to provide the services you requested
 - to send you our catalogues and offerings
 - to send you specials and updates per email
 - to contact you about the status of your order
- When you make a credit card transaction we collect your name, your billing address for the card, the card type, number and expiration date. We also collect information that allows us to ship your order, i.e. name, address and phone number of the intended recipient(s).

For your safety

- For your own safety always use protection gear like safety glasses, gloves etc. when using our products connected to high pressure.
- Safety regulations and guidelines (Accident prevention rules) from the manufacturer of high pressure equipment are applicable when using our products.
- Nozzle installation according to nozzle manufacturer.
- MOSMATIC products should only be installed by experienced users of high pressure equipment. The responsibility for the safe and effective use of MOSMATIC products rest with the user.

1. General

- These General Terms and Conditions of Sale and Supply affect all goods and services sold and supplied by us. Any contrary terms laid down by the purchaser shall not be binding on us even if they have been identified as the basis for the purchaser's order.
- Subordinate agreements, as well as changes and additions to the contract and to these General Terms and Conditions, shall only be valid if confirmed by us in writing.

2. Quotations, offers, and estimates

- No offers made by us shall be regarded as binding.
- We reserve the right to improve or modify the design or construction of our goods.

3. Prices

- Our prices are given in Swiss Francs (CHF) and EURO (€), without packaging, ex-works Necker. All transport costs shall be charged to the purchaser.
- We do not accept any deductions or charges relating to the disposal of packaging material. The purchaser shall bear any disposal costs that may arise.
- All deliveries, including part-consignments, for which a delivery date is agreed that is more than three months later than the date of the order confirmation, shall be made at the selling price in force on the day of delivery.

4. Delivery periods

- If a delivery period (as opposed to a delivery date) has been stated, it shall be deemed to start on the date of the written confirmation of order or alternatively the date of receipt of order if it confirms our offer without alteration. Any delivery period shall be prolonged accordingly if data or documentation does not reach us on time, if they are altered retro-actively by the purchaser with our assent, or if any instalment payment arrives later than agreed.
- If any failure to adhere to a delivery period is not exclusively our fault, the purchaser shall not thereby derive any right to cancel the contract, to refuse delivery, or to sue for damages.
- Any Act of God or case of force majeure shall release us from our obligation to supply, without the purchaser deriving any further claim therefrom.
- The entirety of all goods delivered shall remain the property of Mosmatic AG until the purchase price has been paid in full. The purchaser hereby expressly declares his consent to the appropriate entry in the „Register of Retained Title“.

5. Acceptance of goods by the recipient

- The purchaser shall assume all risks at the moment the goods are handed over to the railway or postal authorities or collected from the Necker works by any party (e.g. freight forwarding agent or haulier) acting with his authority. If acceptance is delayed or made impossible for any reason beyond our control, we shall be entitled to store the goods, at the purchaser's risk and expense, on our premises or a third party's, and shall be deemed to have thereby fulfilled our obligations.

6. Payment

- All invoices shall be due for payment within 30 days of the invoice date.
- Payment shall be made only in the currency agreed. Cheques will be accepted by way of payment but shall not be regarded as settlement until they have been cleared.
- There shall be no right of off-set against counter-claims unless the counter-claim is undisputed or has been acknowledged by a Court as final and absolute.
- If a number of claims to payment are outstanding, we shall be entitled to determine which claim has been settled by any payments the purchaser makes. As soon as the normal payment period has expired, and even if no payment reminder has been sent, interest shall be due on the arrears at the rate customary in the trade but at least 4 percentage points above the Discount Rate of the Swiss National Bank in force at the material time.
- It shall only be permitted to withhold or reduce payments on account of complaints if we have given our consent.
- Small orders shall be subject to a minimum invoice amount of CHF 20.00.

7. Guarantee

- We grant a guarantee on new products against all defects for which we are responsible covering a period of 12 months from the date of delivery. This guarantee does not cover parts (such as seals, ball bearings etc.) that are subject to normal wear and tear. The guarantee shall become null and void if any repairs are carried out improperly by the purchaser himself or any third party. We shall be free to select, at our own discretion, whether to replace items free of charge or to grant an appropriate reduction in the price. No claims whatsoever from the purchaser shall be entertained which go beyond the aforesaid, and claims for damages or nullification of the contract are expressly ruled out, regardless of the legal grounds on which they may be raised, which result from the installation of the goods supplied. The guarantee period shall start on the date of delivery, which is noted on the invoice.
- Any defects in the goods shall be notified to us in writing at once, or in the case of visible defects within one week of their becoming apparent. No guarantee claims can be entertained if this requirement is not adhered to.
- No returns will be accepted without prior authorization from a Mosmatic AG representative. All returns are subject to inspection. Returns must be sent pre-paid freight to Mosmatic AG, Oberhelfenschwilerstrasse 6, CH-9126 Necker, Switzerland. All returns must be accompanied by a RMA form (Return Material Authorisation) which clearly shows the RMA number and the customer ID number. The RMA form can be obtained from Mosmatic AG in writing or by calling our customer service number. RMA numbers are valid for 30 days only. If the merchandise is not returned within the 30-day period, the number becomes invalid and a new RMA number must be obtained. Supplying a RMA number does not acknowledge a warranty claim or manufacturer's defect. Mosmatic AG shall not under any circumstances be liable for losses or shipping damages of returned goods. Unused products arriving in resalable condition, including original packaging and manuals, are not subject to restocking fees. All other unused products or none stock items are subject to a 15% restocking fee.

8. Liability

- Unless something else arises from the following, no further claims from the purchaser, irrespective of legal grounds they may be based on, are accepted by us.
- Our liability for any claim for loss, damage or personal injury arising out of a

contract shall be limited to the compensation of our product liability insurance.

9. Place of execution and jurisdiction, choice of law

- The place of execution for purchaser and vendor shall be Necker, Canton of St Gallen, Switzerland.
- In the event of any disputes relating to the validity of the contract or of these General Terms, the place of jurisdiction shall be Oberhelfenschwil, Switzerland.
- These General Terms shall be subject to Swiss law exclusively. The German text shall be exclusively effective, this translation having been prepared for convenience only.

General Information

- With the publication of this catalogue, all previous catalogues and publications are no longer valid.
- We reserve the right to make technical modifications at any time without prior notification.
- For any special versions, manufactured to individual customer requirements, we decline any responsibility for their subsequent use and effects in operation.
- Validation of data and measurements exclude printing and typing errors.
- The details we provide are recommendations only, which we give to the best of our knowledge. Written confirmation of precise details can be obtained upon request.
- MOSMATIC sells through a network of authorized dealers and representatives only.

Use of your personal information

- We never sell or rent any of the information you provide us with to third parties.
- We use the information we collect for various purposes, including:
 - to complete your purchase transaction
 - to provide the services you requested
 - to send you our catalogues and offerings
 - to send you specials and updates per email
 - to contact you about the status of your order
- When you make a credit card transaction we collect your name, your billing address for the card, the card type, number and expiration date. We also collect information that allows us to ship your order, i.e. name, address and phone number of the intended recipient(s).

For your safety

- For your own safety always use protection gear like safety glasses, gloves etc. when using our products connected to high pressure.
- Safety regulations and guidelines (Accident prevention rules) from the manufacturer of high pressure equipment are applicable when using our products.
- Nozzle installation according to nozzle manufacturer.
- MOSMATIC products should only be installed by experienced users of high pressure equipment. The responsibility for the safe and effective use of MOSMATIC products rest with the user.

© 2012 Mosmatic AG

1. Allgemeines

- Diese allgemeinen Verkaufs- und Lieferbedingungen gelten für alle unsere Verkäufe und Lieferungen. Entgegenstehende Bedingungen des Käufers sind für uns unverbindlich, auch wenn sie der Bestellung zugrunde gelegt werden. Nebenabreden sowie Änderungen und Ergänzungen des Vertrags und unserer allgemeinen Verkaufs- und Lieferbedingungen sind nur gültig, wenn sie von uns schriftlich bestätigt werden.

2. Angebot

- Unsere Angebote sind stets freibleibend.
- Verbesserungen oder Änderungen der Bauart oder Ausführung unserer Ware bleiben vorbehalten.

3. Preise

- Unsere Preise verstehen sich in Schweizer Franken (CHF) und EURO (€), unverpackt, ab Werk Necker, Transportkosten gehen zu Lasten des Bestellers. Abzüge oder Vergütung für Entsorgung von Verpackung werden nicht anerkannt. Eventuelle entstehende Entsorgungskosten trägt der Besteller.
- Bei Lieferungen und Teillieferungen, die vereinbarungsgemäss später als drei Monate nach dem Datum der Auftragsbestätigung erfolgen sollen, gilt der zur Zeit der Lieferung gültige Verkaufspreis.

4. Lieferfristen

- Ist die Lieferfrist als Zeitraum (und nicht als Termin) angegeben, beginnt sie mit dem Datum der schriftlichen Auftragsbestätigung bzw. dem Eingang der Bestellung gemäss unveränderter Offerte. Jede Lieferfrist verlängert sich gemäss unseren Angaben und Unterlagen nicht rechtzeitig zukommen, wenn diese vom Besteller mit unserer Zustimmung nachträglich geändert werden, oder wenn eine Anzahlung verspätet eintrifft.
- Geht die Nichteinhaltung einer Lieferfrist nicht auf unser ausschliessliches Verschulden zurück, erwächst dem Besteller hieraus kein Recht, vom Vertrag zurückzutreten, noch auf die Lieferung zu verzichten, noch Schadensersatz zu verlangen.
- Höhere Gewalt entbindet uns ohne weitere Ansprüche von Seiten des Bestellers von den eingegangenen Lieferverpflichtungen.
- Bis zur restlosen Bezahlung des Kaufpreises bleibt der gesamte Lieferumfang Eigentum der Firma Mosmatic AG. Der Käufer erklärt sich hiermit mit dem Eintrag des Eigentumsvorbehaltes im „Register über Eigentumsvorbehalte“ ausdrücklich einverstanden.

5. Übernahme der Ware durch den Empfänger

- Die Gefahr geht mit Auslieferung der Ware an Bahn/Post oder Übernahme der verpackten Ware durch den Käufer oder einen von ihm Beauftragten (Spediteur, Frachtführer etc.) im Werk Necker auf den Käufer über. Verzögert oder verunmöglicht sich die Übernahme aus Gründen, die nicht von uns vertreten sind, sind wir berechtigt, die Ware auf Rechnung und Gefahr des Käufers bei uns oder einem Dritten einzulagern, wofür wir unsere Pflichten erfüllt haben.

6. Zahlung

- Alle Rechnungen sind innerhalb von 30 Tagen ab Rechnungsdatum zahlbar. Zahlungen dürfen nur in der vereinbarten Währung erfolgen. Schecks werden nur zahlungshalber angenommen und gelten erst nach ihrer Einlösung als Zahlung.
- Die Verrechnung von Gegenforderungen jeder Art ist ausgeschlossen, sofern nicht die Gegenforderung unbestritten oder rechtskräftig festgestellt ist.
- Bei mehreren offenen Forderungen sind wir berechtigt festzustellen, welche Forderung durch die Zahlungen des Käufers erfüllt sind.
- Nach Ablauf der Zahlungsfrist sind ohne Mahnung Verzugszinsen in handelsüblicher Höhe geschuldet.
- Die Zurückhaltung oder Kürzung von Zahlungen wegen Beanstandungen ist nur mit unserer Zustimmung gestattet.
- Kleinbestellungen unter CHF 200.--, werden mit einem Minimalrechnungsbetrag von CHF 20.-- belastet.

7. Gewährleistung

- Auf neue Produkte gewähren wir für von uns zu vertretende Mängel eine Garantie für die Dauer von zwölf Monaten ab Lieferdatum. Ausgenommen von dieser Garantieleistung sind alle Verschleissstücke wie z. B. Dichtungsteile, Kugellager etc. Bei Vornahme unsachgemässer Reparaturen durch den Käufer selbst oder durch Dritte erlischt die Garantie. Es steht uns frei, nach unserer Wahl kostenlos Ersatz oder Nachbesserung oder einen angemessenen Preisnachlass zu gewähren. Weitgehende Ansprüche des Käufers sind, insbesondere auf Schadensersatz oder Vertragsauflösung wegen Schäden, die sich aus dem Einbau der Ware ergeben, gleichgültig auf welcher Rechtsgrundlage sie geltend gemacht werden, ausdrücklich ausgeschlossen. Die Garantie beginnt ab Auslieferungsdatum, welches auf der Rechnung vermerkt ist. Mängel der Waren müssen uns unverzüglich; offensichtliche Mängel spätestens innerhalb einer Woche nach ihrer Erkennbarkeit, schriftlich angezeigt werden. Wird dies unterlassen, ist jegliche Gewährleistung ausgeschlossen. Rücksendungen werden nur vorbehaltlich unserer Prüfung angenommen. Rücksendungen von Neu-, Gebrauch- bzw. Defektwaren haben an die Mosmatic AG, Oberhelfenschwilerstr. 6, CH-9126 Necker frei Haus zu erfolgen. Rücksendungen können, sofern nichts Abweichendes vereinbart ist, nur dann von uns bearbeitet werden, wenn der Rücksendung ein RMA (Return Material Authorisation) -Rücksendungs-Formular beiliegt, auf dem die RMA- und die Kundennummer angegeben sind. Dieses RMA-Rücksendungs-Formular und die RMA-Nummer erhält der Kunde auf schriftliche oder telefonische Anforderung bei MOSMATIC AG. Die RMA-Nummer hat eine Gültigkeitsdauer von 30 (Dreissig) Tagen. Wird die Ware nicht innerhalb dieser Frist zurückgesendet, erlischt die Nummer und eine neue muss angefordert werden. Die Bekanntgabe der RMA-Nummer bedeutet auf keinen Fall eine Anerkennung eines Mangels oder der sonstigen Beanstandung des Kunden. In jedem Fall erfolgt die Rücksendung, auch die des zufälligen Untergangs, auf Gefahr des Kunden. Bei Rücksendungen, die der Kunde zu vertreten hat, insbesondere, aber nicht ausschließlich, im Falle von Annahmeverweigerungen, werden wir eine Wiedereinlagerungspauschale berechnen. Bei Rücksendungen von ungebräuchter Ware in Originalverpackung berechnen wir keine Kosten. Bei Rücksendungen von ungebräuchter Ware in beschädigter oder ohne Originalverpackung, sowie Ware die nicht ab Lager lieferbar ist, berechnen

wir 15% Einlagerungskosten vom Bruttoverkaufspreis. Kundenspezifische, bzw. nach Kundenangaben erstellte und/oder beschaffte Ware wird nicht zurückgenommen.

8. Haftung

- Soweit sich nachstehend nichts anderes ergibt, sind weitergehende Ansprüche des Bestellers, gleich aus welchen Rechtsgründen ausgeschlossen.
- Sofern wir fahrlässig eine vertragswesentliche Pflicht verletzen und unsere Haftung in Frage kommt ist unsere Ersatzpflicht für Sach- oder Personenschäden auf die Ersatzleistung unserer Produkthaftpflichtversicherung beschränkt.

9. Erfüllungsort, Gerichtsstand, Recht

- Erfüllungsort für Leistungen von Käufer und Verkäufer ist Necker, SG, Schweiz.
- Bei Streitigkeiten, auch soweit sie die Wirksamkeit des Vertrages oder dieser Allgemeinen Verkaufs- und Lieferbedingungen betreffen, ist Gerichtsstand Oberhelfenschwil, SG, Schweiz.

Allgemeine Hinweise

- Mit dem Erscheinen dieses Kataloges verlieren alle bisherigen Kataloge ihre Gültigkeit.
- Wir behalten uns das Recht vor, jederzeit und ohne Ankündigung technische Verbesserungen vorzunehmen.
- Bei Spezialausführungen, welche nach Kundenwunsch hergestellt werden, kann keine Verantwortung über deren Wirkungsweise übernommen werden.
- Alle Daten und Abmessungen gelten nur als verbindlich bei schriftlicher Bestätigung durch die Mosmatic AG.
- Mosmatic AG beliefert ausschliesslich den Fachhandel.
- Druckfehler sind vorbehalten.

Datenspeicherung / Datenschutzbestimmungen

- Um einen ordnungsgemässen kaufmännischen Ablauf zu gewährleisten, müssen wir personen- und firmenbezogene Daten unserer Kunden, unter Berücksichtigung der gesetzlichen Datenschutzbestimmungen, speichern und verarbeiten.

Für Ihre Sicherheit

- Alle Produkte, die mit Hochdruck betrieben werden, dürfen nicht ungeschützt verwendet werden (Personenschutz: wie Schutzbrillen, Handschuhe, usw.). Bei Verwendung unserer Produkte gelten die Sicherheitsrichtlinien (Unfallverhütungsvorschriften) des Herstellers von Hochdruckgeräten.
- Düsenbefestigung laut Angaben des Düsenherstellers.
- Mosmatic Produkte sollten nur von erfahrener Hochdruck-Reinigungs-fachpersonal installiert werden. Die Verantwortung für einen sicheren und effektiven Gebrauch liegt beim Installateur.

© 2012 Mosmatic AG





MOSMATIC AG
Oberhelfenschwilerstrasse 6
CH-9126 Necker, Switzerland
Tel. +41 (0)71 375-6464
Fax +41 (0)71 375-6460
Email sales@mosmatic.com

MOSMATIC Corporation
8313-196th Ave. P.O.Box 400
BRISTOL, WI 53104-0400 USA
Phone 1-800-788-9880
Fax 262-857-2421
Email swivels@mosmatic.com

Internet www.mosmatic.com